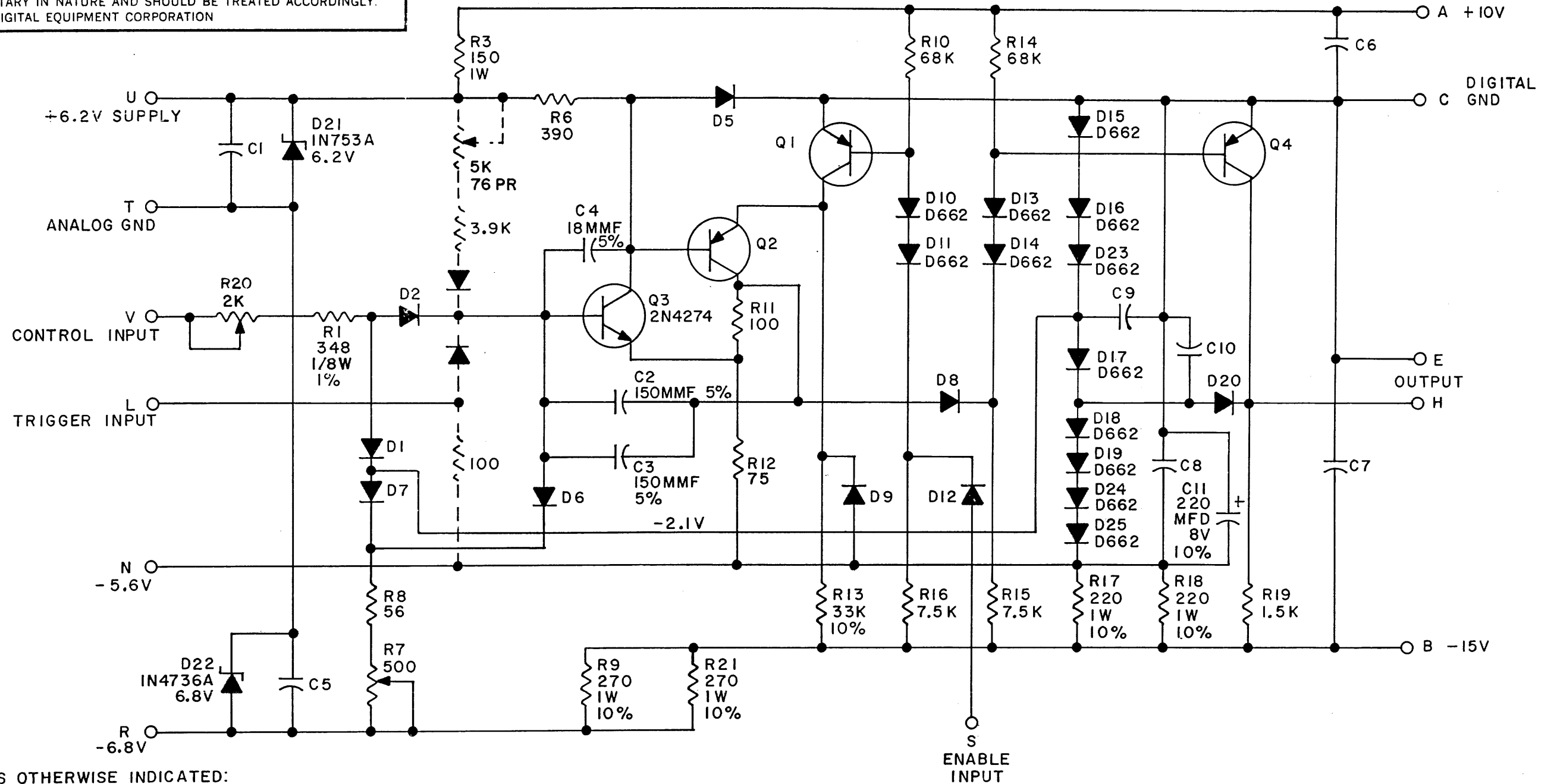


THIS SCHEMATIC IS FURNISHED ONLY FOR TEST AND MAINTENANCE PURPOSES. THE CIRCUITS ARE PROPRIETARY IN NATURE AND SHOULD BE TREATED ACCORDINGLY. COPYRIGHT 1969 BY DIGITAL EQUIPMENT CORPORATION



UNLESS OTHERWISE INDICATED:
 RESISTORS ARE 1/4W, 5%
 DIODES ARE D664
 TRANSISTORS ARE DEC4258
 DOTTED COMPONENTS ARE OPTIONAL
 CAPACITORS ARE .01 MFD, 100V, 20%
 R7, R20 ARE 76PR HELITRIM POT, 3/4W, 10%

REVISIONS CHK CHG NO. REV. C D 00001 00002	DRN. <i>M. Waller</i>	DATE 7-11-69	TRANSISTOR & DIODE CONVERSION CHART		digital EQUIPMENT CORPORATION MAYNARD, MASSACHUSETTS	TITLE VFO CLOCK B410				
	CHK'D	DATE	DEC	EIA		SIZE B	CODE CS	NUMBER B410-0-1	REV. D	
	ENG. <i>C. W. S. Fo</i>	DATE 9/11/69	D662	IN645		DEC4258	SAME			
	PROD.	DATE	D664	IN3606		2N4274	SAME			
			IN753A	SAME						
			IN4736A	SAME						