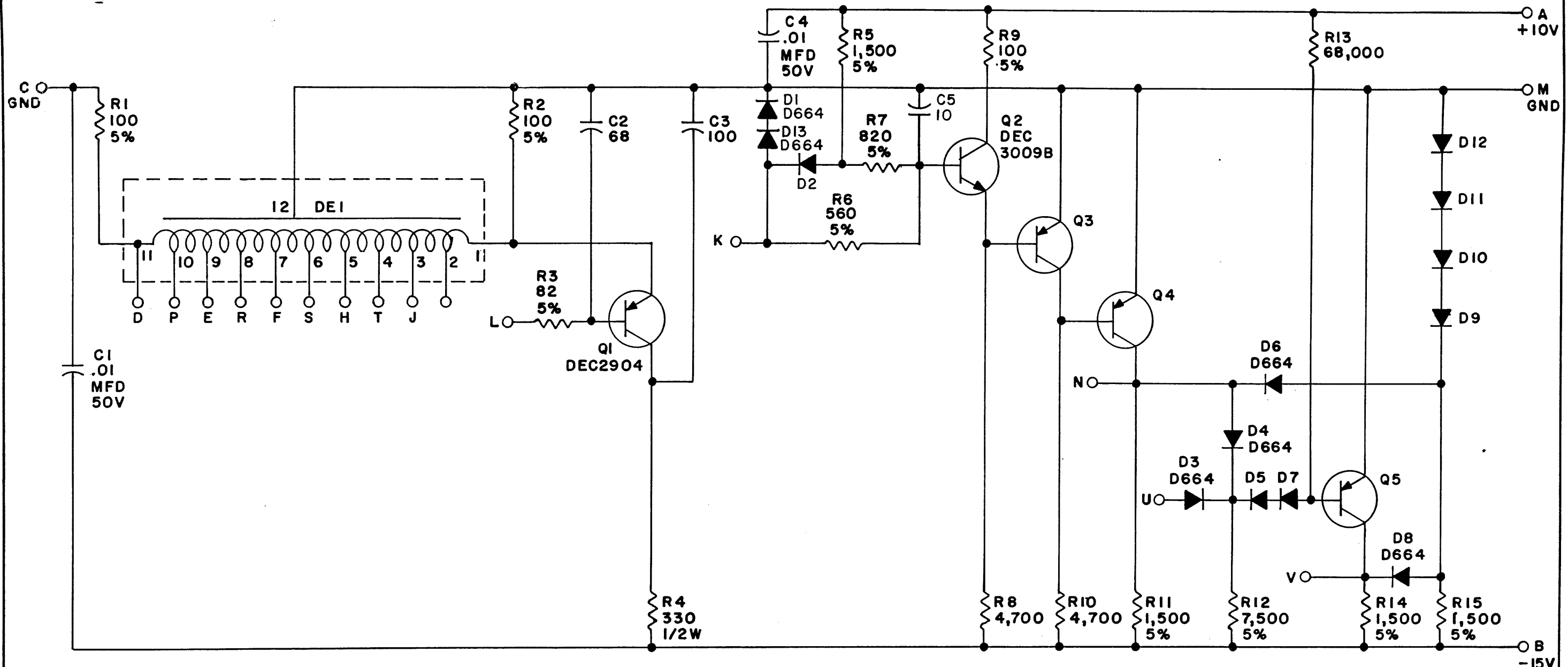
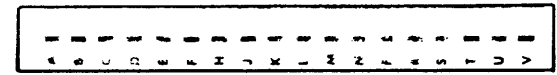


THIS SCHEMATIC IS FURNISHED ONLY FOR TEST AND MAINTENANCE PURPOSES. THE CIRCUITS ARE PROPRIETARY IN NATURE AND SHOULD BE TREATED ACCORDINGLY. COPYRIGHT 1966 BY DIGITAL EQUIPMENT CORPORATION



UNLESS OTHERWISE INDICATED:
 RESISTORS ARE 1/4W, 10%
 CAPACITORS ARE MMFD
 DIODES ARE D662
 TRANSISTORS ARE DEC3639B
 DEI IS A DEC 16-05529 DELAY
 LINE WITH 25NS TAPS OR EQUIVALENT
 PARTS LIST A-PL-B311-0-0



REVISIONS CHG NO. REV. 6211 A 6932 B	DRN. <i>M. Haller</i>	DATE 12-24-66	TRANSISTOR & DIODE CONVERSION CHART		digital EQUIPMENT CORPORATION MAYNARD, MASSACHUSETTS	TITLE TAPPED DELAY LINE B311			
	CHK'D	DATE	DEC	EIA		SIZE B	CODE CS	NUMBER B311-0-1	REV. B
	ENG.	DATE	DEC2904	2N1132					
	PROD.	DATE	DEC3009B	2N3009					
			DEC3639B	2N3639					
			D662	1N645					
			D664	1N3606					
						PRINTED CIRCUIT REV. D			

Pink D15-304/34/45/351