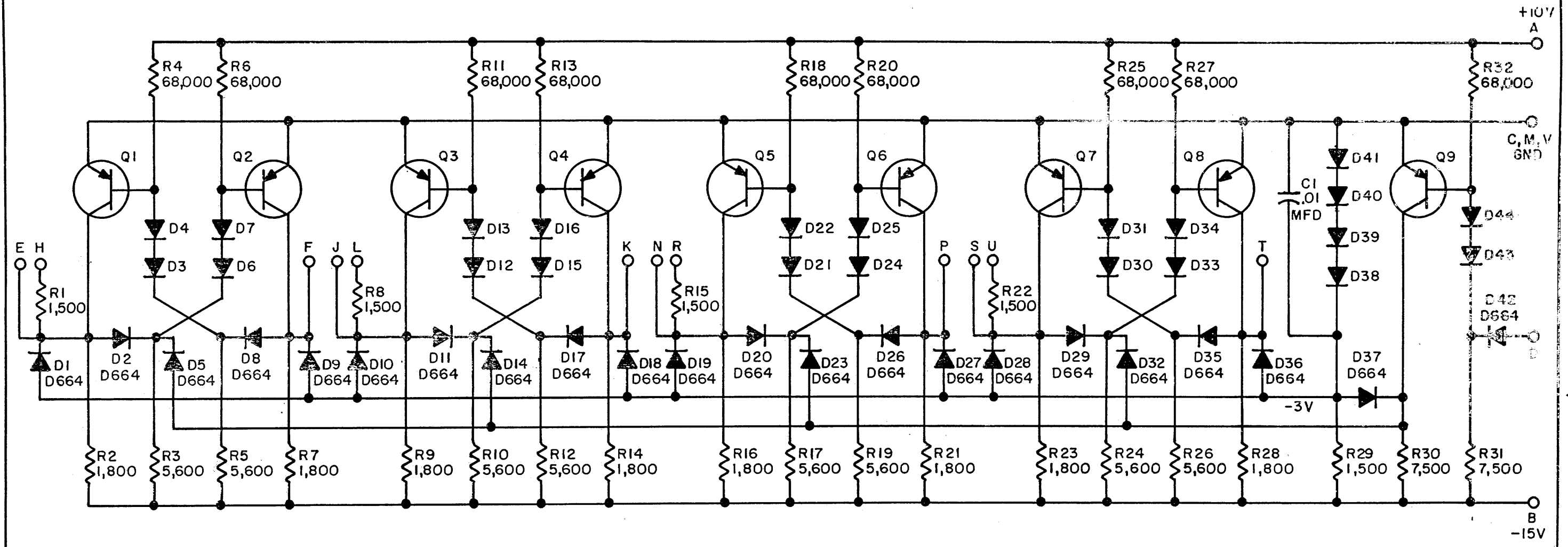


THIS SCHEMATIC IS FURNISHED ONLY FOR TEST AND MAINTENANCE PURPOSES. THE CIRCUITS ARE PROPRIETARY IN NATURE AND SHOULD BE TREATED ACCORDINGLY. COPYRIGHT 1967 BY DIGITAL EQUIPMENT CORPORATION



UNLESS OTHERWISE INDICATED:
 RESISTORS ARE 1/4W, 5%
 DIODES ARE D662
 TRANSISTORS ARE 2N4258



REVISIONS CHK CHG NO. REV.	DRN. <i>M. Haller</i>	DATE 6-5-67	TRANSISTOR & DIODE CONVERSION CHART				EQUIPMENT CORPORATION MAYNARD, MASSACHUSETTS	TITLE FOUR FLIP-FLOPS B214			
	CHK'D	DATE	DEC	EIA	DEC	EIA		SIZE B	CODE CS	NUMBER B214-0-1	REV.
	ENG. <i>R. Williams</i>	DATE 6/7/67									
	PROD.	DATE									
PRINTED CIRCUIT REV.						A					