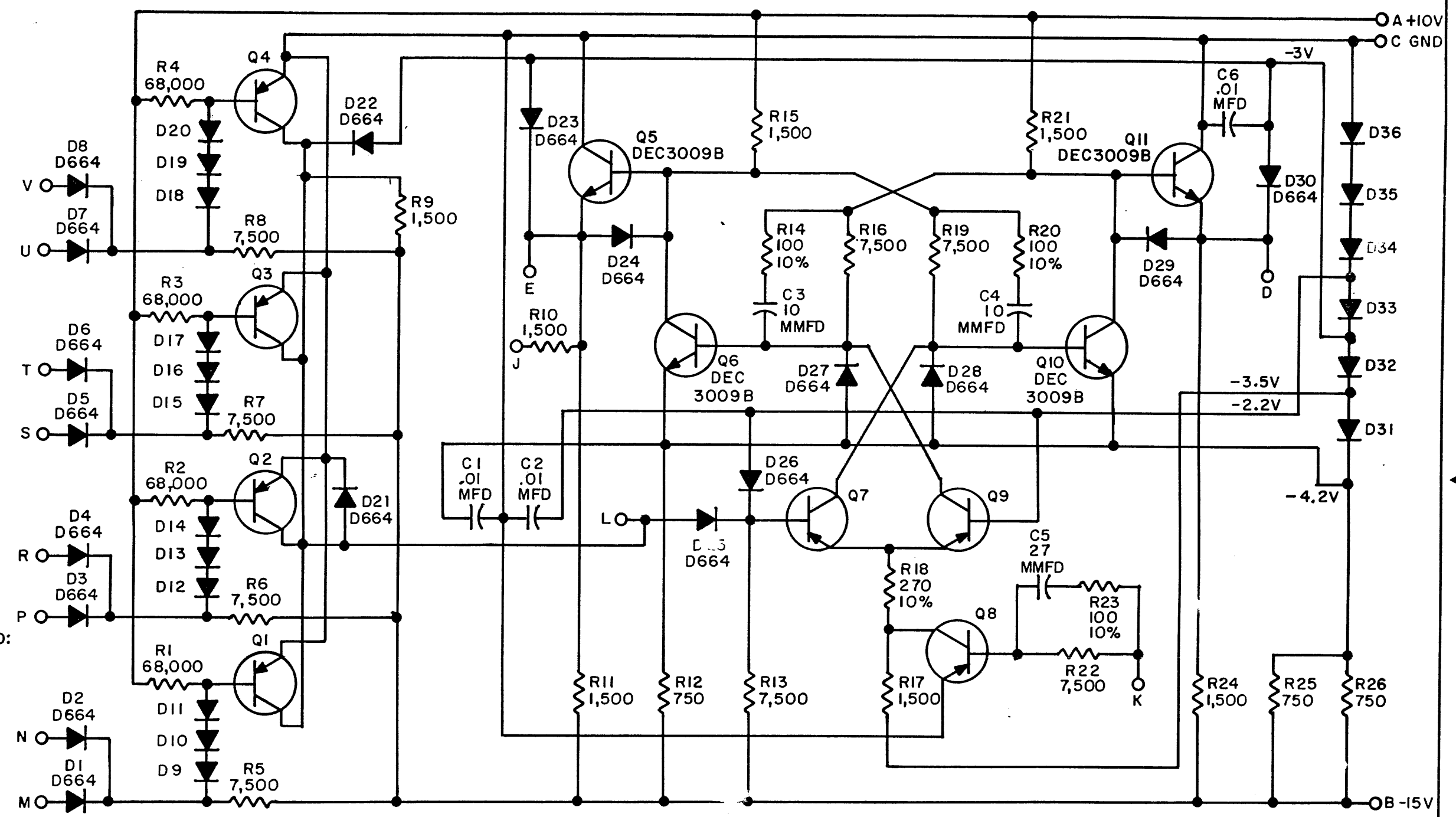


THIS SCHEMATIC IS FURNISHED ONLY FOR TEST AND MAINTENANCE PURPOSES. THE CIRCUITS ARE PROPRIETARY IN NATURE AND SHOULD BE TREATED ACCORDINGLY. COPYRIGHT 1965 BY DIGITAL EQUIPMENT CORPORATION



UNLESS OTHERWISE INDICATED:
 TRANSISTORS ARE 2N4258
 DIODES ARE D662
 RESISTORS ARE 1/4 W, 5%



| REV. NO. | CHK | CHG | NO. | REV. | B | C | D | E | F | H |
|----------|-----|-----|-----|------|---|---|---|---|---|---|
| 6149 | | | | | | | | | | |
| 6295 | | | | | | | | | | |
| 6448 | | | | | | | | | | |

| | |
|----------------------|-----------------|
| DRN. I. HAHN | DATE 3-19-65 |
| CHK'D N. PERRYMAN | DATE 3-31-65 |
| ENG. TOM HUGHES | DATE |
| PROD. | DATE |

| TRANSISTOR & DIODE CONVERSION CHART | | | |
|-------------------------------------|--|--------|--|
| DEC | | EIA | |
| 2N4258 | | SAME | |
| DEC3009B | | 2N3009 | |
| D662 | | IN645 | |
| D664 | | IN3606 | |

digital
 EQUIPMENT CORPORATION
 MAYNARD, MASSACHUSETTS

| | | | |
|-------------------------|------------|--------------------|-----------|
| TITLE FLIP-FLOP B211 | | | |
| SIZE B | CODE CS | NUMBER B211-0-1 | REV. H |
| PRINTED CIRCUIT REV. | | | E |

