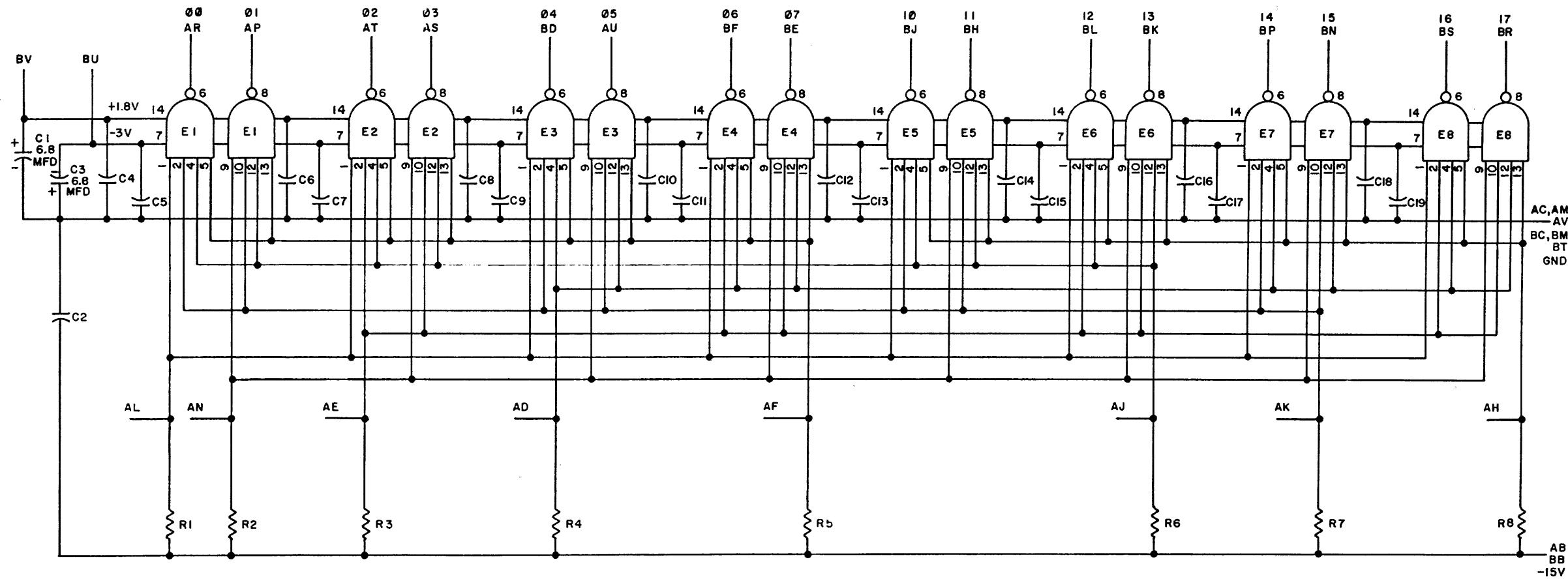


THIS SCHEMATIC IS FURNISHED ONLY FOR TEST AND MAINTENANCE PURPOSES. THE CIRCUITS ARE PROPRIETARY IN NATURE AND SHOULD BE TREATED ACCORDINGLY. COPYRIGHT 1967 BY DIGITAL EQUIPMENT CORPORATION



UNLESS OTHERWISE INDICATED:  
CAPACITORS ARE .01 MFD

RESISTORS ARE 1,500; 1/4 W; 5%  
E1 THRU E8 ARE TEXAS INSTRUMENT SN7440N  
OR FAIRCHILD U6A900959X



REV. NUMBER  
CS B199-0-1

REVISIONS CHK CHG NO. REV.	DRN. <i>M. Haller</i> DATE <i>3-2-67</i>	TRANSISTOR & DIODE CONVERSION CHART				<b>digital</b> EQUIPMENT CORPORATION MAYNARD, MASSACHUSETTS	TITLE FM ADDRESS DECODER B199			
	CHK'D. DATE	DEC	EIA	DEC	EIA		SIZE C	CODE CS	NUMBER B199-0-1	REV.
	ENG. DATE	DEC	EIA	DEC	EIA		PRINTED CIRCUIT REV.	B	[ ]	[ ]
	PROD. DATE	DEC	EIA	DEC	EIA		[ ]	[ ]	[ ]	[ ]