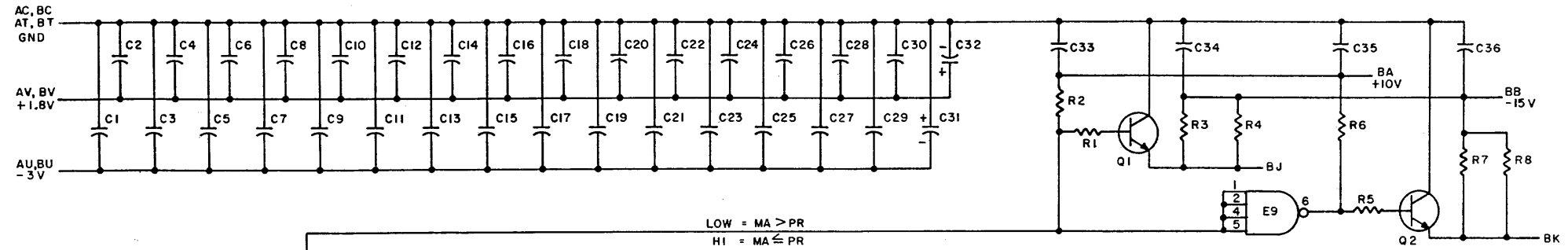
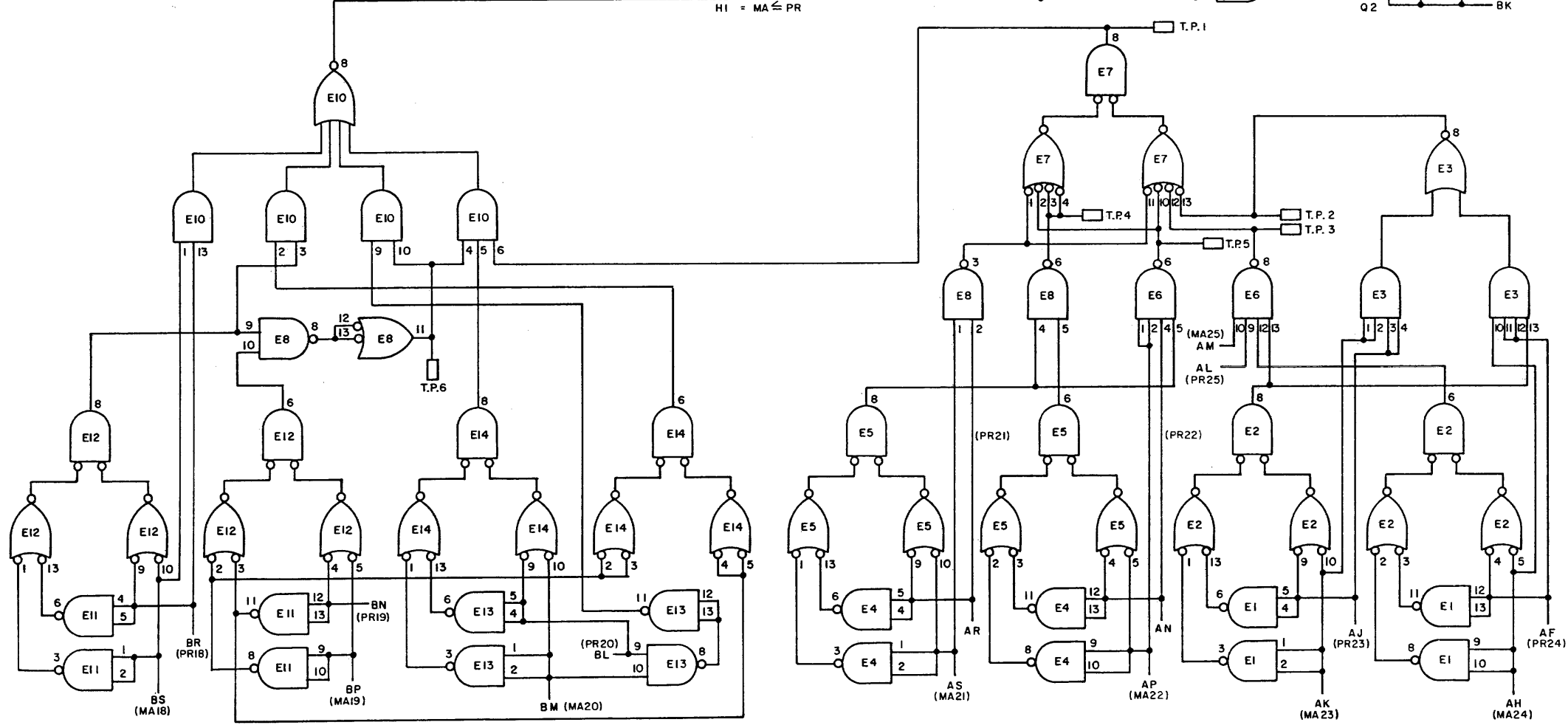


THIS SCHEMATIC IS FURNISHED ONLY FOR TEST AND MAINTENANCE PURPOSES. THE CIRCUITS ARE PROPRIETARY IN NATURE AND SHOULD BE TREATED ACCORDINGLY. COPYRIGHT 1968 BY DIGITAL EQUIPMENT CORPORATION.



LOW = MA > PR
HI = MA ≤ PR



NOTES:
PIN 7 ON EACH IC = -3V
PIN 14 ON EACH IC = +1.8V

E3, E7	INTEGRATED CKT. DEC74H55N	1909063
E10	INTEGRATED CKT. DEC74H53N	1909062
E2, E5, E12, E14	INTEGRATED CKT. DEC74H50N	1909060
E6, E9	INTEGRATED CKT. DEC74H40N	1905586
E1, E4, E8, E11, E13	INTEGRATED CKT. DEC74H00N	1909056
Q1, Q2	TRANSISTOR DEC3009B-S	1503100
R2, R3, R4, R6, R7, R8	RES. 1.5K 1/4W 5% CC	1300391
R1, R5	RES. 100 1/4W 5% CC	1300229
C31, C32	CAP. 6.8MFD 35V 20% S.T.M	1000067
C1-C30, C33-C36	CAP. .01MFD 100V 20% DISC	100610
PARTS LIST		A-PL-B198-0-0
REFERENCE DESIGNATION	DESCRIPTION	PART NO.

REV. NO.	DATE	DESIGNED	DATE	TRANSISTOR & DIODE CONVERSION CHART	TITLE	
1	6-18-68	M. Walker	12/68	DEC EIA DEC EIA	PROTECTION COMPARATOR B198	
2	12/68	M. Walker	12/68	DEC3009B 2N3009	SIZE	NUMBER
3	12/68	M. Walker	12/68		D CS	B198-0-1
4	12/68	M. Walker	12/68		PRINTED CIRCUIT REV.	A

REV. NUMBER
D CS B198-0-1