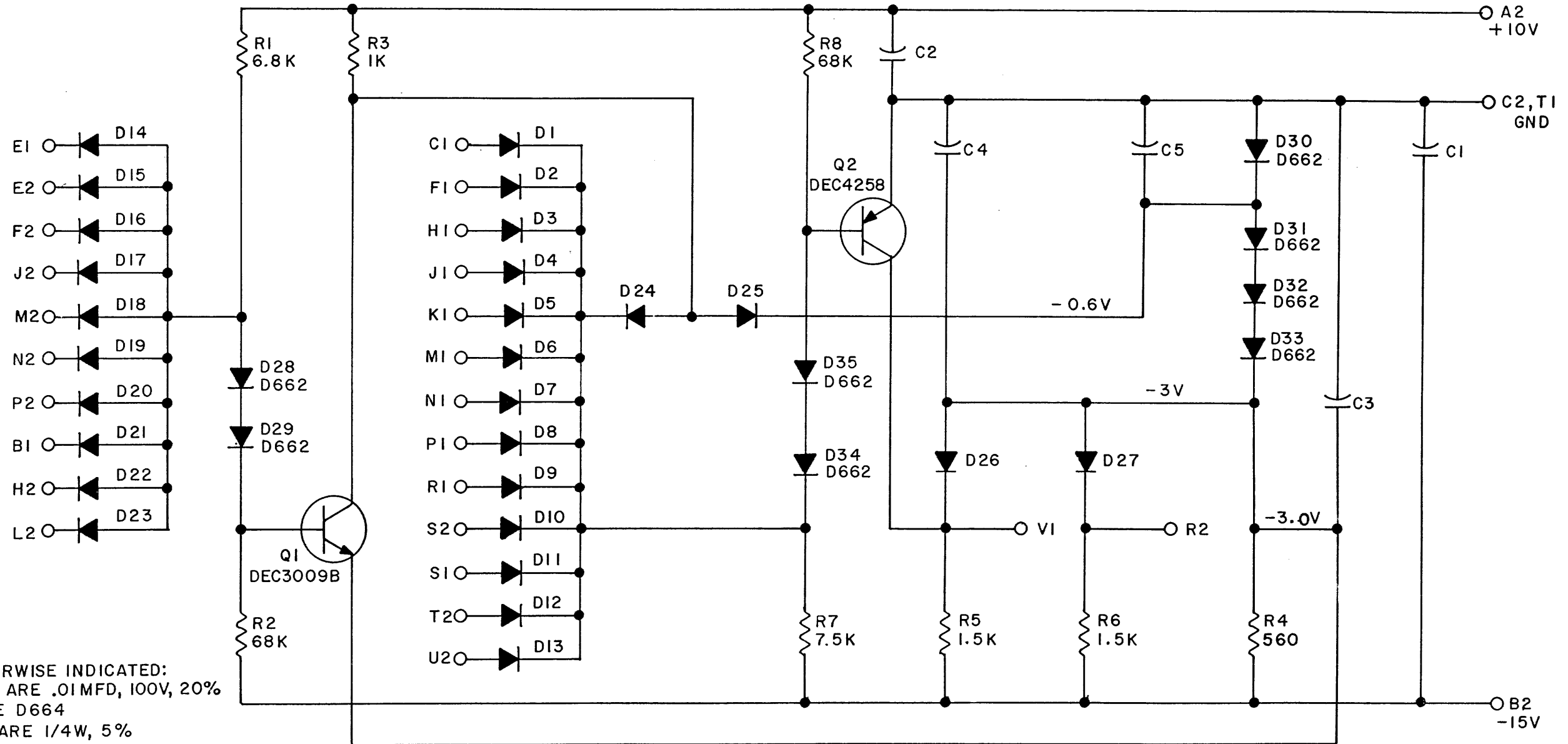


THIS SCHEMATIC IS FURNISHED ONLY FOR TEST AND MAINTENANCE PURPOSES. THE CIRCUITS ARE PROPRIETARY IN NATURE AND SHOULD BE TREATED ACCORDINGLY. COPYRIGHT 1969 BY DIGITAL EQUIPMENT CORPORATION

↓ B REV. NUMBER B173-0-1 SIZE CODE B CS



UNLESS OTHERWISE INDICATED:
CAPACITORS ARE .01MFD, 100V, 20%
DIODES ARE D664
RESISTORS ARE 1/4W, 5%

REVISIONS	CHK	NO.	REV.			DRN. <i>M. J. Miller</i>	DATE 10-21-69	TRANSISTOR & DIODE CONVERSION CHART					TITLE DIODE GATE B173			
	00001	A						DEC	EIA	DEC	EIA		SIZE	CODE	NUMBER	REV.
	00002	B						D662	IN645				B	CS	B173-0-1	B
								D664	IN3606				PRINTED CIRCUIT REV. A			
						DEC3009B	2N3009			MAYNARD, MASSACHUSETTS						
						PROD.	DATE									