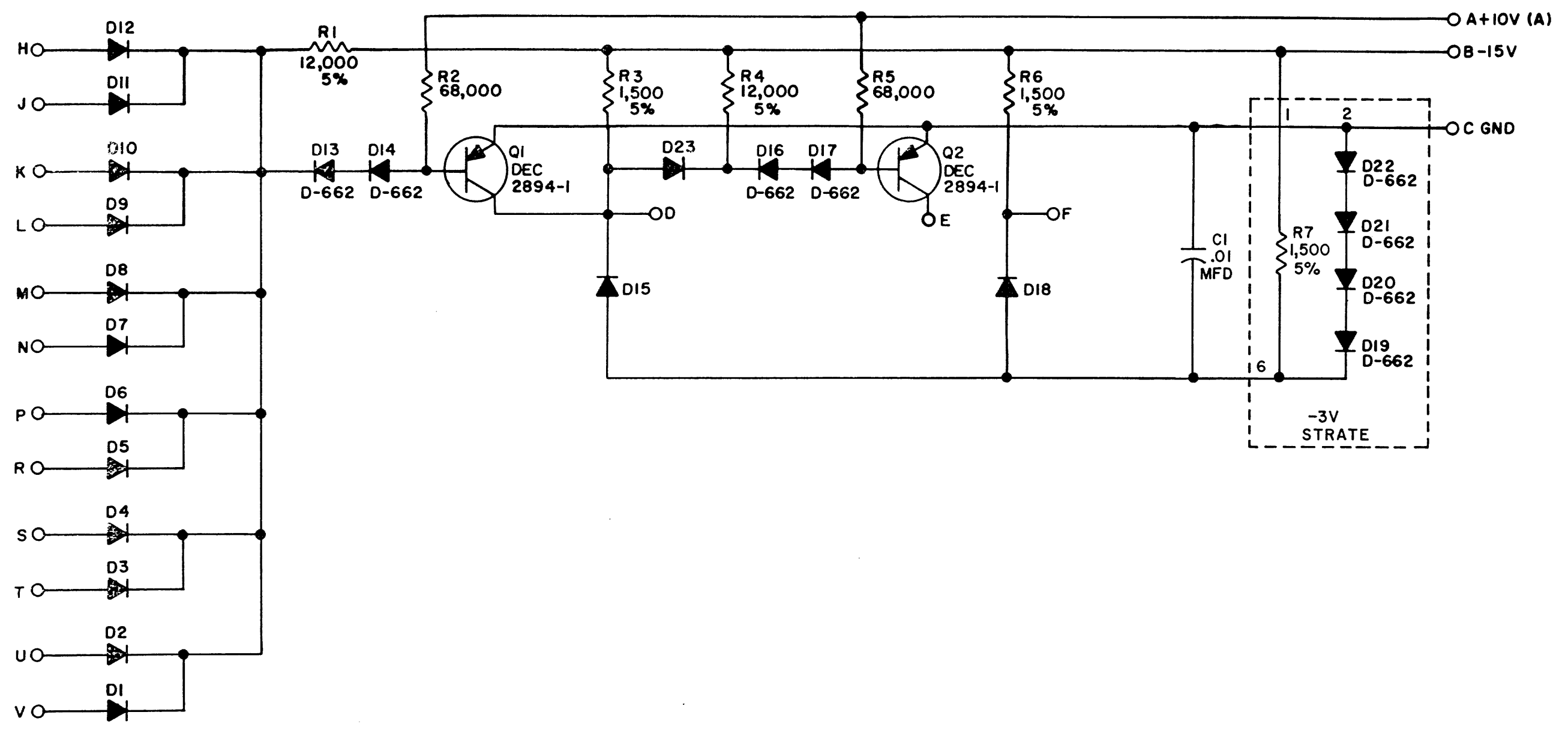


THIS SCHEMATIC IS FURNISHED ONLY FOR TEST AND MAINTENANCE PURPOSES. THE CIRCUITS ARE PROPRIETARY IN NATURE AND SHOULD BE TREATED ACCORDINGLY. COPYRIGHT 1964 BY DIGITAL EQUIPMENT CORPORATION



UNLESS OTHERWISE INDICATED;  
 RESISTORS ARE 1/4W; 10%  
 CAPACITORS ARE MMFD  
 DIODES ARE D-664



REVISIONS CHK CHG NO   REV REV 8   REDR. 5389   C	DRN. A. OUELLETTE	DATE 6-24-64	TRANSISTOR & DIODE CONVERSION CHART				<b>digital</b> EQUIPMENT CORPORATION MAYNARD, MASSACHUSETTS	TITLE DIODE GATE BI71			
	CHK'D N. PERRYMAN	DATE 6-25-64	DEC	EIA	DEC	EIA		SIZE B	CODE CS	NUMBER BI71-0-1	REV. C
	ENG. R. BANK	DATE 6-25-64	DEC2894-1	NONE				PRINTED CIRCUIT REV. C			
	PROD. I	DATE	D662	IN645							
			D664	IN3606							