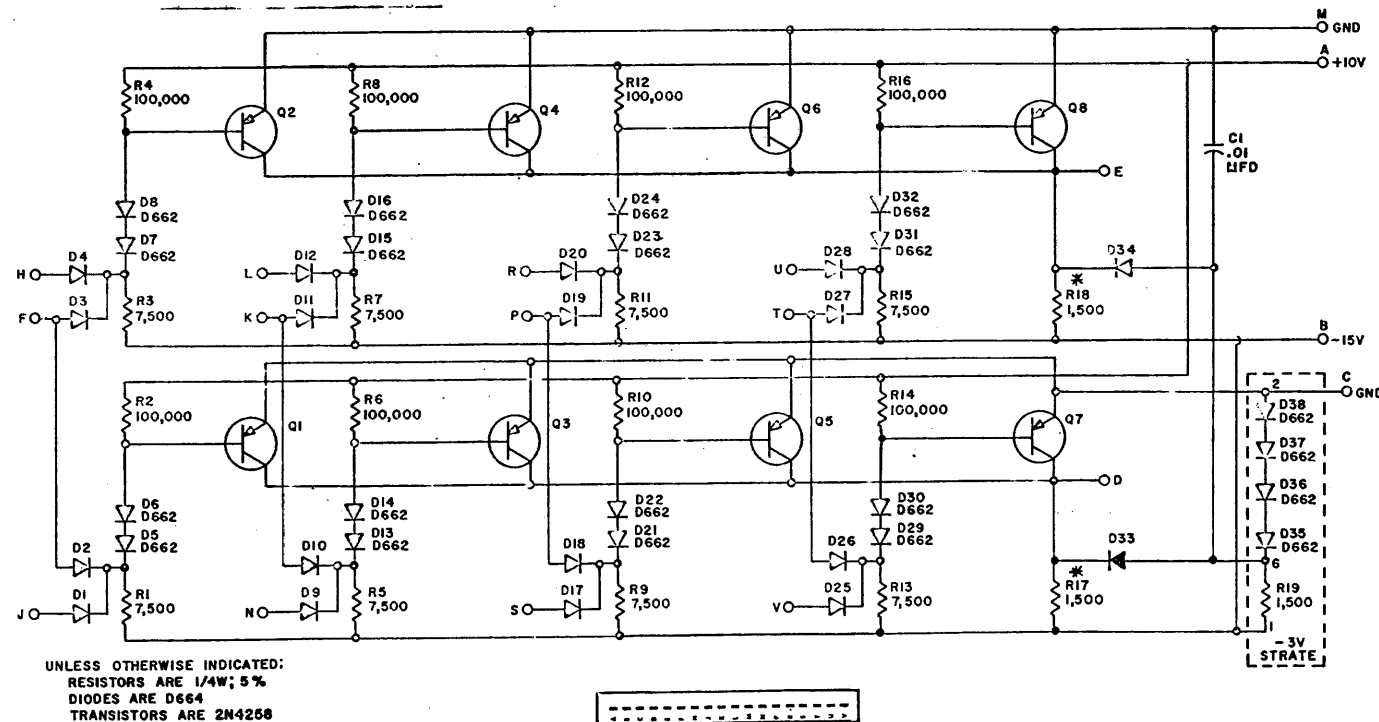
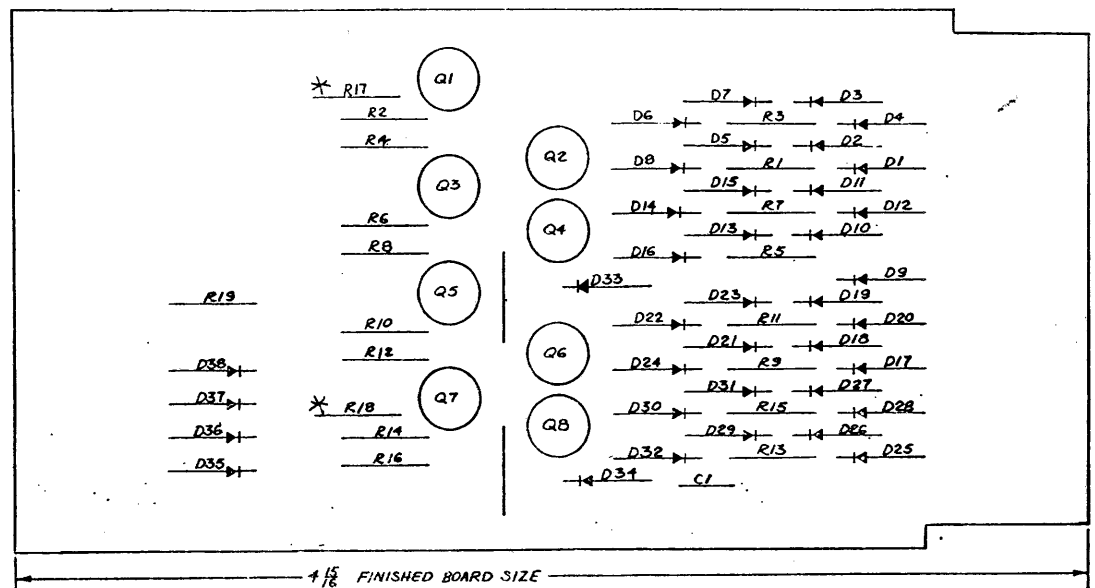


This drawing and specifications, herein, are the property of Digital Equipment Corporation and shall not be reproduced or copied or used in whole or in part as the basis for the manufacture or sale of items without written permission.



UNLESS OTHERWISE INDICATED:
RESISTORS ARE 1/4W; 5%
DIODES ARE D664
TRANSISTORS ARE 2N4258

NOTES
* THESE RESISTORS ARE DELETED ON B169-YA

QTY	REF DESIGNATION	DESCRIPTION	PART NO.	ITEM NO.
2		EYELET	9006732	13
8	Q1-Q8	TRANSISTOR DEC4258	1505221	12
8	R2,4,6,8,10,12,14,16	RESISTOR 100K 1/4W 5%	1302466	11
8	R1,3,5,7,9,11,13,15	RESISTOR 7.5K 1/4W 5%	1301422	10
3	R17-R19	RESISTOR 1.5K 1/4W 5%	1300391	9
18	D1-D4, D9-D12, D17-D20, D25-D28, D33, D34	DIODE D664	1100114	8
20	D5-D8, D13-D16, D21-D24, D29-D32, D35-D38	DIODE D662	1100113	7
1	C1	CAP. 0.1MF 100V 20% DISC	1001610	6
1		HANDLE FLIPCHIP-BLUE	9008337-5	5
1		ETCHED CIRCUIT BOARD	5003781	4
REF		MODULE ECO HISTORY	B-MH-B169-0-6	3
REF		ASSY/DRILLING HOLE CUTOUT	D-AH-B169-0-5	2
REF		X-Y COORDINATE HOLE LOCATION	K-CO-B169-0-4	1

PARTS LIST				
ETCH BOARD REV	B			

DRN	DATE	12-7-72	
CHKD	DATE	12-7-72	
ENG	DATE	12-1-72	
PROJ. ENG.	DATE	12-1-72	
PROD.	DATE	12-1-72	
NEXT HIGHER ASSY			
TITLE		INVERTER	
SIZE CODE		DCS B169-0-1	
SCALE		REV. D	
SHEET 1 OF 1		DIST.	

SEMICONDUCTOR CONVERSION CHART