

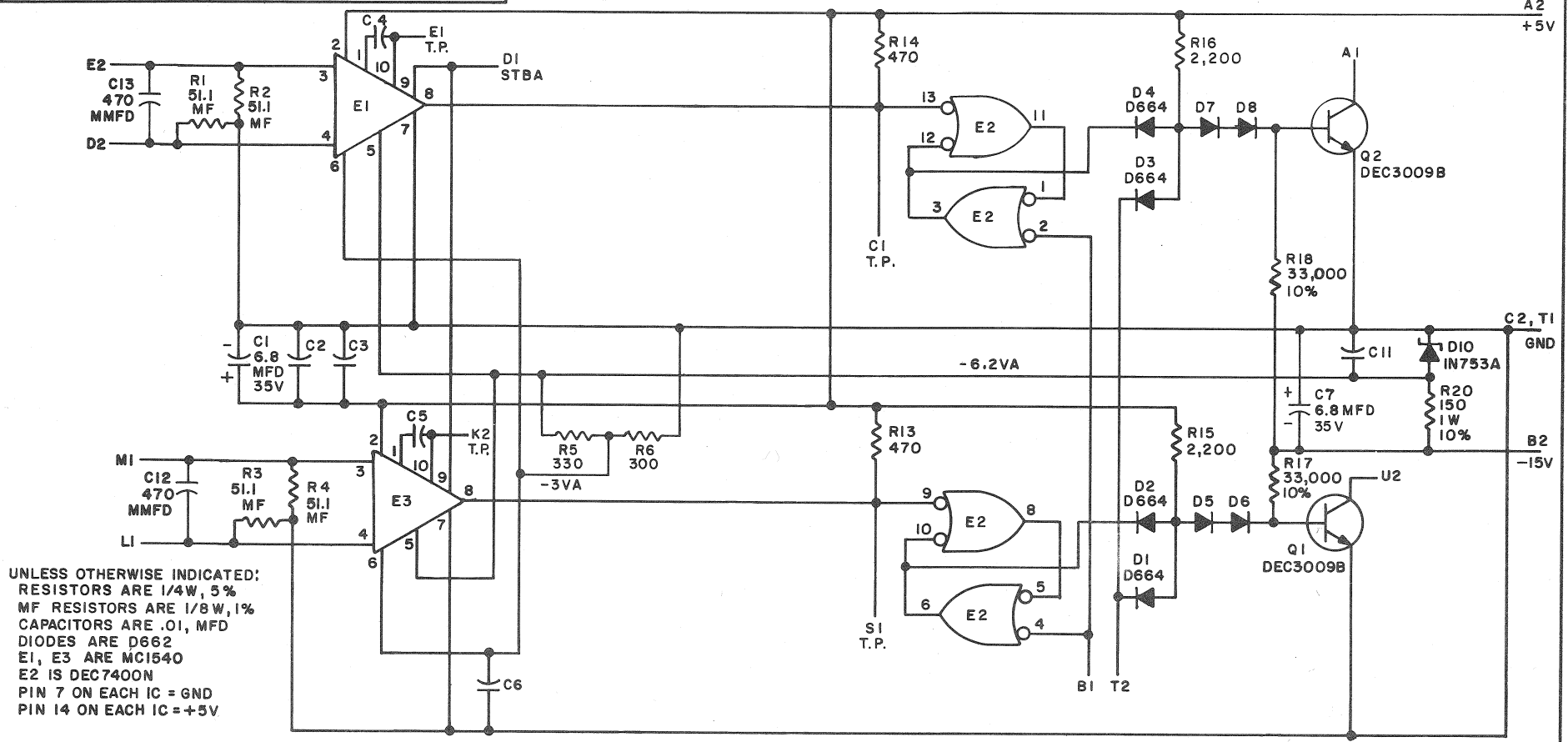
digital

**REPLACEMENT
SCHEMATICS**

PDP-8/L

REV D NUMBER 6020-0-1 CS B SIZE CODE E2

THIS SCHEMATIC IS FURNISHED ONLY FOR TEST AND MAINTENANCE PURPOSES. THE CIRCUITS ARE PROPRIETARY IN NATURE AND SHOULD BE TREATED ACCORDINGLY. COPYRIGHT 1967 BY DIGITAL EQUIPMENT CORPORATION



UNLESS OTHERWISE INDICATED:
 RESISTORS ARE 1/4W, 5%
 MF RESISTORS ARE 1/8W, 1%
 CAPACITORS ARE .01, MFD
 DIODES ARE D662
 E1, E3 ARE MC1540
 E2 IS DEC7400N
 PIN 7 ON EACH IC = GND
 PIN 14 ON EACH IC = +5V

USE THE ETCH BOARD OF THE 6021

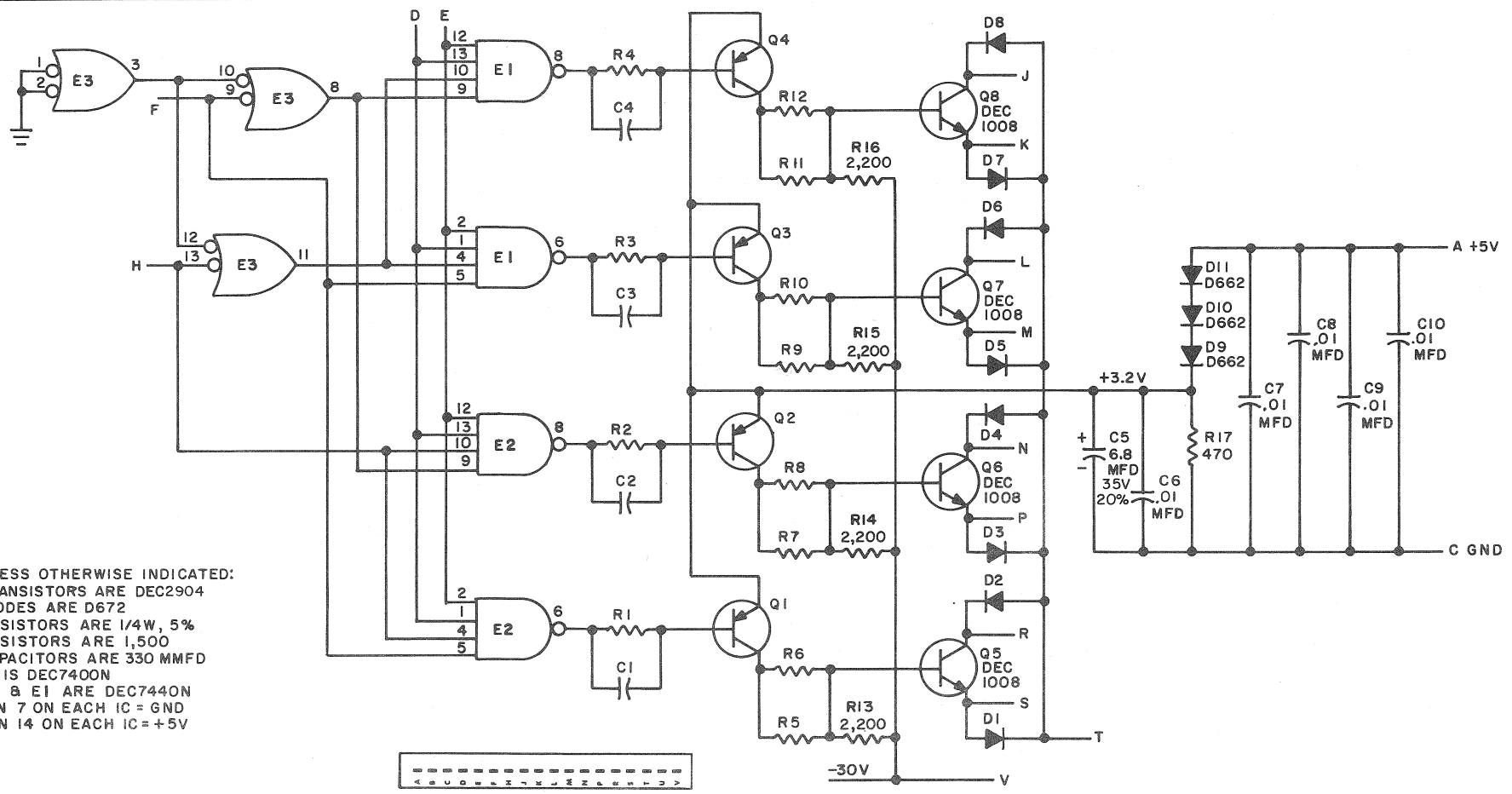
PARTS LIST IS A-PL-6020-0-0

REVISIONS	CHK	CHG	NO	REV	C	D	DRN	DATE	TRANSISTOR & DIODE CONVERSION CHART				digital	TITLE			
00001							<i>M. Waller</i>	7-18-67	DEC	EIA	DEC	EIA		SENSE AMP. 6020			
00002							<i>K. Long</i>	8-16-67	DEC3009B	2N3009			EQUIPMENT CORPORATION	SIZE	CODE	NUMBER	REV.
							2		D662	IN645			MAYNARD, MASSACHUSETTS	B	CS	6020-0-1	D
									D664	IN3606				PRINTED CIRCUIT REV. E			
									IN753A	SAME				DIST. 324 434 435			PINK

DEC FORM NO DRB 102

REV. C
 NUMBER G221-0-1
 CODE B CS
 SIZE

THIS SCHEMATIC IS FURNISHED ONLY FOR TEST AND MAINTENANCE PURPOSES. THE CIRCUITS ARE PROPRIETARY IN NATURE AND SHOULD BE TREATED ACCORDINGLY. COPYRIGHT 1967 BY DIGITAL EQUIPMENT CORPORATION



UNLESS OTHERWISE INDICATED:
 TRANSISTORS ARE DEC2904
 DIODES ARE D672
 RESISTORS ARE 1/4W, 5%
 RESISTORS ARE 1,500
 CAPACITORS ARE 330 MMFD
 E3 IS DEC7400N
 E2 & E1 ARE DEC7440N
 PIN 7 ON EACH IC = GND
 PIN 14 ON EACH IC = +5V

PARTS LIST IS A-PL-G221-0-1

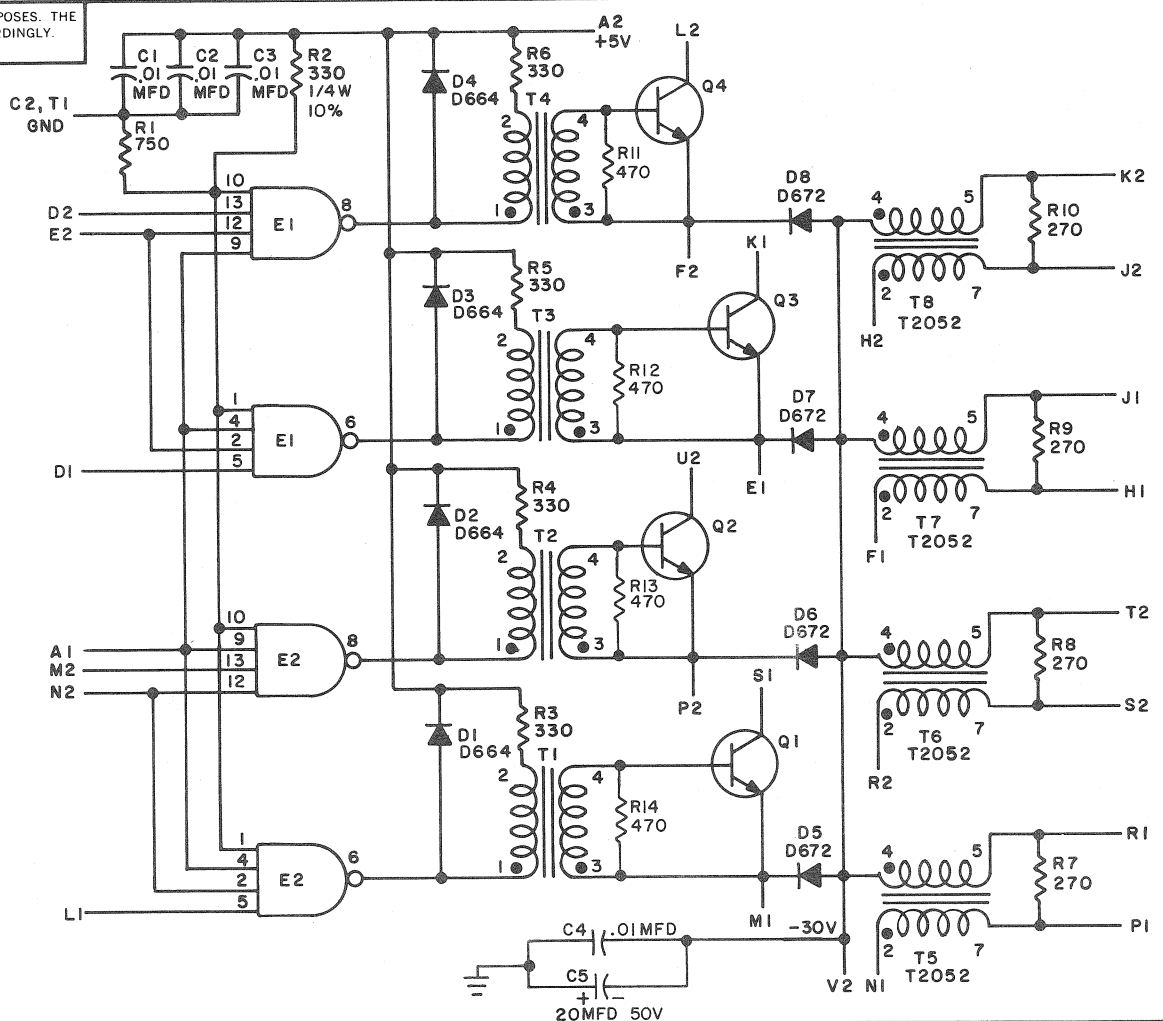
REVISIONS CHK CHG NO. REV. A 6451 B 6508 C 00001	DRN. <i>M. Waller</i>	DATE 4-3-67	TRANSISTOR & DIODE CONVERSION CHART				digital EQUIPMENT CORPORATION MAYNARD, MASSACHUSETTS	TITLE MEMORY SELECTOR G221
	CHK'D <i>[Signature]</i>	DATE 5-3-67	DEC	EIA	DEC	EIA		SIZE B CS
	ENG. <i>[Signature]</i>	DATE 5/15/67	DEC1008	MM1008				NUMBER G221-0-1
	PROD.	DATE	DEC2904	2N2904				REV. C
			D662	1N645			PRINTED CIRCUIT REV. A	
			D672	1N3653				

DEC FORM NO. DRB 102

DIST. 324 434 435
 PINK

B SIZE
 CS CODE
 G228-0-1 NUMBER
 REV. A

THIS SCHEMATIC IS FURNISHED ONLY FOR TEST AND MAINTENANCE PURPOSES. THE
 CIRCUITS ARE PROPRIETARY IN NATURE AND SHOULD BE TREATED ACCORDINGLY.
 COPYRIGHT 1967 BY DIGITAL EQUIPMENT CORPORATION

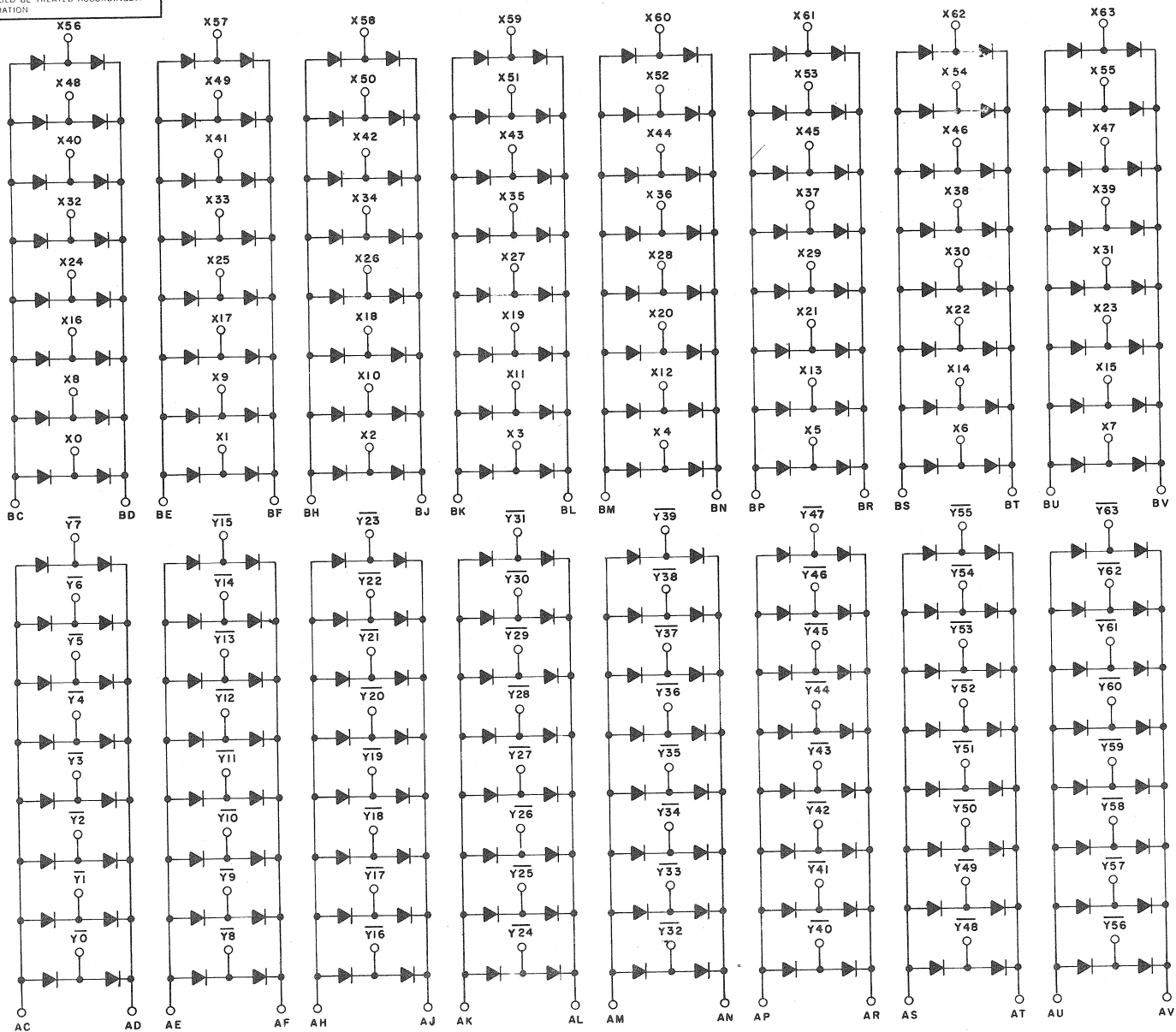


UNLESS OTHERWISE INDICATED:
 TRANSISTORS ARE DEC1008
 RESISTORS ARE 1/4W, 5%
 TRANSFORMERS ARE T2037
 IC'S ARE DEC7440N
 PIN 7 ON EACH IC = GND
 PIN 14 ON EACH IC = +5V

REVISIONS CHK CHG NO. REV 6452 A	DRN. <i>M. Waller</i>	DATE 4-4-67	TRANSISTOR & DIODE CONVERSION CHART				digital EQUIPMENT CORPORATION MAYNARD, MASSACHUSETTS	TITLE INHIBIT DRIVER G228			
	CHK'D. <i>[Signature]</i>	DATE <i>[Signature]</i>	DEC DEC1008	EIA MM1008	DEC D664	EIA IN3606		SIZE B	CODE CS	NUMBER G228-0-1	REV. A
	EWD. <i>[Signature]</i>	DATE 1/16/67	DEC D672	EIA IN3653	DEC D672	EIA IN3653		PRINTED CIRCUIT REV.	B	[]	[]
	PROD. <i>[Signature]</i>	DATE	DEC D672	EIA IN3653	DEC D672	EIA IN3653		[]	[]	[]	[]

DEC FORM NO.
 DRB 102

THIS SCHEMATIC IS FURNISHED ONLY FOR TEST AND MAINTENANCE PURPOSES. THE CIRCUITS ARE PROPRIETARY IN NATURE AND SHOULD BE TREATED ACCORDINGLY. COPYRIGHT 1966 BY DIGITAL EQUIPMENT CORPORATION



UNLESS OTHERWISE INDICATED:
DIODES ARE D672
USE D671 AS SUBSTITUTE

REVISIONS:
CHK'D
ENG
PROD

DRN
CHK'D
ENG
PROD

DATE
DATE
DATE
DATE

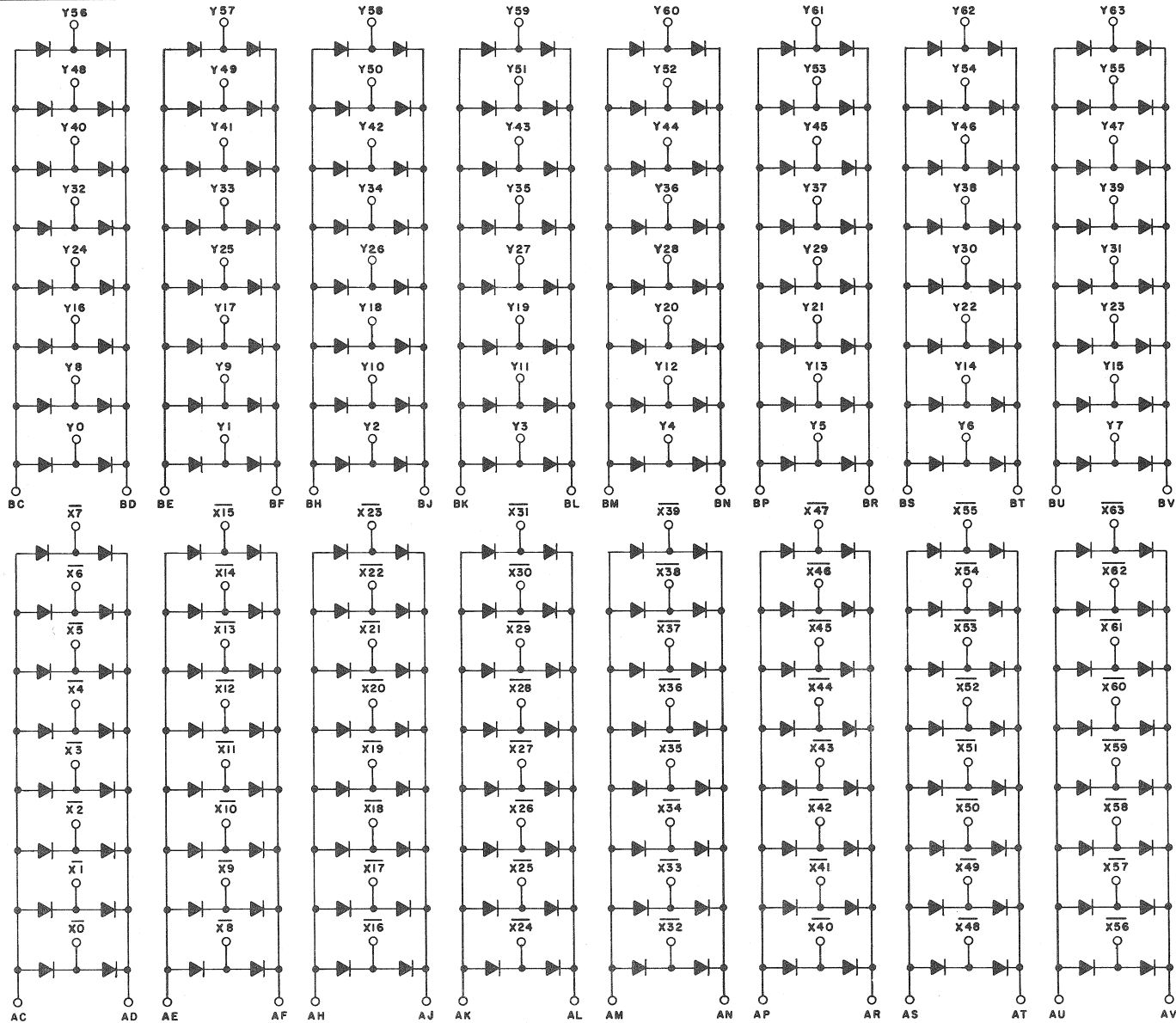
TRANSISTOR & DIODE CONVERSION CHART			
DEC	EIA	DEC	EIA
D672	1N3663		

digital
EQUIPMENT CORPORATION
MAYNARD, MASSACHUSETTS

TITLE
A-DIODE BOARD G610
SIZE CODE NUMBER REV
C CS G610-0-1
PRINTED CIRCUIT REV. A

REV. NUMBER G610-0-1

THIS SCHEMATIC IS FURNISHED ONLY FOR TEST AND MAINTENANCE PURPOSES. THE CIRCUITS ARE PROPRIETARY IN NATURE AND SHOULD BE TREATED ACCORDINGLY. COPYRIGHT 1966 BY DIGITAL EQUIPMENT CORPORATION



UNLESS OTHERWISE INDICATED:
DIODES ARE D672
USE D671 AS SUBSTITUTE

REVISIONS	CHK	CHK NO	REV.
	6108		A

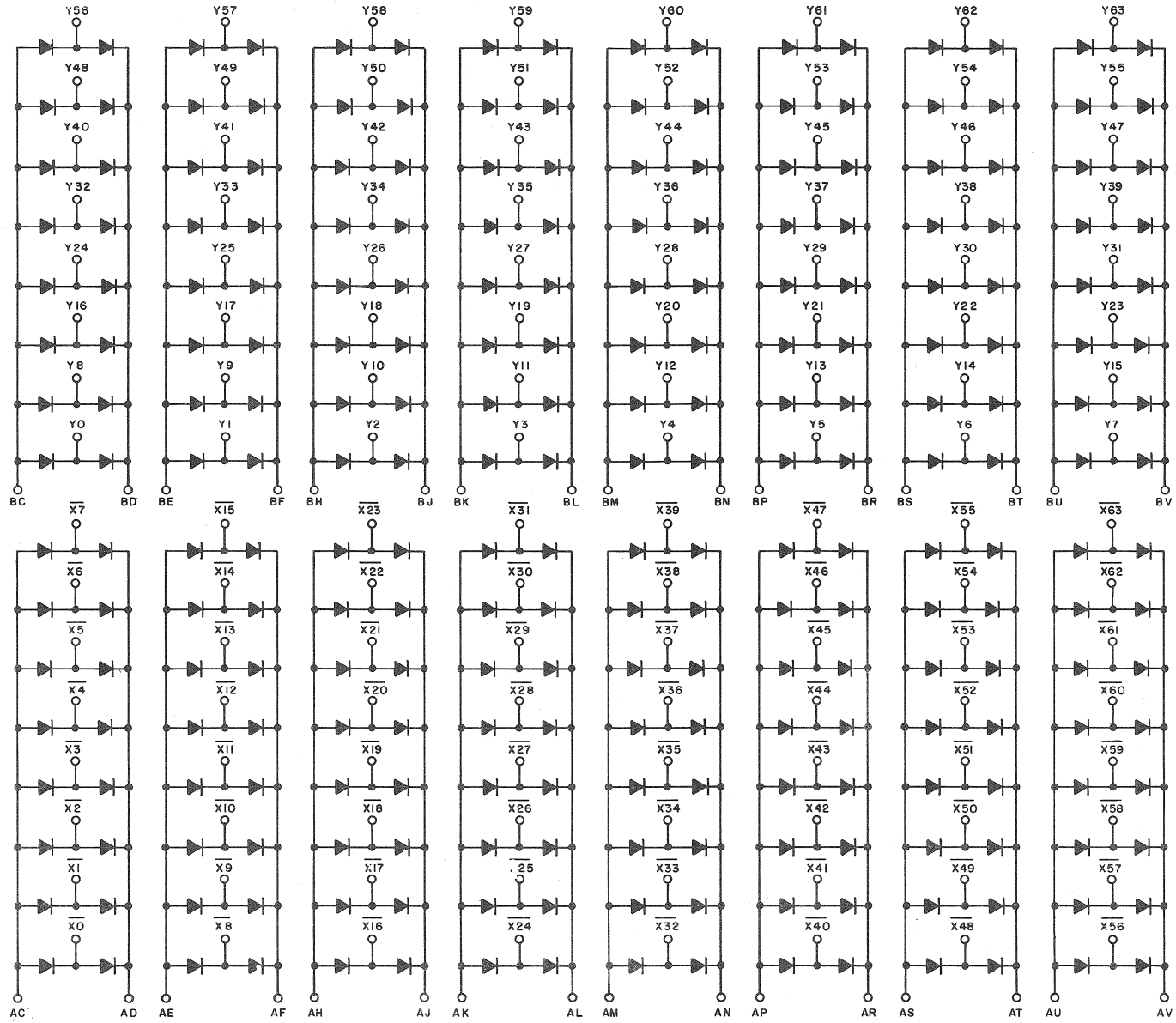
DRN	DATE
<i>W. Baller</i>	11-28-66
CHK'D	DATE
<i>W. Baller</i>	11/28/66
ENG.	DATE
<i>W. Baller</i>	11/30/66
PROD.	DATE

TRANSISTOR & DIODE CONVERSION CHART			
DEC	EIA	DEC	EIA
D672	1N3663		

digital EQUIPMENT CORPORATION MAYNARD, MASSACHUSETTS	TITLE	B-DIODE BOARD G611	
	SIZE	CODE	NUMBER
	C	CS	G611-0-1
PRINTED CIRCUIT REV.			REV. A

REV. A
NUMBER
G611-0-1
CS

THIS SCHEMATIC IS FURNISHED ONLY FOR TEST PURPOSES.
 CIRCUITS ARE PROPRIETARY IN NATURE AND ARE NOT TO BE REPRODUCED OR
 COPIED WITHOUT THE WRITTEN PERMISSION OF DIGITAL EQUIPMENT CORPORATION.



UNLESS OTHERWISE INDICATED:
 DIODES ARE D672
 USE D671 AS SUBSTITUTE

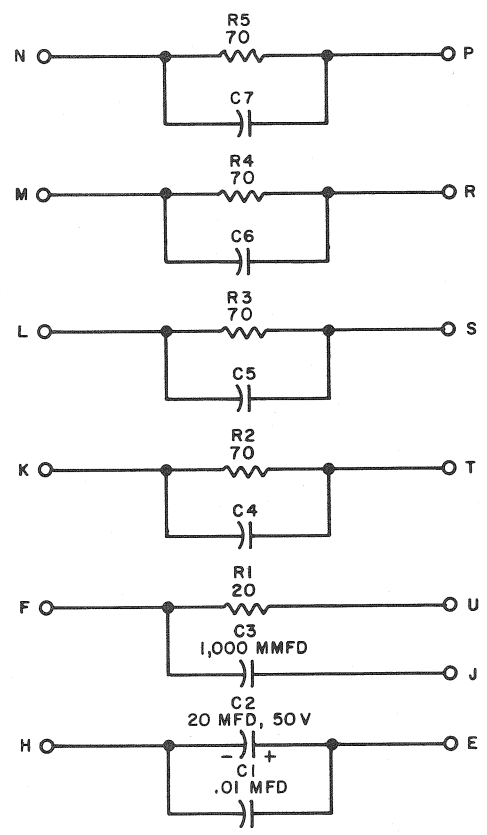
REV. _____
 NUMBER G612-0-1
 SIZE CODE C CS

REVISIONS CHK'G NO. REV.	DRN: <i>M. Wallen</i>	DATE: 5-22-67	TRANSISTOR & DIODE CONVERSION CHART				digital EQUIPMENT CORPORATION MAYNARD, MASSACHUSETTS	TITLE: 13 BIT B DIODE BOARD G612		SIZE: C CODE: CS NUMBER: G612-0-1 REV. _____ PRINTED CIRCUIT REV. A
	CHK'D: _____	DATE: _____	DEC	EIA	DEC	EIA				
	ENG: _____	DATE: 5-24-67	D672	IN3653						
	PROD: _____	DATE: _____								

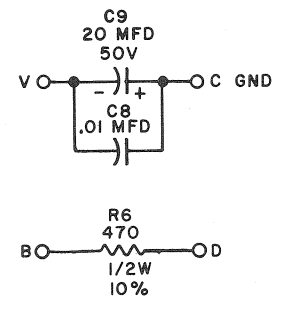
DEC FORM NO. DRC 102

REV.	C	NUMBER	6624-0-1	CS	B	SIZE
------	---	--------	----------	----	---	------

THIS SCHEMATIC IS FURNISHED ONLY FOR TEST AND MAINTENANCE PURPOSES. THE CIRCUITS ARE PROPRIETARY IN NATURE AND SHOULD BE TREATED ACCORDINGLY. COPYRIGHT 1967 BY DIGITAL EQUIPMENT CORPORATION



UNLESS OTHERWISE INDICATED:
CAPACITORS ARE 680 MMFD
RESISTORS ARE 10W, 1%, LOW INDUCTANCE



REVISIONS	CHK	CHG NO.	REV.
		6442	A
		6561	B
		6709	C

DRN.	<i>M. Haller</i>	DATE	5-24-67
CHK'D	<i>R. Silberman</i>	DATE	6/29/67
ENG.	<i>T. Coyne</i>	DATE	5/25/67
PROD.		DATE	

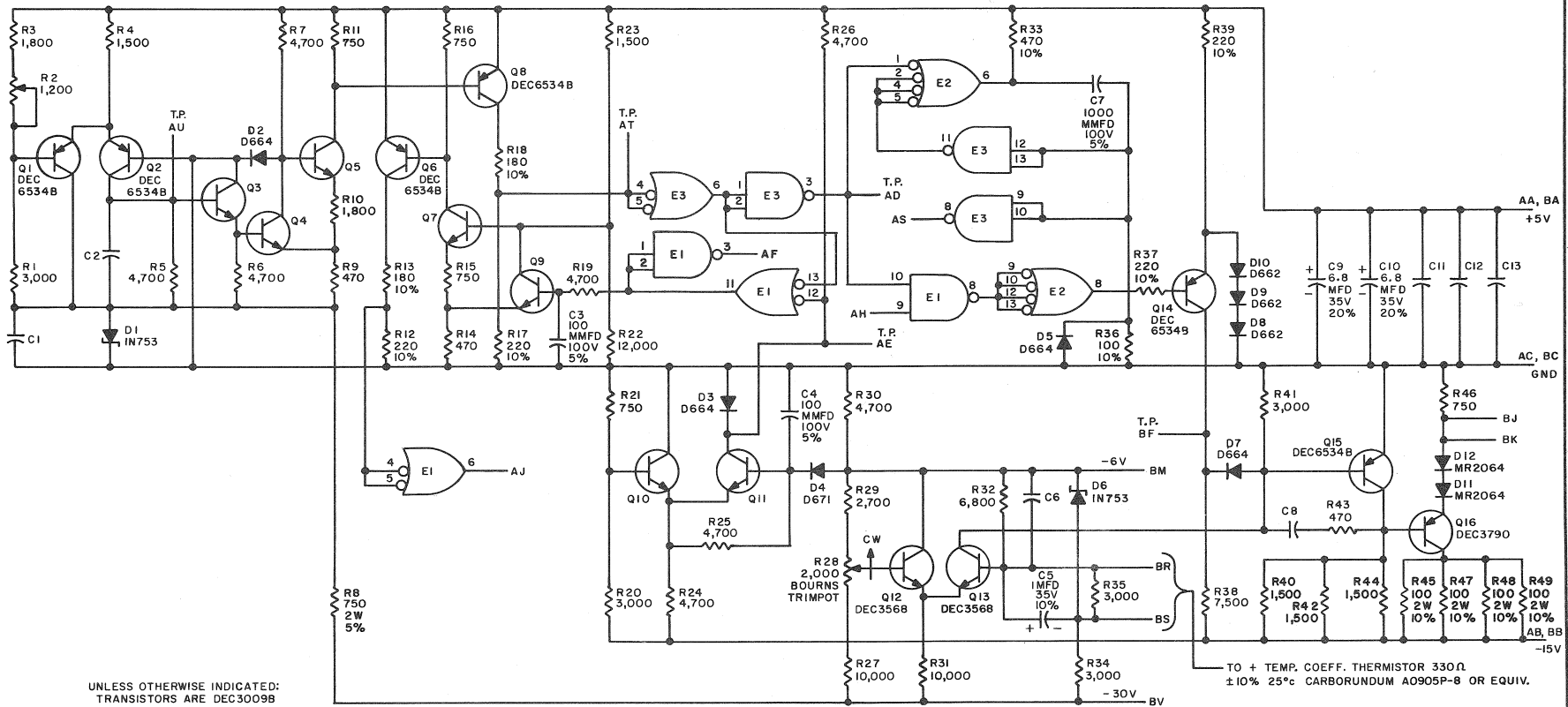
TRANSISTOR & DIODE CONVERSION CHART			
DEC	EIA	DEC	EIA

digital
EQUIPMENT CORPORATION
MAYNARD, MASSACHUSETTS

TITLE			
RESISTOR BOARD G624			
SIZE	CODE	NUMBER	REV.
B	CS	G624-0-1	C
PRINTED CIRCUIT REV.			C

DEC FORM NO. DRB 102

THIS SCHEMATIC IS FURNISHED ONLY FOR TEST AND MAINTENANCE PURPOSES. THE CIRCUITS ARE PROPRIETARY IN NATURE AND SHOULD BE TREATED ACCORDINGLY. COPYRIGHT 1967 BY DIGITAL EQUIPMENT CORPORATION



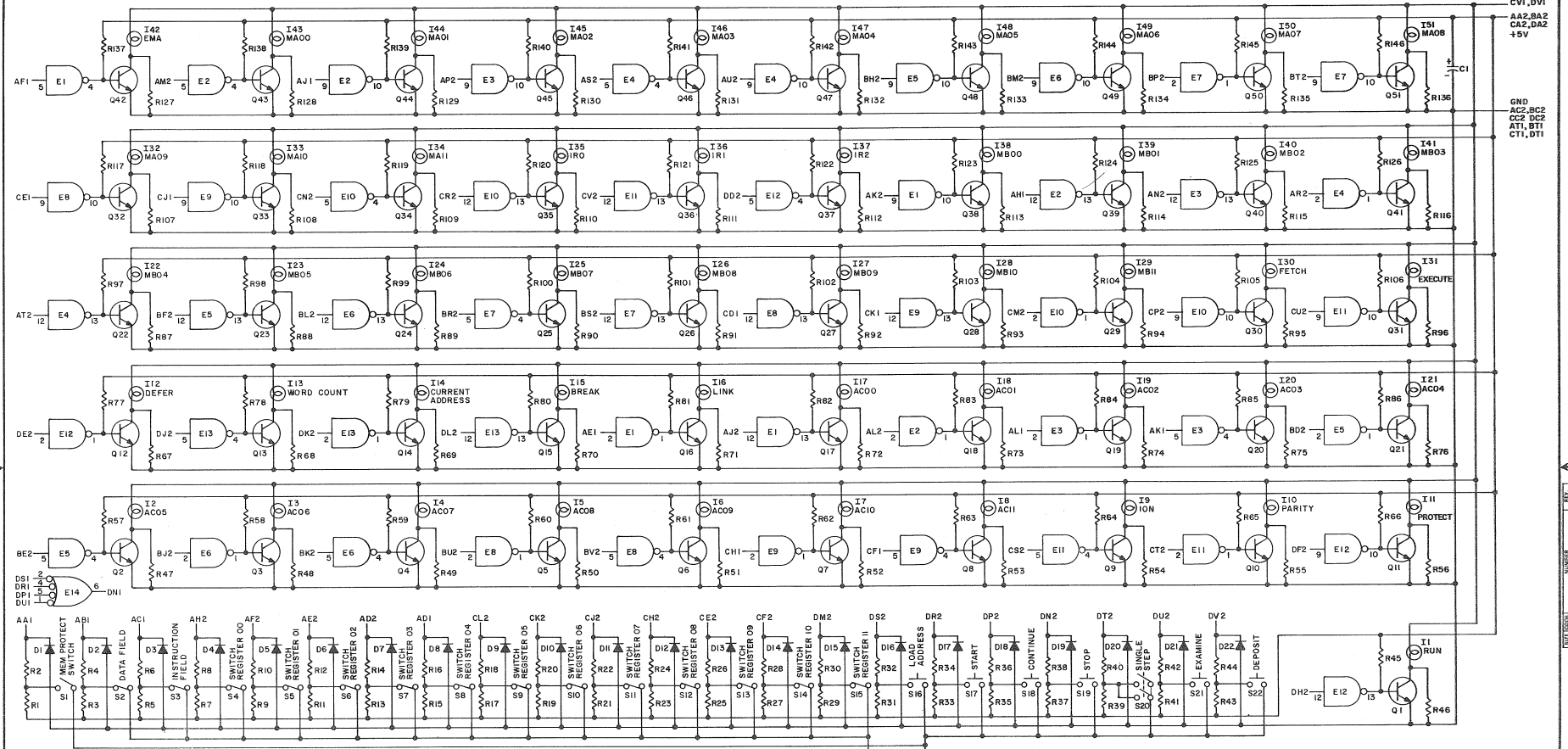
UNLESS OTHERWISE INDICATED:
 TRANSISTORS ARE DEC3009B
 RESISTORS ARE 1/4W, 5%
 CAPACITORS ARE .01 MFD
 E1 & E3 ARE DEC7400N
 E2 IS DEC740N
 PIN 7 ON EACH IC = GND
 PIN 14 ON EACH IC = +5V
 R2 IS POT CODE #13-05778-3

PARTS LIST A-PL-G826-0-0

REVISIONS CHK CHG NO. REV. E	DRN. M. Waller	DATE 5-10-67	TRANSISTOR & DIODE CONVERSION CHART				digital EQUIPMENT CORPORATION MAYNARD, MASSACHUSETTS	TITLE REGULATOR CONTROL G826
	CHK'D. [Signature]	DATE 5/15/67	DEC	EIA	DEC	EIA		SIZE CODE NUMBER C CS G826-0-1
DEC FORM NO. DRG 102	PROD. [Signature]	DATE 5/25/67	DEC3009B	2N3009	D664	IN3606	REV. E	
			DEC3568	2N3568	D671	IN3653		
			DEC6534B	MPS6534				
			DEC3790	2N3790	IN753	SAME		
			D662	IN645	MR2064	IN4001		

Dist. 324 430/833 PINK

THIS SCHEMATIC IS FURNISHED ONLY FOR TEST AND MAINTENANCE PURPOSES. THE CIRCUITS ARE PROPRIETARY IN NATURE AND SHOULD BE TREATED ACCORDINGLY. COPYRIGHT BY DIGITAL EQUIPMENT CORPORATION.



NOTE:
 PIN 7 ON EACH IC = GND
 PIN 14 ON EACH IC = +5V

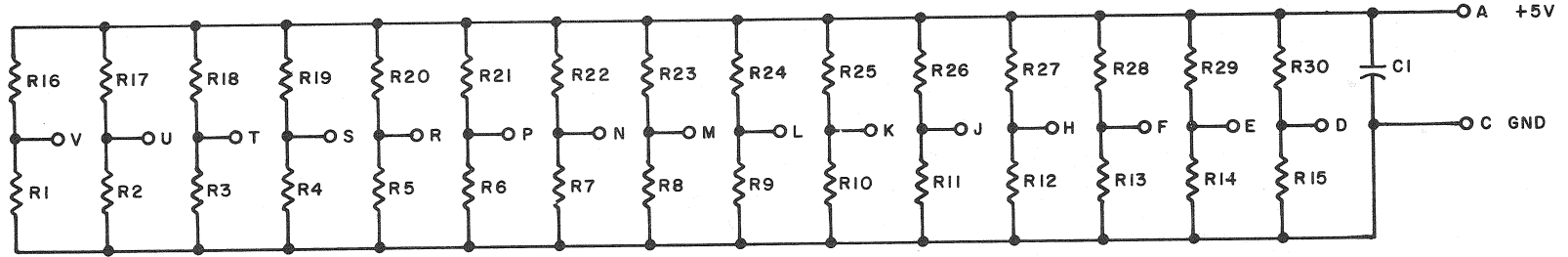
REFERENCE DESIGNATION	DESCRIPTION	PART NO.
Q1-Q51	TRANSISTOR DEC 2	1505650
T1-T51	LAMP #2309 0-P	1203219
E4	INTEGRATED CKT. DEC7420N	1905577
E1-E13	INTEGRATED CKT. DEC7401N	1905590
S16-S19, S21, S22	SWITCH, ROCKER RS-S-3-FB	1206375
S1-S15, S20	SWITCH, ROCKER RS-S0-FB-PC	1205941
R117-R126, R137-R146	RES. 1/4W 5% CC	1300365
R45, R67-R66, R77-R86, R97-R106	RES. 390 1/4W 10% CC	1300310
R86-S6, R67-76, R87-96, R107-116, R127-136	RES. 1.5K 1/4W 5% CC	1300391
R1-R44	DIODE D664	1100114
D1-D22	CAP. 6.8 MFD 35V 20% STANT	1000067
C1	PARTS LIST	A-PL-921-0-0

REVISIONS	DATE	DESCRIPTION
1	11/2/68	TRANSISTOR & DIODE CONVERSION CHART
2	11/2/68	DEC 2 NONE
3	11/2/68	DEC 2 NONE

DIGITAL EQUIPMENT CORPORATION
PDP-8/L CONTROL PANEL G921
 1-0-1269 S3 Q
 PRINTED CIRCUIT REV. A
 DIST. 324 N34 105 PINK

REV. NUMBER M002-0-1 B CS

THIS SCHEMATIC IS FURNISHED ONLY FOR TEST AND MAINTENANCE PURPOSES. THE CIRCUITS ARE PROPRIETARY IN NATURE AND SHOULD BE TREATED ACCORDINGLY. COPYRIGHT 1968 BY DIGITAL EQUIPMENT CORPORATION



 < O V D N M L O K J H F E D C B A >

R16 - R30	RES. 1.8K 1/4W 10% CC	1301428
R1 - R15	RES. 3.3K 1/4W 5% CC	1300439
C1	CAP. .01MFD 100V 20% DISC	1001610
	PARTS LIST	A-PL-M002-0-0
REFERENCE DESIGNATION	DESCRIPTION	PART NO.

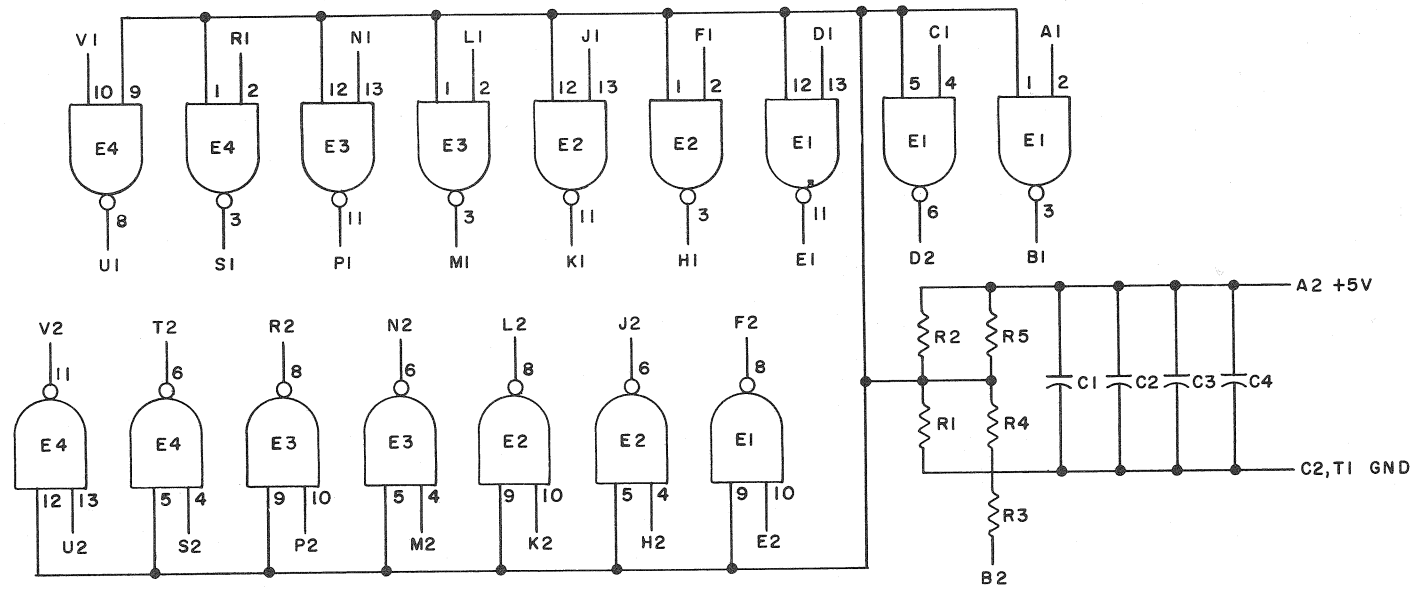
REVISIONS CHK CHG NO REV	DRN.	m. Waller	DATE	6-21-68	TRANSISTOR & DIODE CONVERSION CHART DEC EIA DEC EIA				digital EQUIPMENT CORPORATION MAYNARD, MASSACHUSETTS	TITLE			
	CHK'D	<i>M. Waller</i>	DATE	6/26/68						15 LOADS M002			
	ENG.	<i>M. Waller</i>	DATE	7/8/68	SIZE CODE NUMBER REV. B CS M002-0-1								
	PROD.		DATE		PRINTED CIRCUIT REV. A								
					DIST. 324 4/31/135								

DEC FORM NO. DRB 102

PINK

REV. NUMBER B CS M111-0-1 SIZE CODE

THIS SCHEMATIC IS FURNISHED ONLY FOR TEST AND MAINTENANCE PURPOSES. THE CIRCUITS ARE PROPRIETARY IN NATURE AND SHOULD BE TREATED ACCORDINGLY. COPYRIGHT 1968 BY DIGITAL EQUIPMENT CORPORATION



NOTES:
PIN 7 ON EACH IC = GND
PIN 14 ON EACH IC = +5V

E1-E4	INTEGRATED CKT. DEC7400N	1905575
R1-R5	RES. 750 1/4W 5% CC	1301401
C1-C4	CAP. .01MFD 100V 20% DISC	1001610
	PARTS LIST	A-PL-M111-0-0
REFERENCE DESIGNATION	DESCRIPTION	PART NO.

REVISIONS CHK CHG NO. REV.	DRN. <i>m. haller</i>	DATE 5-31-68	TRANSISTOR & DIODE CONVERSION CHART					TITLE INVERTER M111		
	CHK'D <i>N. P. ...</i>	DATE 6/11/68	DEC	EIA	DEC	EIA		SIZE B	CODE CS	NUMBER M111-0-1
	ENG. <i>John Egan</i>	DATE 7/25/68					PRINTED CIRCUIT REV. A			
	PROD. <i>J. ...</i>	DATE								

434 1 2 3 4

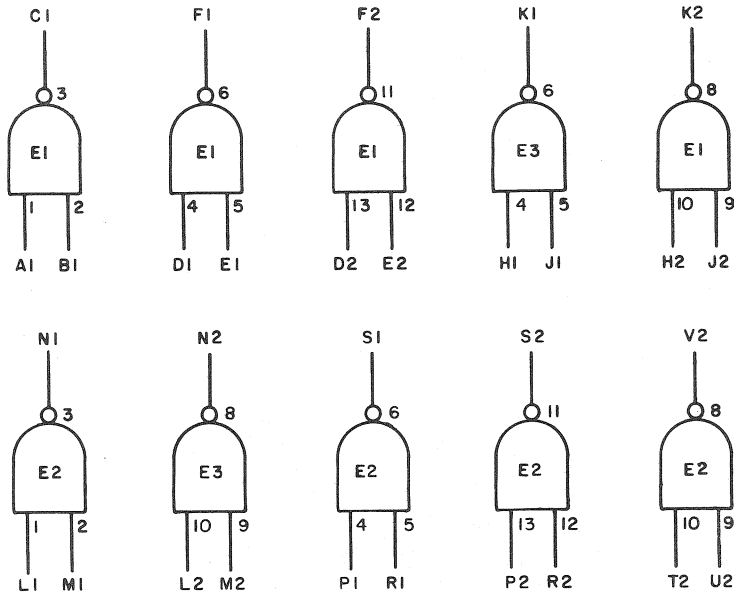
DEC FORM NO. DRB 102

↓

C	REV	NUMBER	M113-0-1	CS	B	SIZE
---	-----	--------	----------	----	---	------

THIS SCHEMATIC IS FURNISHED ONLY FOR TEST AND MAINTENANCE PURPOSES. THE CIRCUITS ARE PROPRIETARY IN NATURE AND SHOULD BE TREATED ACCORDINGLY. COPYRIGHT 1967 BY DIGITAL EQUIPMENT CORPORATION

+5V ——— A2
 NOT USED -15V ——— B2
 GND ——— C2, T1



NOTES:
 PIN 7 ON EACH IC = GND
 PIN 14 ON EACH IC = +5V

E1 THRU E3	INTEGRATED CKT. DEC7400N	1905575
R1 AND R3	RES. 750 1/4W 5% CC	1301401
R2 AND R4	RES. 330 1/4W 10% CC	1300293
C1 AND C2	CAP. .01MFD 100V 20% DISC	1001610
	PARTS LIST	A-PL-M113-0-0
REFERENCE DESIGNATION	DESCRIPTION	PART NO.

PARTS LIST

REVISIONS CHK CHG NO REV 6425 A 6801 B 00001 C	DRN <i>M. Haller</i> DATE 3-15-67 CHK'D <i>[Signature]</i> DATE 4-21-67 ENG <i>[Signature]</i> DATE 4-21-67 PROD. <i>[Signature]</i> DATE	TRANSISTOR & DIODE CONVERSION CHART <table border="1" style="width: 100%; border-collapse: collapse;"> <tr> <td>DEC</td> <td>EIA</td> <td>DEC</td> <td>EIA</td> </tr> <tr><td> </td><td> </td><td> </td><td> </td></tr> <tr><td> </td><td> </td><td> </td><td> </td></tr> <tr><td> </td><td> </td><td> </td><td> </td></tr> <tr><td> </td><td> </td><td> </td><td> </td></tr> </table>	DEC	EIA	DEC	EIA																	<p>digital EQUIPMENT CORPORATION MAYNARD, MASSACHUSETTS</p>	TITLE 10-2 INPUT NAND GATES M113 SIZE B CODE CS NUMBER REV C M113-0-1 PRINTED CIRCUIT REV. D
DEC	EIA	DEC	EIA																					

DEC FORM NO. DRB 102

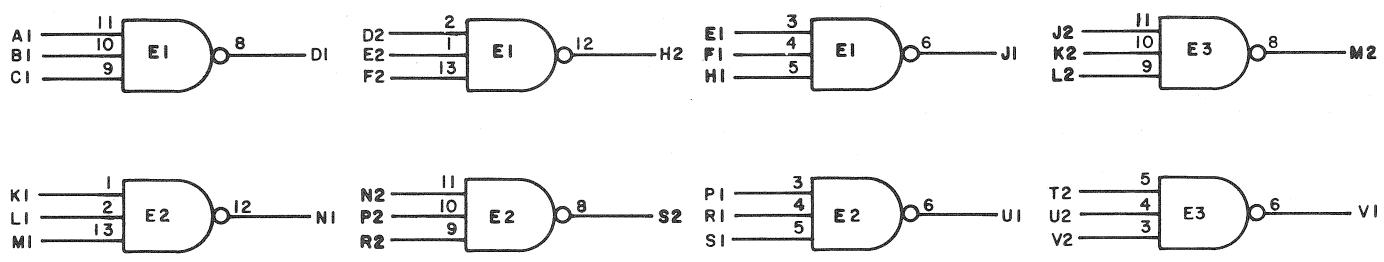
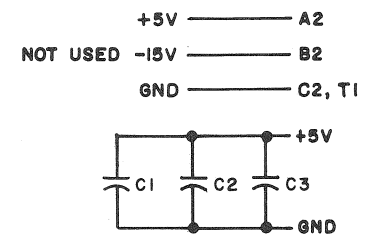
↑ PINK

DIST. 324 | 434 | 435

↓

C REV	MI15-0-1 NUMBER	B CS SIZE CODE
----------	--------------------	----------------------

THIS SCHEMATIC IS FURNISHED ONLY FOR TEST AND MAINTENANCE PURPOSES. THE CIRCUITS ARE PROPRIETARY IN NATURE AND SHOULD BE TREATED ACCORDINGLY. COPYRIGHT 1967 BY DIGITAL EQUIPMENT CORPORATION



NOTES:
 1. MIN. 1 ON EACH IC = GND
 2. MIN. 1 ON EACH IC = +5V

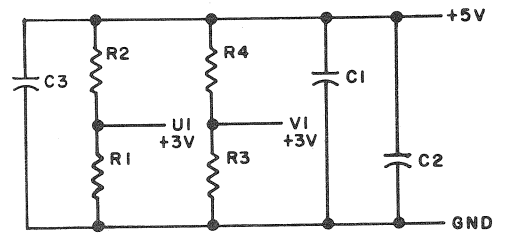
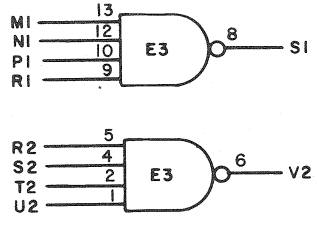
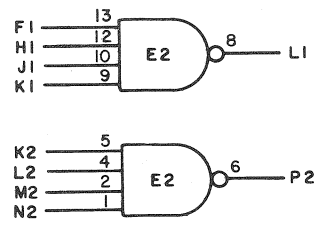
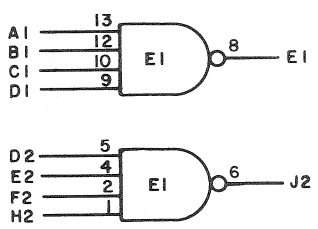
E1 THRU E3	INTEGRATED CKT. DEC7410N	1905576
C1 THRU C3	CAP. .01MFD 100V 20% DISC	1001610
	PARTS LIST	A-PL-MI15-0-0
REFERENCE DESIGNATION	DESCRIPTION	PART NO.

REVISIONS CHK. CHG. NO. REV. 3423 A 6800 B 00001 C	DRN. <i>M. Waller</i> DATE 4-20-67	TRANSISTOR & DIODE CONVERSION CHART <table border="1" style="width: 100%; text-align: center;"> <tr> <td>DEC</td><td>EIA</td><td>DEC</td><td>EIA</td></tr> <tr><td> </td><td> </td><td> </td><td> </td></tr> <tr><td> </td><td> </td><td> </td><td> </td></tr> <tr><td> </td><td> </td><td> </td><td> </td></tr> <tr><td> </td><td> </td><td> </td><td> </td></tr> </table>	DEC	EIA	DEC	EIA																		TITLE <h3 style="text-align: center;">8-3 INPUT NAND GATES MI15</h3>
	DEC		EIA	DEC	EIA																			
CHK'D ENG. PROD.	DATE 4-21-67 DATE 4/21/67 DATE	SIZE B CODE CS NUMBER MI15-0-1 PRINTED CIRCUIT REV. D	REV. C																					

DEC FORM NO. DRB 102 ↑ PINK DIST. 324/H34 k-35 3

THIS SCHEMATIC IS FURNISHED ONLY FOR TEST AND MAINTENANCE PURPOSES. THE CIRCUITS ARE PROPRIETARY IN NATURE AND SHOULD BE TREATED ACCORDINGLY. COPYRIGHT 1967 BY DIGITAL EQUIPMENT CORPORATION

+5V ——— A2
 NOT USED -15V ——— B2
 GND ——— C2, T1



NOTES:
 PIN 7 ON EACH IC = GND
 PIN 14 ON EACH IC = +5V

E1 THRU E3	INTEGRATED CKT. DEC7420N	1905577
R1 & R3	RES. 750 1/4W 5% CC	1301401
R2 & R4	RES. 330 1/4W 10% CC	1300293
C1 THRU C3	CAP. .01MFD 100V 20% DISC	1001610
	PARTS LIST	A-PL-MII7-0-0
REFERENCE DESIGNATION	DESCRIPTION	PART NO.

REVISIONS	CHK	CHG NO	REV
		6424	A
		6799	B
		00001	C

DRN.	M. Waller	DATE	3-15-67
CHK'D		DATE	4-21-67
ENG	Z. White	DATE	4-21-67
PROD.		DATE	

TRANSISTOR & DIODE CONVERSION CHART			
DEC	EIA	DEC	EIA

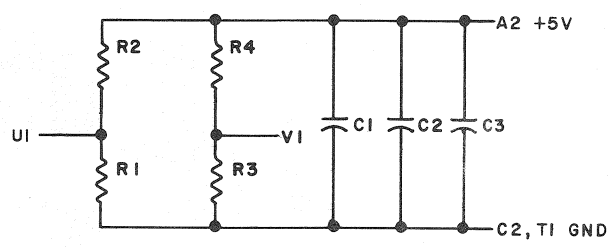
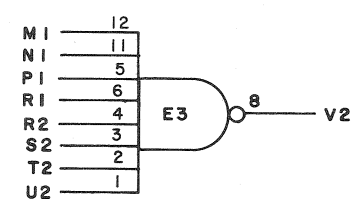
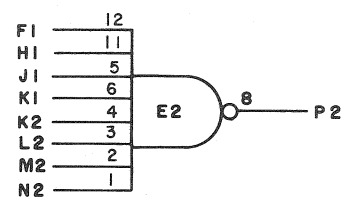
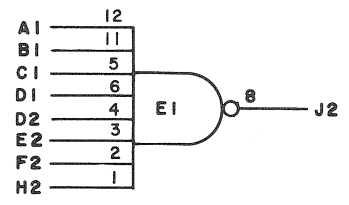


TITLE			
6-4 INPUT NAND GATES MII7			
SIZE	CODE	NUMBER	REV.
B	CS	MII7-0-1	C
PRINTED CIRCUIT REV.			D
DIST. 324 434 435 3			5

↓

B	REV	1-0-611W	CS	B	SIZE
8	REV	NUMBER			

THIS SCHEMATIC IS FURNISHED ONLY FOR TEST AND MAINTENANCE PURPOSES. THE CIRCUITS ARE PROPRIETARY IN NATURE AND SHOULD BE TREATED ACCORDINGLY. COPYRIGHT 1967 BY DIGITAL EQUIPMENT CORPORATION



NOTES:
PIN 7 ON EACH IC = GND
PIN 14 ON EACH IC = +5V

E1 THRU E3	INTEGRATED CKT. DEC7430N	1905578
R2 & R4	RES. 330 1/4W 10% CC	1300293
R1 & R3	RES. 750 1/4W 5% CC	1301401
C1 THRU C3	CAP. .01MFD 100V 20% DISC	1001610
	PARTS LIST	A-PL-M119-0-0
REFERENCE DESIGNATION	DESCRIPTION	PART NO.

PARTS LIST

REVISIONS	CHK	CHG	NO	REV	
	6804		A		
	00001		B		
DRN	M. Waller		DATE	8-1-67	
CHK'D	A. Silberman		DATE	7/9/67	
ENG.	Alan Rebert		DATE	6/1/67	
PROD.			DATE		

TRANSISTOR & DIODE CONVERSION CHART			
DEC	EIA	DEC	EIA

digital
EQUIPMENT CORPORATION
MAYNARD, MASSACHUSETTS

TITLE: 3-8 INPUT NAND-GATES
M119

SIZE	CODE	NUMBER	REV
B	CS	M119-0-1	B

PRINTED CIRCUIT REV. C

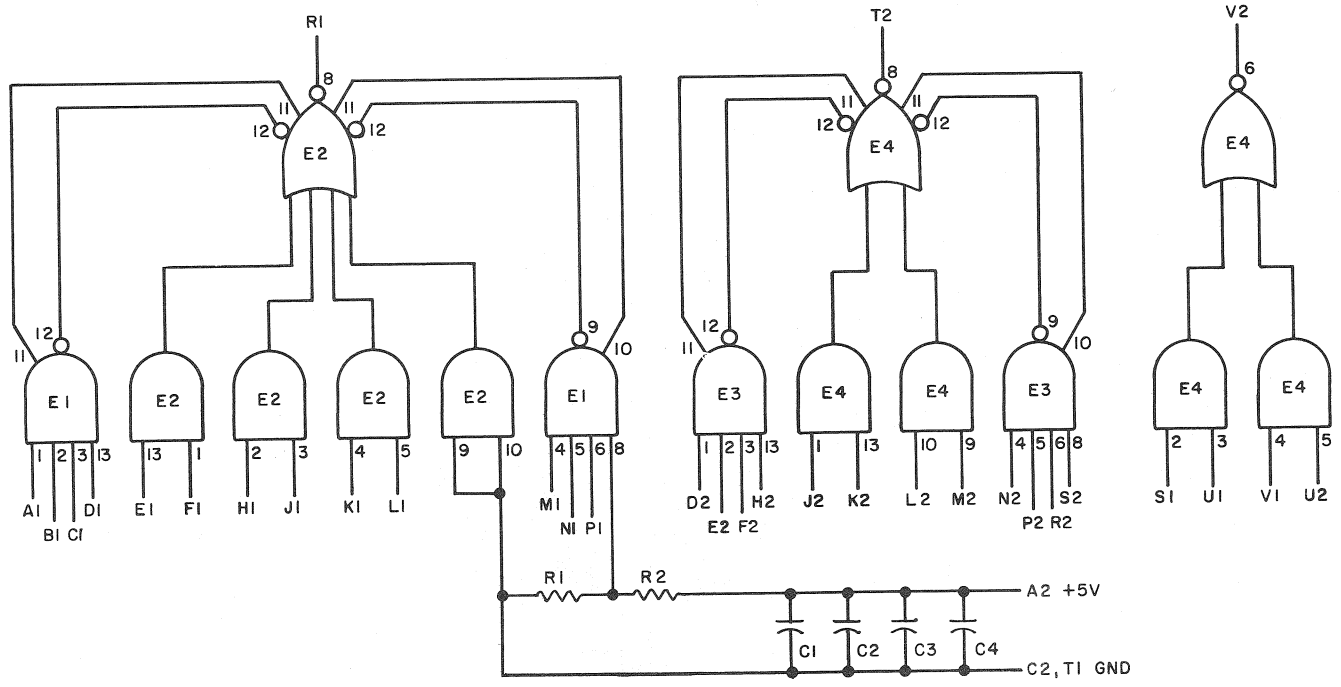
DEC FORM NO. DRB 102

↑ PINK

DIST. 524 12/12/67 5

REV. A
 NUMBER M160-0-1
 SIZE CODE B
 CS

THIS SCHEMATIC IS FURNISHED ONLY FOR TEST AND MAINTENANCE PURPOSES. THE CIRCUITS ARE PROPRIETARY IN NATURE AND SHOULD BE TREATED ACCORDINGLY. COPYRIGHT 1967 BY DIGITAL EQUIPMENT CORPORATION



NOTES
 PIN 7 ON EACH IC = GND
 PIN 14 ON EACH IC = +5V

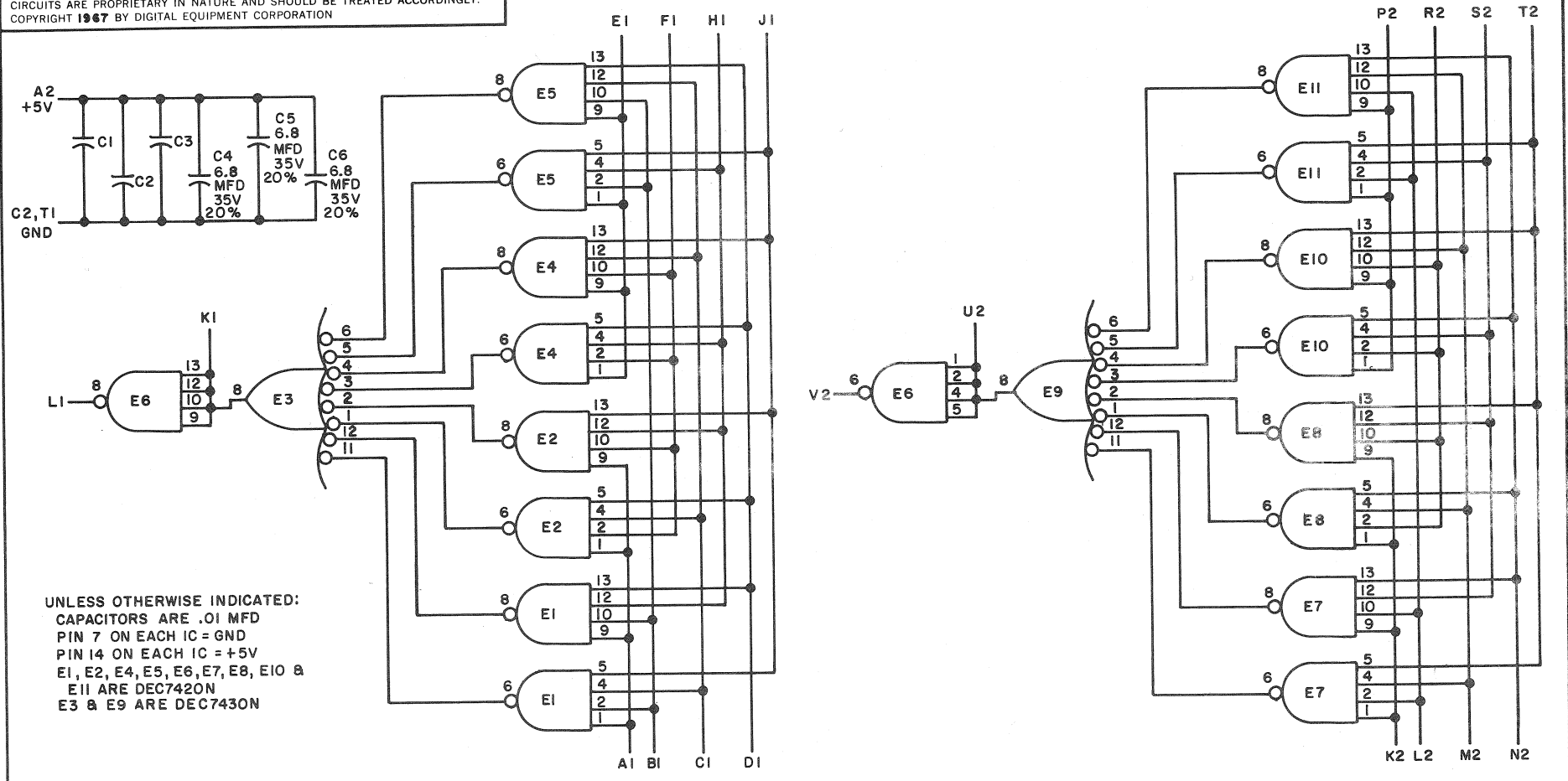
E4	INTEGRATED CKT. DEC7450N	1905580
E2	INTEGRATED CKT. DEC7453N	1905582
E1 & E3	INTEGRATED CKT. DEC7460N	1905581
R2	RES. 4.7K 1/4W 10% CC	1300448
R1	RES. 6.8K 1/4W 10% CC	1300463
C1 THRU C4	CAP. .01MFD 50V -0+20% DISC	1000001
	PARTS LIST	A-PL-M160-0-0
REFERENCE DESIGNATION	DESCRIPTION	PART NO.
PARTS LIST		

REVISIONS CHK. NO. REV. 6807 A	DRN. <i>M. Waller</i>	DATE 4-24-67	TRANSISTOR & DIODE CONVERSION CHART DEC EIA DEC EIA				digital EQUIPMENT CORPORATION MAYNARD, MASSACHUSETTS	TITLE GATE MODULE M160		
	CHK'D	DATE						SIZE B	CODE CS	NUMBER M160-0-1
	ENG. <i>W. Meyer</i>	DATE	PRINTED CIRCUIT REV.	C						
	PROD.	DATE								

DEC FORM NO. DRB 102

SIZE CODE B CS M162-0-1
 NUMBER REV

THIS SCHEMATIC IS FURNISHED ONLY FOR TEST AND MAINTENANCE PURPOSES. THE CIRCUITS ARE PROPRIETARY IN NATURE AND SHOULD BE TREATED ACCORDINGLY. COPYRIGHT 1967 BY DIGITAL EQUIPMENT CORPORATION



UNLESS OTHERWISE INDICATED:
 CAPACITORS ARE .01 MFD
 PIN 7 ON EACH IC = GND
 PIN 14 ON EACH IC = +5V
 E1, E2, E4, E5, E6, E7, E8, E10 &
 E11 ARE DEC7420N
 E3 & E9 ARE DEC7430N

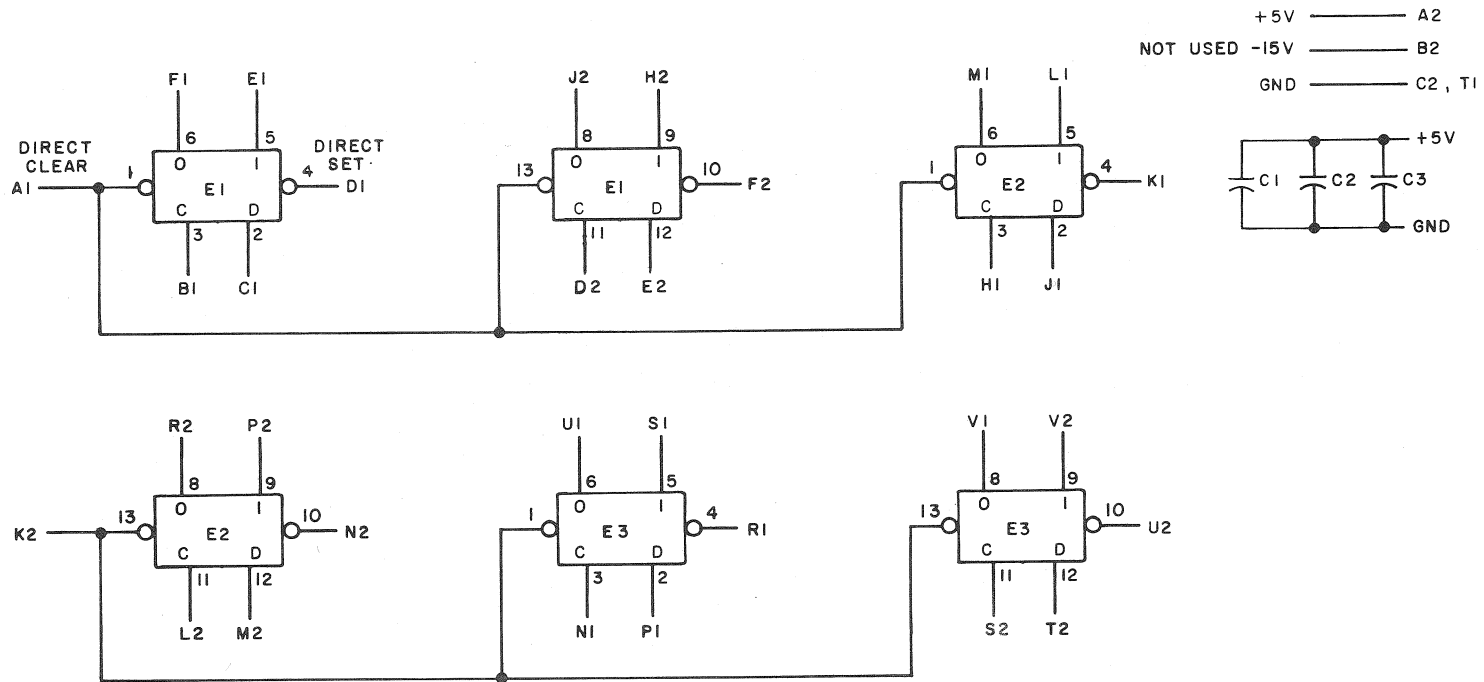
REVISIONS CHK CHG NO REV	DRN <i>M. Waller</i>	DATE <i>4-18-67</i>	TRANSISTOR & DIODE CONVERSION CHART				TITLE PARITY CIRCUIT M162
	CHK'D <i>[Signature]</i>	DATE	DEC	EIA	DEC	EIA	
	ENG <i>[Signature]</i>	DATE <i>5/5/67</i>					SIZE CODE NUMBER REV.
	PROD.	DATE					B CS M162-0-1
							PRINTED CIRCUIT REV. A

DEC FORM NO. DRB 102

↓

REV	B
SIZE CODE	B CS
NUMBER	M216-0-1

THIS SCHEMATIC IS FURNISHED ONLY FOR TEST AND MAINTENANCE PURPOSES. THE CIRCUITS ARE PROPRIETARY IN NATURE AND SHOULD BE TREATED ACCORDINGLY. COPYRIGHT 1967 BY DIGITAL EQUIPMENT CORPORATION



NOTES:
 PIN 7 ON EACH IC = GND
 PIN 14 ON EACH IC = +5V

E1 THRU E3	INTEGRATED CKT. DEC7474N	1905547
C1 THRU C3	CAP. .01 MFD 50V -0+20% DISC	1000001
	PARTS LIST	A-PL-M216-0-0
REFERENCE DESIGNATION	DESCRIPTION	PART NO.

PARTS LIST

REVISIONS CHK CHG NO. REV 6806 A	DRN. <i>M. Waller</i>	DATE 4-15-67	TRANSISTOR & DIODE CONVERSION CHART <table border="1" style="width: 100%; height: 40px;"> <tr> <td>DEC</td><td>EIA</td><td>DEC</td><td>EIA</td></tr> <tr><td> </td><td> </td><td> </td><td> </td></tr> <tr><td> </td><td> </td><td> </td><td> </td></tr> <tr><td> </td><td> </td><td> </td><td> </td></tr> </table>	DEC	EIA	DEC	EIA														TITLE SIX FLIP-FLIPS M216
	DEC	EIA		DEC	EIA																
CHK'D <i>[Signature]</i>	DATE 4-26-67	SIZE B CS	CODE M216-0-1	NUMBER A																	
ENR <i>[Signature]</i>	DATE 4-28-67	PROD.	PRINTED CIRCUIT REV.	B	REV. A																

DEC FORM NO. DRB 102

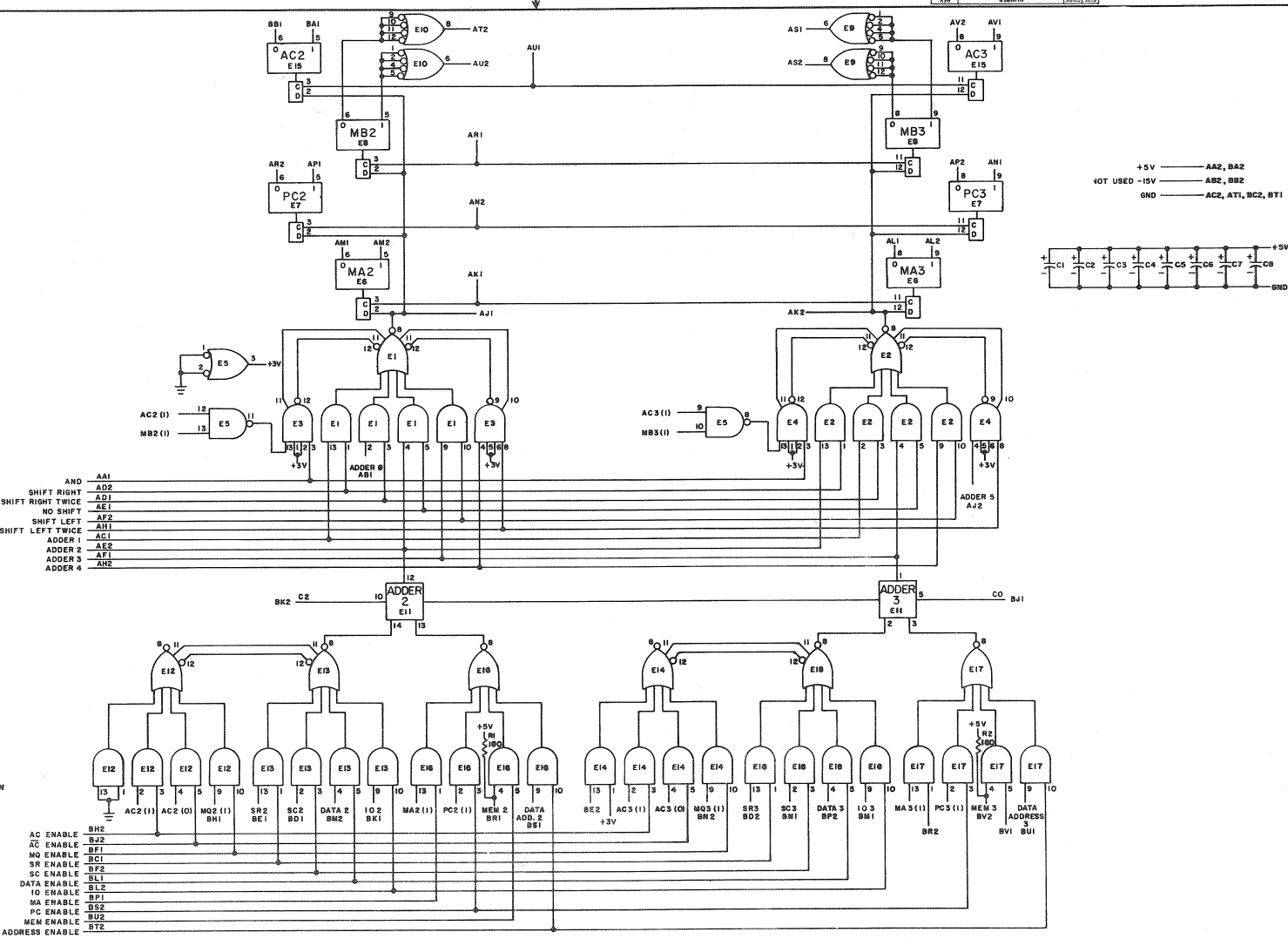
↑

PINK

DIST. 324 434 435²

THIS SCHEMATIC IS FURNISHED ONLY FOR TEST AND MAINTENANCE PURPOSES. THE CIRCUITS ARE PROPRIETARY IN NATURE AND SHOULD BE TREATED ACCORDINGLY. COPYRIGHT 1967 BY DIGITAL EQUIPMENT CORPORATION

1-0-022M CS
 NUMBER 1000 225



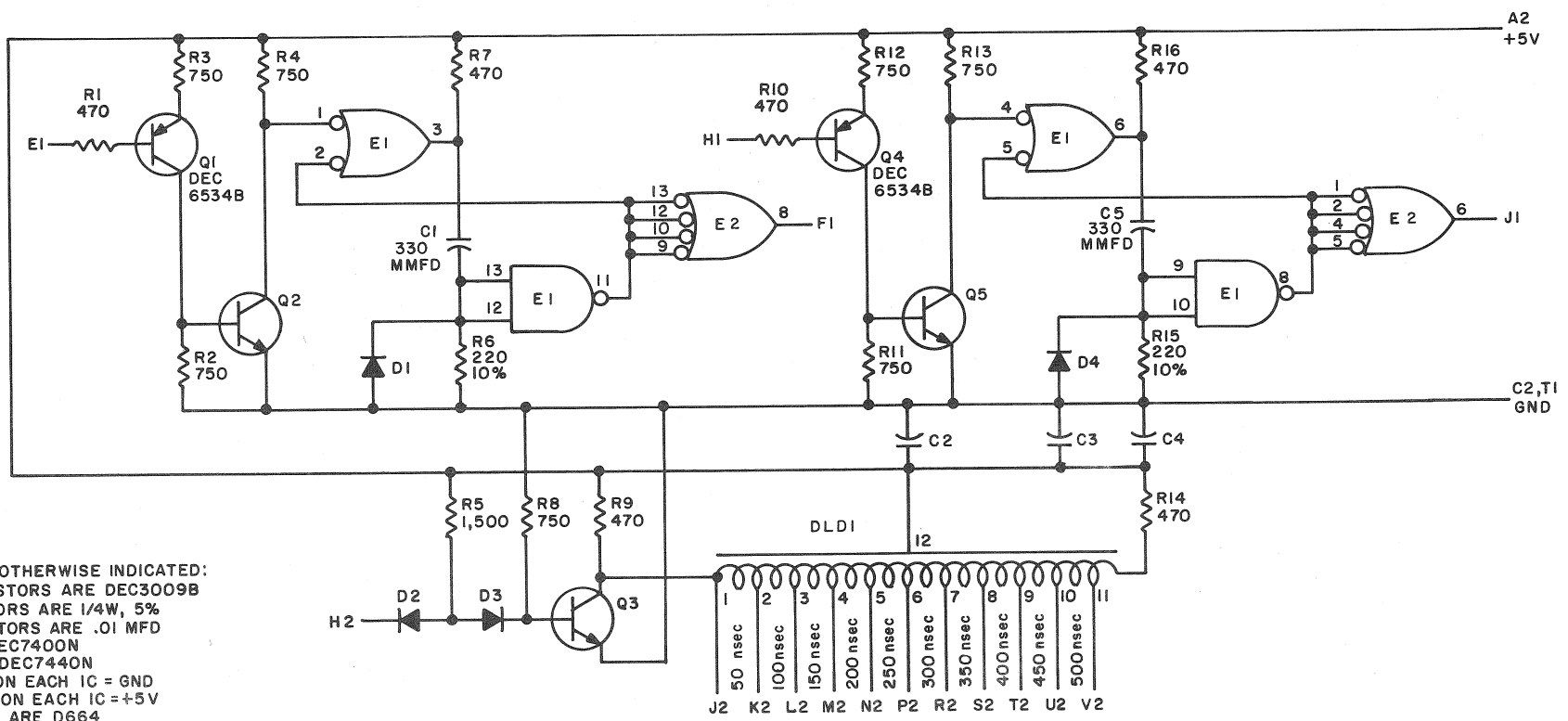
UNLESS OTHERWISE INDICATED:
 E5, E7, E9, E16 ARE DEC7400N
 E5 IS DEC7400N
 E3 & E4 ARE DEC7460N
 E1, E2, E10, E13, E14, E16, E17, E18 ARE DEC7455N
 E11 IS DEC7482N
 PIN 7 ON EACH IC EXCEPT E10 = GND
 PIN 11 ON E10 = +5V
 PIN 14 ON EACH IC EXCEPT E10 = +5V
 PIN 4 ON E10 = +5V
 RESISTORS ARE 1/4W; 10%
 CAPACITORS ARE 0.01 MFD, 35V, 20%
 E9 & E10 ARE DEC7440N

BH2
 BH3
 BH4
 BH5
 BH6
 BH7
 BH8
 BH9
 BH10
 BH11
 BH12
 BH13
 BH14
 BH15
 BH16
 BH17
 BH18
 BH19
 BH20
 BH21
 BH22
 BH23
 BH24
 BH25
 BH26
 BH27
 BH28
 BH29
 BH30
 BH31
 BH32
 BH33
 BH34
 BH35
 BH36
 BH37
 BH38
 BH39
 BH40
 BH41
 BH42
 BH43
 BH44
 BH45
 BH46
 BH47
 BH48
 BH49
 BH50
 BH51
 BH52
 BH53
 BH54
 BH55
 BH56
 BH57
 BH58
 BH59
 BH60
 BH61
 BH62
 BH63
 BH64
 BH65
 BH66
 BH67
 BH68
 BH69
 BH70
 BH71
 BH72
 BH73
 BH74
 BH75
 BH76
 BH77
 BH78
 BH79
 BH80
 BH81
 BH82
 BH83
 BH84
 BH85
 BH86
 BH87
 BH88
 BH89
 BH90
 BH91
 BH92
 BH93
 BH94
 BH95
 BH96
 BH97
 BH98
 BH99
 BH100

REVISIONS <small>DATE</small> <small>BY</small>	DATE <small>3-19-67</small> <small>3-19-67</small> <small>3-19-67</small>	TRANSISTOR & DIODE CONVERSION CHART				TITLE MAJOR REGISTERS M220
		DEC	EIA	DEC	EIA	
CORPORATION		CORPORATION		CORPORATION		
MAJOR REGISTERS M220		MAJOR REGISTERS M220		MAJOR REGISTERS M220		
CS M220-0-1		CS M220-0-1		CS M220-0-1		
PRINTED CIRCUIT REV. 1A		PRINTED CIRCUIT REV. 1A		PRINTED CIRCUIT REV. 1A		

SIZE B CS M310-0-1 REV. B NUMBER

THIS SCHEMATIC IS FURNISHED ONLY FOR TEST AND MAINTENANCE PURPOSES. THE CIRCUITS ARE PROPRIETARY IN NATURE AND SHOULD BE TREATED ACCORDINGLY. COPYRIGHT 1967 BY DIGITAL EQUIPMENT CORPORATION



UNLESS OTHERWISE INDICATED:
 TRANSISTORS ARE DEC3009B
 RESISTORS ARE 1/4W, 5%
 CAPACITORS ARE .01 MFD
 E1 IS DEC7400N
 E2 IS DEC7440N
 PIN 7 ON EACH IC = GND
 PIN 14 ON EACH IC = +5V
 DIODES ARE D664
 DL1 IS DEC16-05530

TRANSISTOR & DIODE CONVERSION CHART			
DEC		EIA	
DEC3009B	2N3009		
DEC6534B	MPS6534		
D662	1N645		
D664	1N3606		

digital
 EQUIPMENT CORPORATION
 MAYNARD, MASSACHUSETTS

TITLE DELAY LINE M310			
SIZE B	CODE CS	NUMBER M310-0-1	REV. B
PRINTED CIRCUIT REV.			B

REVISIONS	CHK	CHG	NO.	REV.
			6771	A
			00001	B

DRN. <i>M. Haller</i>	DATE 4-7-67
CHK'D <i>[Signature]</i>	DATE [Signature]
ENG. <i>[Signature]</i>	DATE 5/5/67
PROD. <i>[Signature]</i>	DATE

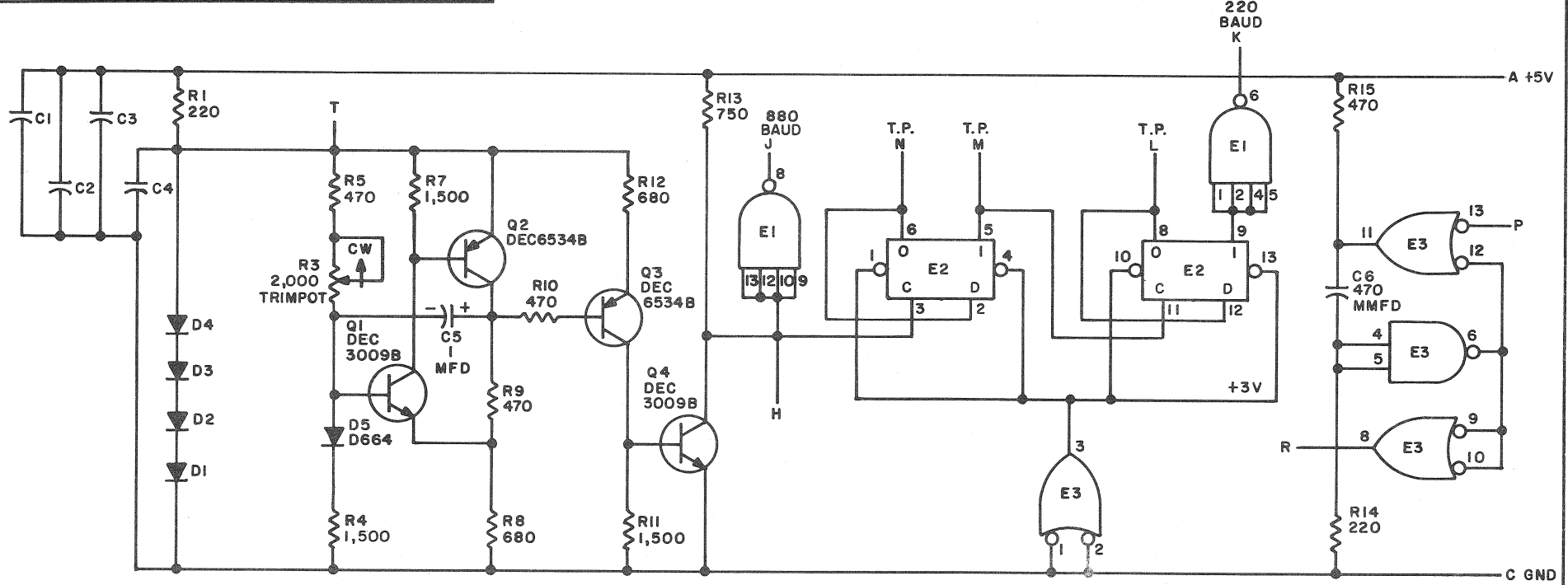
DEC FORM NO. DRB 102

DIST. 324,434,435

PINK

REV. A
 NUMBER M452-0-1
 CODE B CS
 SIZE 3Z1

THIS SCHEMATIC IS FURNISHED ONLY FOR TEST AND MAINTENANCE PURPOSES. THE CIRCUITS ARE PROPRIETARY IN NATURE AND SHOULD BE TREATED ACCORDINGLY. COPYRIGHT 1967 BY DIGITAL EQUIPMENT CORPORATION



UNLESS OTHERWISE INDICATED:
 RESISTORS ARE 1/4 W, 5%
 CAPACITORS ARE .01 MFD
 C5 IS 35V, 10%, TANT.
 DIODES ARE D662
 E1 IS DEC7440N
 E2 IS DEC7474N
 E3 IS DEC7400N
 PIN 7 ON EACH IC = GND
 PIN 14 ON EACH IC = +5V
 R3 IS A #275P

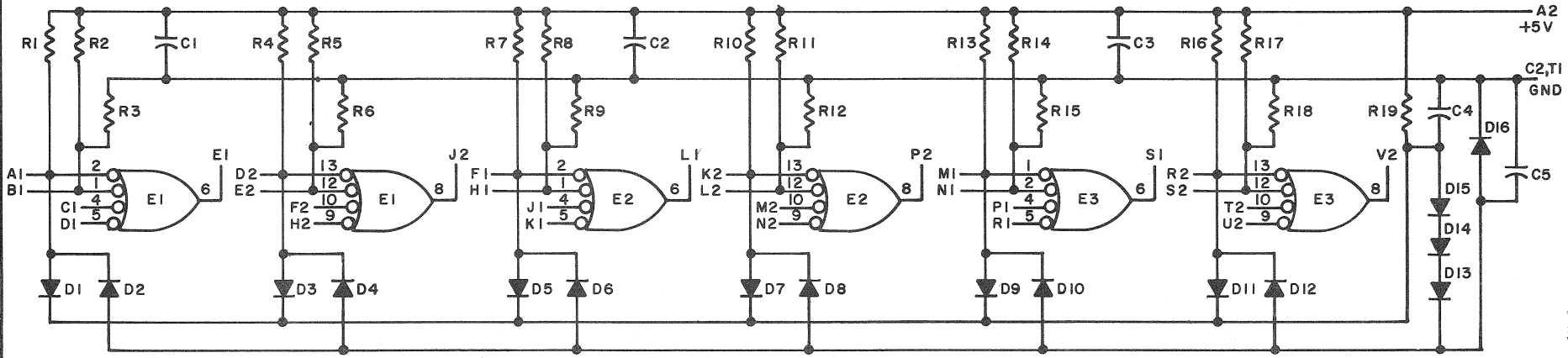


REVISIONS CHK/CHG NO. REV.	DRN <i>M. Waller</i>	DATE 4-7-67	TRANSISTOR & DIODE CONVERSION CHART				 EQUIPMENT CORPORATION MAYNARD, MASSACHUSETTS	TITLE VARIABLE CLOCK M452			
	CHK'D <i>[Signature]</i>	DATE 4/28/67	DEC	EIA	DEC	EIA		SIZE B	CODE CS	NUMBER M452-0-1	REV. A
	ENG <i>[Signature]</i>	DATE 4/28/67	DEC3009B	2N3009			PRINTED CIRCUIT REV. A				
	PROD. I	DATE	DEC6534B	MPS6534							
			D662	1N645							
			D664	1N3606							

DEC FORM NO. DRB 102

REV. NUMBER B SIZE CS M516-0-1

THIS SCHEMATIC IS FURNISHED ONLY FOR TEST AND MAINTENANCE PURPOSES. THE CIRCUITS ARE PROPRIETARY IN NATURE AND SHOULD BE TREATED ACCORDINGLY. COPYRIGHT 1968 BY DIGITAL EQUIPMENT CORPORATION



NOTES:
PIN 7 ON EACH IC = GND
PIN 14 ON EACH IC = +5V

E1-E3	INTEGRATED CKT. DEC7420N	1905577
R19	RES. 330 1/4W 5% CC	1300295
R3,R6,R9,R12,R15,R18	RES. 1.5K 1/4W 5% CC	1300391
R2,R5,R8,R11,R14,R17	RES. 750 1/4W 5% CC	1301401
R1,R4,R7,R10,R13,R16	RES. 220 1/4W 5% CC	1300271
D13 - D16	DIODE D662	1100113
D1 - D12	DIODE D664	1100114
C1 - C5	CAP. .01MFD 100V 20% DISC	1001610
	PARTS LIST	A-PL-M516-0-0
REFERENCE DESIGNATION	DESCRIPTION	PART NO.
	PARTS LIST	

REVISIONS	CHK	CHG	NO.	REV.

DRN.	DATE
M. Walter	6-20-68
CHK'D	DATE
H. Davis	6-20-68
ENG.	DATE
PROD.	DATE

TRANSISTOR & DIODE CONVERSION CHART			
DEC	EIA	DEC	EIA
D662	IN645		
D664	IN3606		

digital
EQUIPMENT CORPORATION
MAYNARD, MASSACHUSETTS

TITLE			
POSITIVE BUS RECEIVER M516			
SIZE	CODE	NUMBER	REV.
B	CS	M516-0-1	
PRINTED CIRCUIT REV.			A

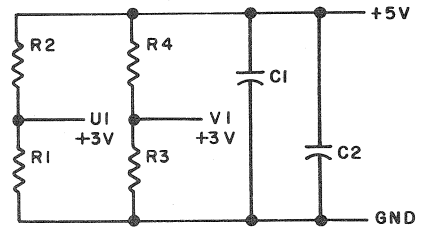
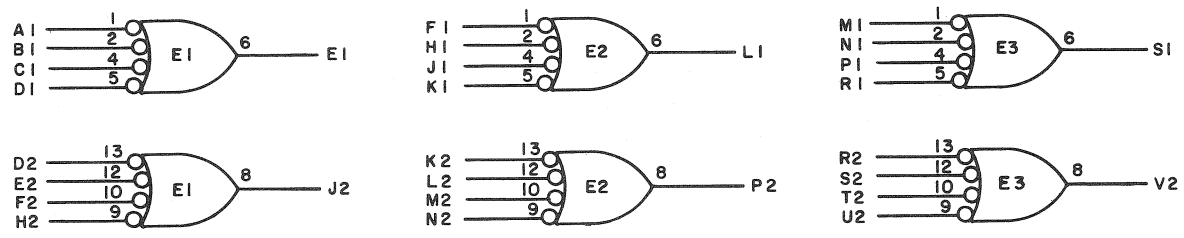
DEC FORM NO. DRB 102

PINK DIST 324 434 435

REV. B
 NUMBER M617-0-1
 CS B
 SIZE

THIS SCHEMATIC IS FURNISHED ONLY FOR TEST AND MAINTENANCE PURPOSES. THE CIRCUITS ARE PROPRIETARY IN NATURE AND SHOULD BE TREATED ACCORDINGLY. COPYRIGHT 1967 BY DIGITAL EQUIPMENT CORPORATION

+5V ——— A 2
 NOT USED -15V ——— B 2
 GND ——— C 2, T 1



NOTES:
 PIN 7 ON EACH IC = GND
 PIN 14 ON EACH IC = +5V
 USE THE ETCH BOARD OF THE M117

E1 THRU E3	INTEGRATED CKT, DEC7440N	1905579
R2 & R4	RES 330 1/4W 10% CC	1300293
R1 & R3	RES. 750 1/4W 5% CC	1301401
C1 & C2	CAP. .01MFD 50V-0+20% DISC	1000001
	PARTS LIST	A-PL-M617-0-0
REFERENCE DESIGNATION	DESCRIPTION	PART NO.

PARTS LIST			
TITLE		6-4 INPUT NOR BUFFERS M617	
SIZE	CODE	NUMBER	REV.
B	CS	M617-0-1	B
PRINTED CIRCUIT REV			C

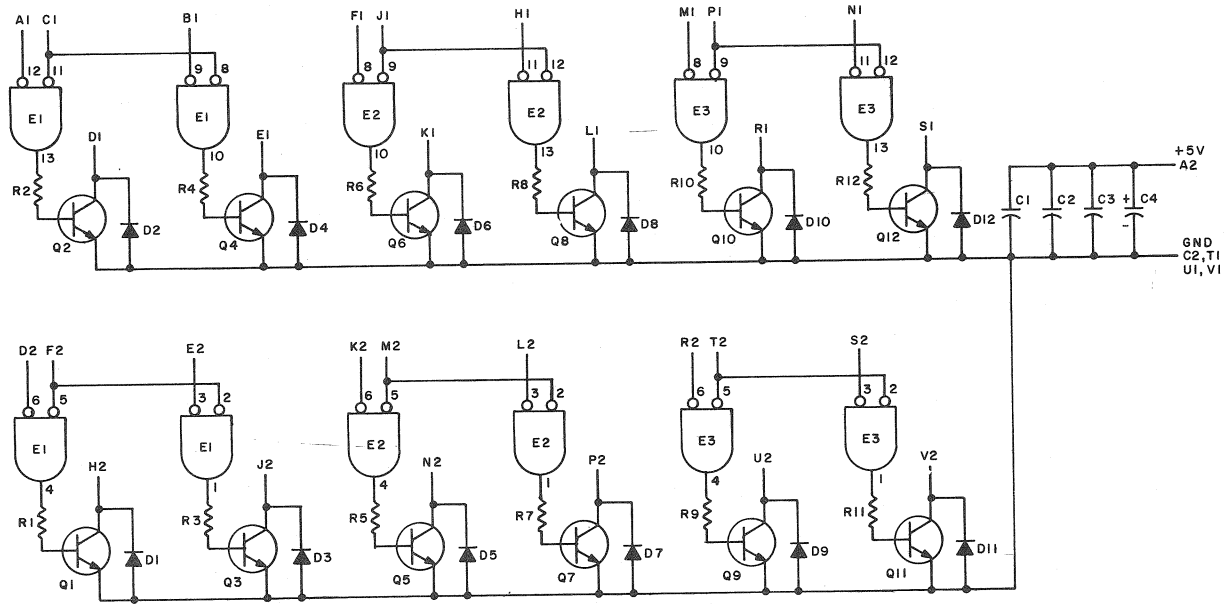
TRANSISTOR & DIODE CONVERSION CHART			
DEC	EIA	DEC	EIA

digital
 EQUIPMENT CORPORATION
 MAYNARD, MASSACHUSETTS

REVISIONS	DRN	DATE
CHK CHG NO REV	<i>M. Keller</i>	3-15-67
6422 A	CHK'D	DATE
5824 B	<i>[Signature]</i>	4-21-67
	ENG	DATE
	<i>Z. White</i>	4-21-67
	PROD.	DATE

DEC FORM NO. DRB 102

THIS SCHEMATIC IS FURNISHED ONLY FOR TEST AND MAINTENANCE PURPOSES. THE CIRCUITS ARE PROPRIETARY IN NATURE AND SHOULD BE TREATED ACCORDINGLY. COPYRIGHT 1969 BY DIGITAL EQUIPMENT CORPORATION



NOTES:
PIN 7 ON EACH IC = GND
PIN 14 ON EACH IC = +5V

REV. _____
NUMBER M623-0-1
SIZE CODE C
CS

E1 - E3	INTEGRATED CKT. DEC7402N	1909004
Q1 - Q12	TRANSISTOR DEC3009B	1503100
R1 - R12	RES. 390 1/4W 5% CC	1300309
D1 - D12	DIODE D664	1100114
C4	CAP. 6.8MFD 35V 20% STANT	1000067
C1 - C3	CAP. .01MFD 100V 20% DISC	1001840
	PARTS LIST	A-PL-M6230-0
REFERENCE DESIGNATION	DESCRIPTION	PART NO.

TRANSISTOR & DIODE CONVERSION CHART			TITLE	
DEC	EIA		BUS DRIVER M623	
D664	1N3606		SIZE	NUMBER
DEC3009B	2N3009		C CS	M623-0-1
			PRINTED CIRCUIT REV.	A

REVISIONS
CHK/CHG NO. REV.

DRN. M. Heller
DATE 6-4-69
CHK'D. M. Heller
DATE 4/16/68
ENG. J. Flynn
DATE 2/1/68
PROD. J. Flynn
DATE

DEC FORM NO. DRC 102

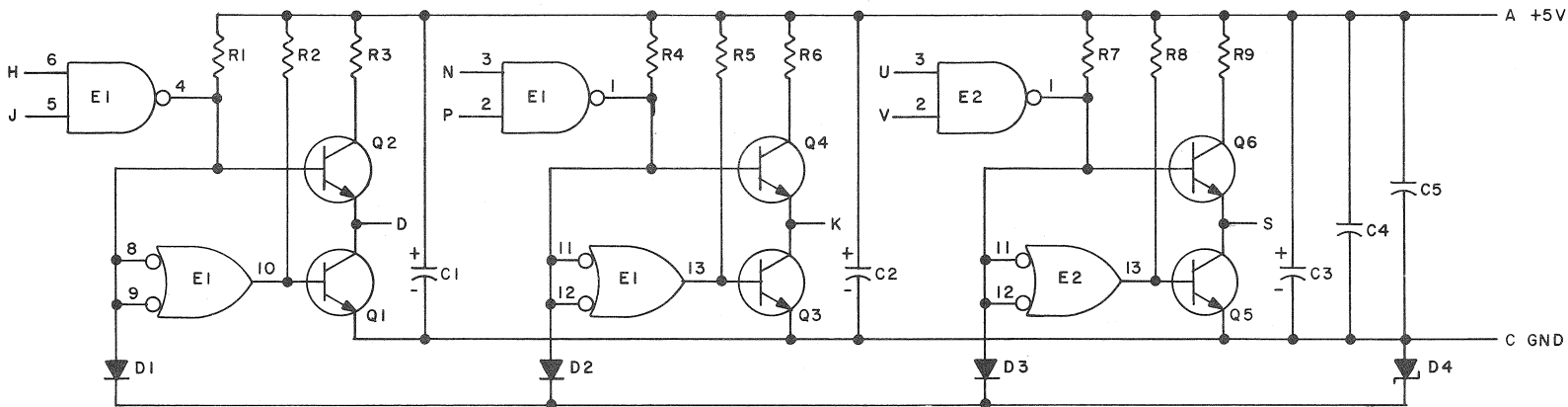
P/ANK

D/ST. 132414344221

↓

REV.	M660-0-1	CS	B
	NUMBER	CODE	SIZE

THIS SCHEMATIC IS FURNISHED ONLY FOR TEST AND MAINTENANCE PURPOSES. THE CIRCUITS ARE PROPRIETARY IN NATURE AND SHOULD BE TREATED ACCORDINGLY. COPYRIGHT 1968 BY DIGITAL EQUIPMENT CORPORATION



NOTES:
 PIN 7 ON EACH IC = GND
 PIN 14 ON EACH IC = +5V

E1, E2	INTEGRATED CKT. DEC7401N	1905590
Q1 - Q6	TRANSISTOR DEC3009B-S	1503100
R3, R6, R9	RES. 27 1/2W 5% CC	1302253
R2, R5, R8	RES. 1.5K 1/4W 5% CC	1300391
R1, R4, R7	RES. 470 1/4W 5% CC	1300316
D4	DIODE IN750	1100123
D1 - D3	DIODE D664	1100114
C4, C5	CAP. .01MFD 100V 20% DISC	1001610
C1 - C3	CAP. 6.8MFD 35V 20% S.TANT	1000067
	PARTS LIST	A-PL-M660-0-0
REFERENCE DESIGNATION	DESCRIPTION	PART NO.



REVISIONS CHK/CHG NO./REV	

DRN. <i>M. Waller</i>	DATE 7-12-68
CHK'D <i>M. Waller</i>	DATE 7/12/68
ENG. <i>H. Gough</i>	DATE 7/24/68
PROD.	DATE

TRANSISTOR & DIODE CONVERSION CHART			
DEC		EIA	
D664	IN3606		
IN750	SAME		
DEC3009B	2N3009		

digital
 EQUIPMENT CORPORATION
 MAYNARD, MASSACHUSETTS

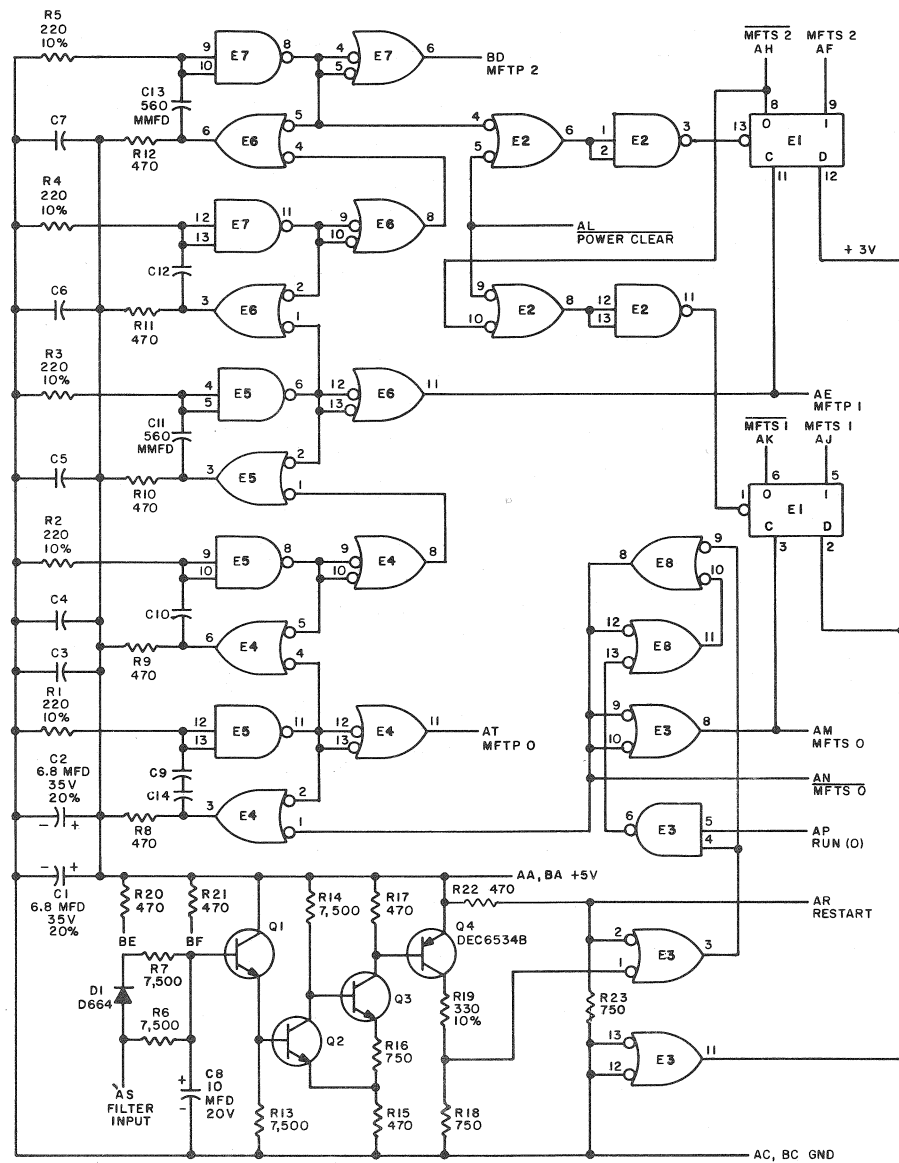
TITLE POSITIVE LEVEL DRIVER M660			
SIZE B	CODE CS	NUMBER M660-0-1	REV.
PRINTED CIRCUIT REV.			A

DEC FORM NO. DRB 102

↑ PINK

DIST. 1434 435 324

THIS SCHEMATIC IS FURNISHED ONLY FOR TEST AND MAINTENANCE PURPOSES. THE CIRCUITS ARE PROPRIETARY IN NATURE AND SHOULD BE TREATED ACCORDINGLY. COPYRIGHT 1967 BY DIGITAL EQUIPMENT CORPORATION



UNLESS OTHERWISE INDICATED:
 TRANSISTORS ARE DEC3009B
 CAPACITORS ARE .01 MFD
 RESISTORS ARE 1/4W, 5%
 E1 IS DEC7474M
 E2, E3, E4, E5, E6, E7, E8 ARE DEC7400N
 PIN 7 ON EACH IC = GND
 PIN 14 ON EACH IC = +5V

PARTS LIST A-PL-M700-0-0

REVISIONS	CHK'D	NO.	REV.
		000011	A
		000012	B

DRN	DATE
<i>M. Waller</i>	4-27-67
<i>W. Waller</i>	5/5/67
<i>W. Waller</i>	5/5/67
<i>W. Waller</i>	2-8-68

TRANSISTOR & DIODE CONVERSION CHART			
DEC	EIA	DEC	EIA
DEC3009B	2N3009		
DEC6534B	MPS6534		
D664	1N3606		

digital
 EQUIPMENT CORPORATION
 MAYNARD, MASSACHUSETTS

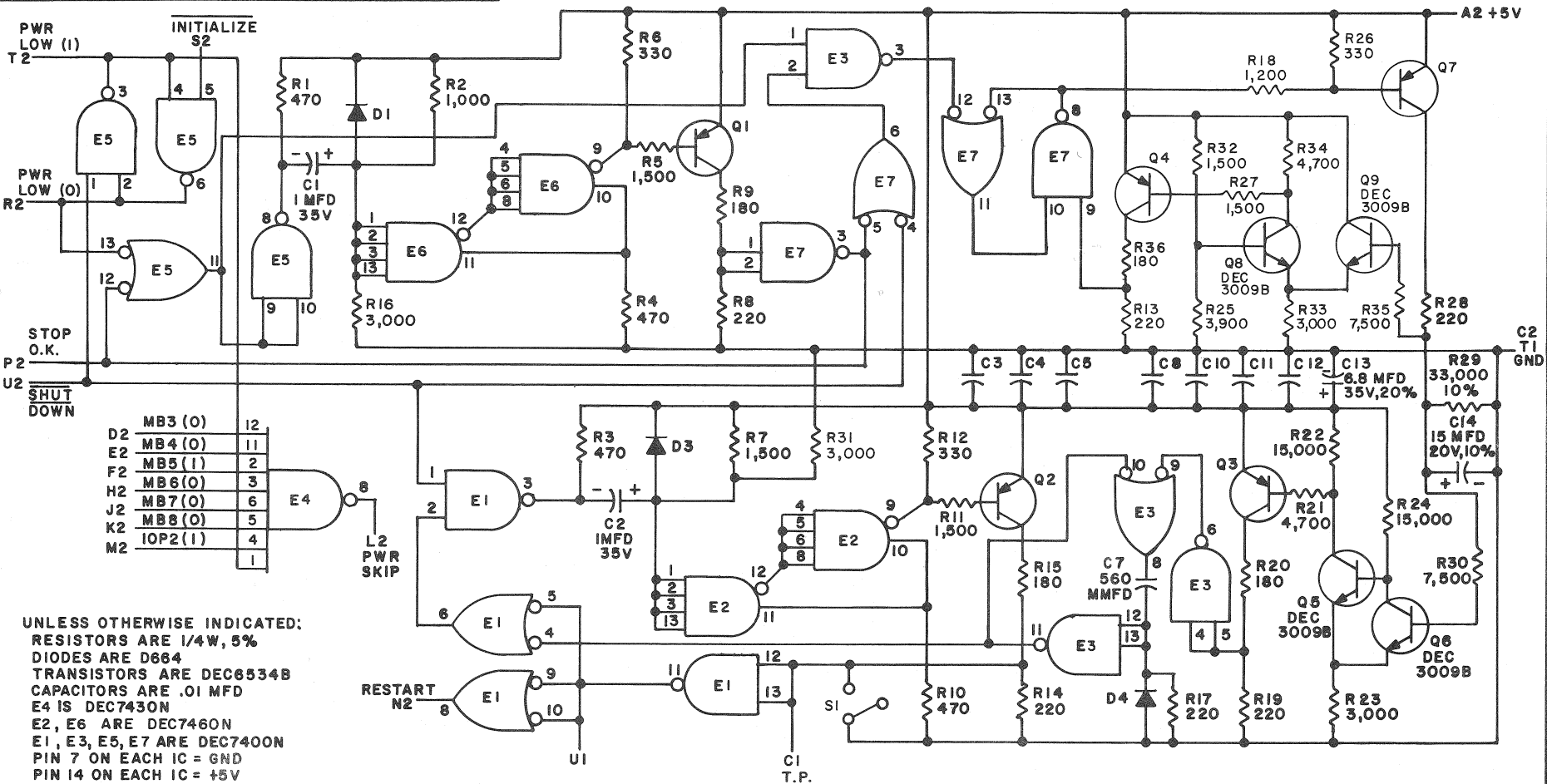
TITLE			NUMBER			REV.
MANUAL TIMING GENERATOR M700			M700-0-1			B
SIZE	CODE	NUMBER	PRINTED CIRCUIT REV.			
C	CS	M700-0-1	D			

DEC FORM NO. DRC 102

PINK

DIST. 324 434 435

THIS SCHEMATIC IS FURNISHED ONLY FOR TEST AND MAINTENANCE PURPOSES. THE CIRCUITS ARE PROPRIETARY IN NATURE AND SHOULD BE TREATED ACCORDINGLY. COPYRIGHT 1967 BY DIGITAL EQUIPMENT CORPORATION



UNLESS OTHERWISE INDICATED:
 RESISTORS ARE 1/4W, 5%
 DIODES ARE D664
 TRANSISTORS ARE DEC6534B
 CAPACITORS ARE .01 MFD
 E4 IS DEC7430N
 E2, E6 ARE DEC7460N
 E1, E3, E5, E7 ARE DEC7400N
 PIN 7 ON EACH IC = GND
 PIN 14 ON EACH IC = +5V
 S1 IS SWITCH #6ATI-T2

PARTS LIST A-PL-M703-0-0

DRN.	M. Keller	DATE	9-27-67
CHK'D		DATE	11/1/67
ENG.		DATE	1/15/68
PROD.	2	DATE	

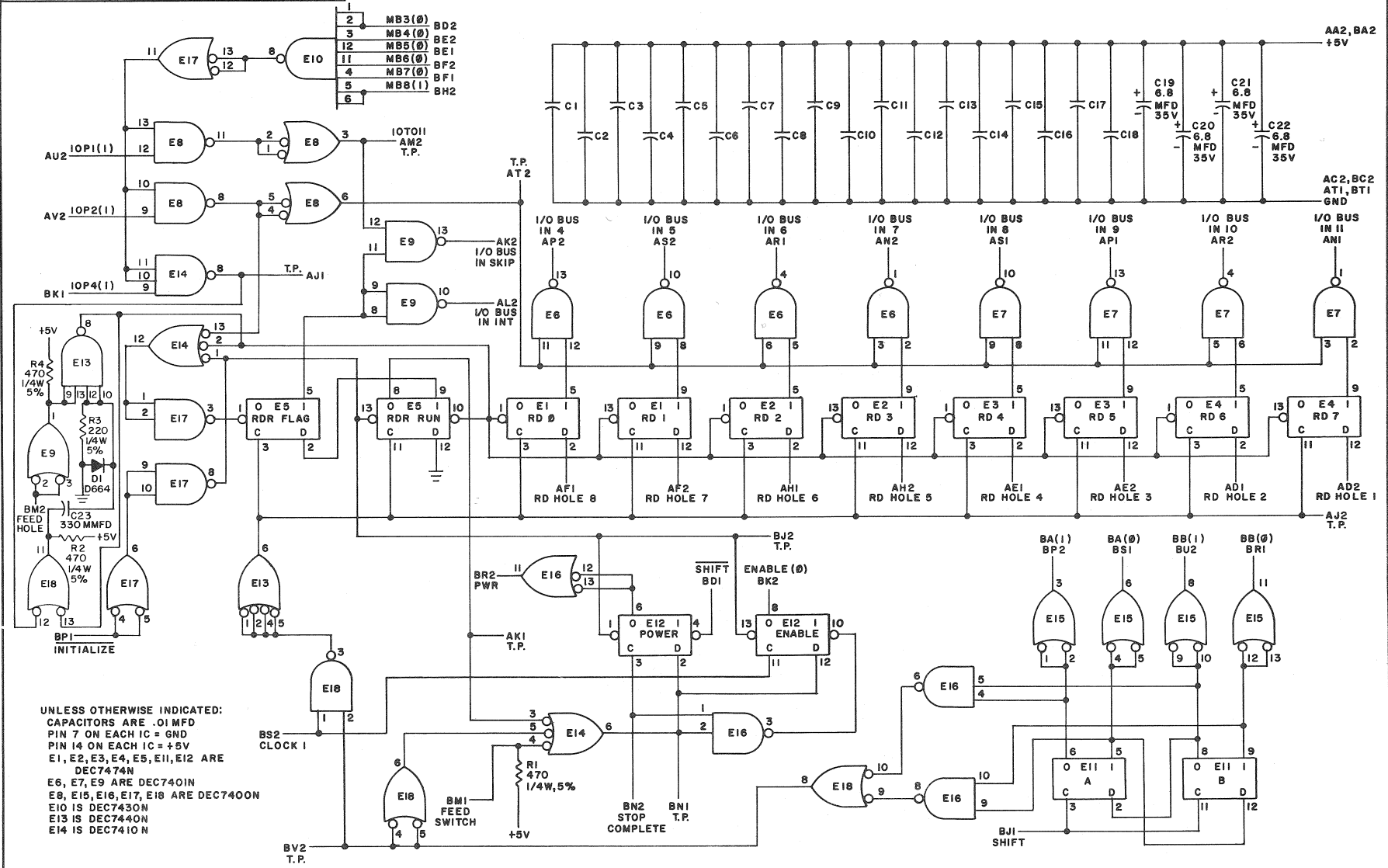
TRANSISTOR & DIODE CONVERSION CHART			
DEC	EIA	DEC	EIA
DEC6534B	MPS6534		
D664	IN3606		
DEC3009B	2N3009		

digital
 EQUIPMENT CORPORATION
 MAYNARD, MASSACHUSETTS

TITLE			
POWER FAIL M703			
SIZE	CODE	NUMBER	REV.
B	CS	M703-0-1	F
PRINTED CIRCUIT REV.			
H			

DIST 324 434 435 PINK

THIS SCHEMATIC IS FURNISHED ONLY FOR TEST AND MAINTENANCE PURPOSES. THE CIRCUITS ARE PROPRIETARY IN NATURE AND SHOULD BE TREATED ACCORDINGLY. COPYRIGHT 1967 BY DIGITAL EQUIPMENT CORPORATION



UNLESS OTHERWISE INDICATED:
 CAPACITORS ARE .01 MFD
 PIN 7 ON EACH IC = GND
 PIN 14 ON EACH IC = +5V
 E1, E2, E3, E4, E5, E11, E12 ARE
 DEC7474N
 E6, E7, E9 ARE DEC7401N
 E8, E15, E16, E17, E18 ARE DEC7400N
 E10 IS DEC7430N
 E13 IS DEC7440N
 E14 IS DEC7410N

REV. D
 NUMBER
 M705-0-1

REVISIONS	CHK	CHG	NO.	REV.
1			7017	B
2			7000	C
3			0000	D

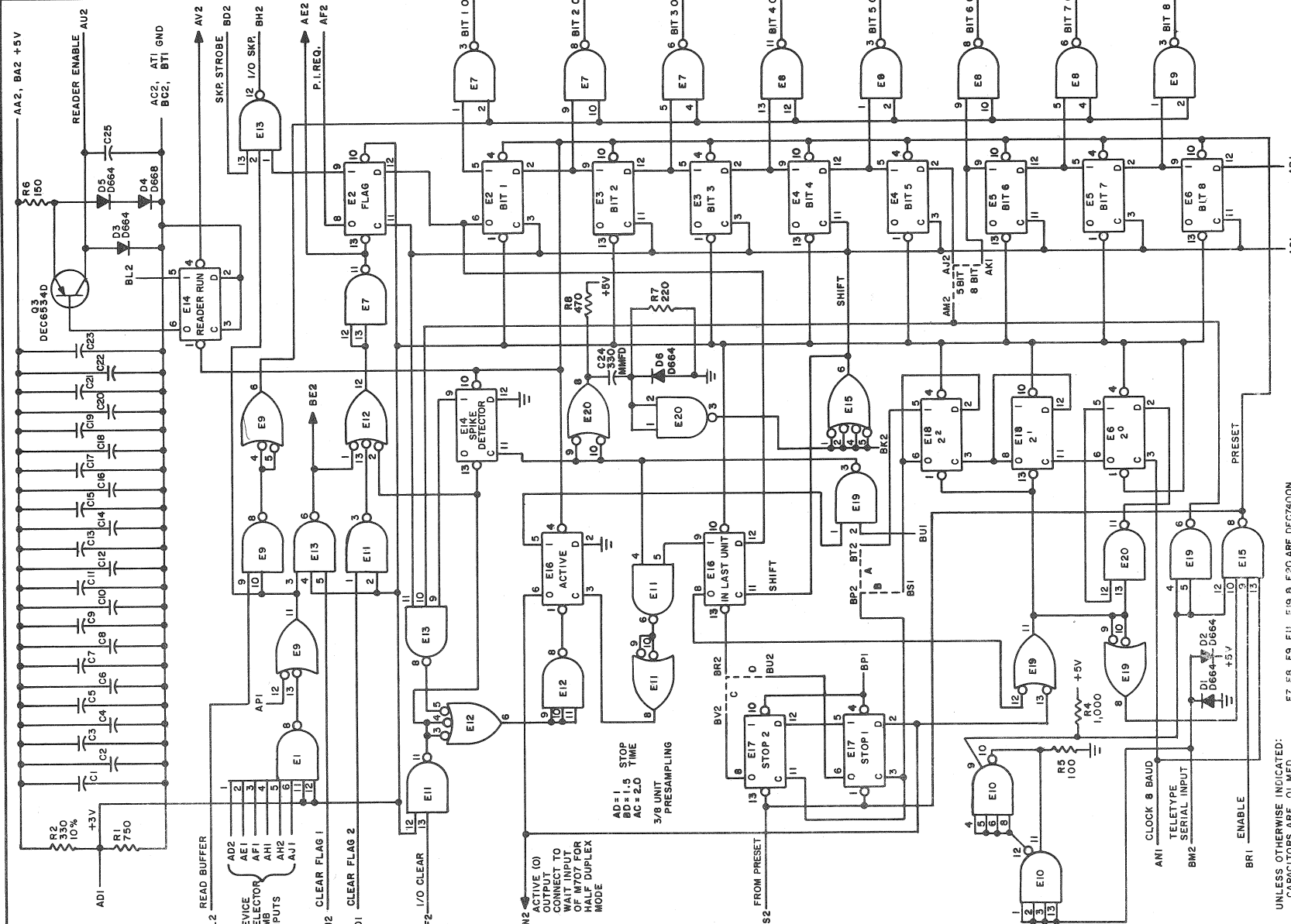
DRN. <i>M. Waller</i>	DATE 10-6-67
CHK'D	DATE
DATE	DATE
PROD. 2	DATE

TRANSISTOR & DIODE CONVERSION CHART			
DEC	EIA	DEC	EIA
D664	1N645		

digital
 EQUIPMENT CORPORATION
 MAYNARD, MASSACHUSETTS

TITLE	READER CONTROL M705
SIZE	C CS
NUMBER	M705-0-1
REV.	D

THIS SCHEMATIC IS FURNISHED ONLY FOR TEST AND MAINTENANCE PURPOSES. THE CIRCUITS ARE PROPRIETARY IN NATURE AND SHOULD BE TREATED ACCORDINGLY. COPYRIGHT 1967 BY DIGITAL EQUIPMENT CORPORATION



UNLESS OTHERWISE INDICATED:
CAPACITORS ARE .01 MFD.
RESISTORS ARE 1/4W, 5%
DIMENSIONS ARE DEC7430N
E10 IS DEC7460N
E1 IS DEC7430N
E2, E3, E4, E5, E6, E14, E16,
E17 & E18 ARE DEC7474N

REV.	CHG. NO.	REV.
1	6368	A
2	6578	B

DRN.	Mr. Kallen	DATE	9-30-67
CHKD.	Mr. Kallen	DATE	10/17
ENG.	D. Redetto	DATE	6-2-67
PROD.		DATE	

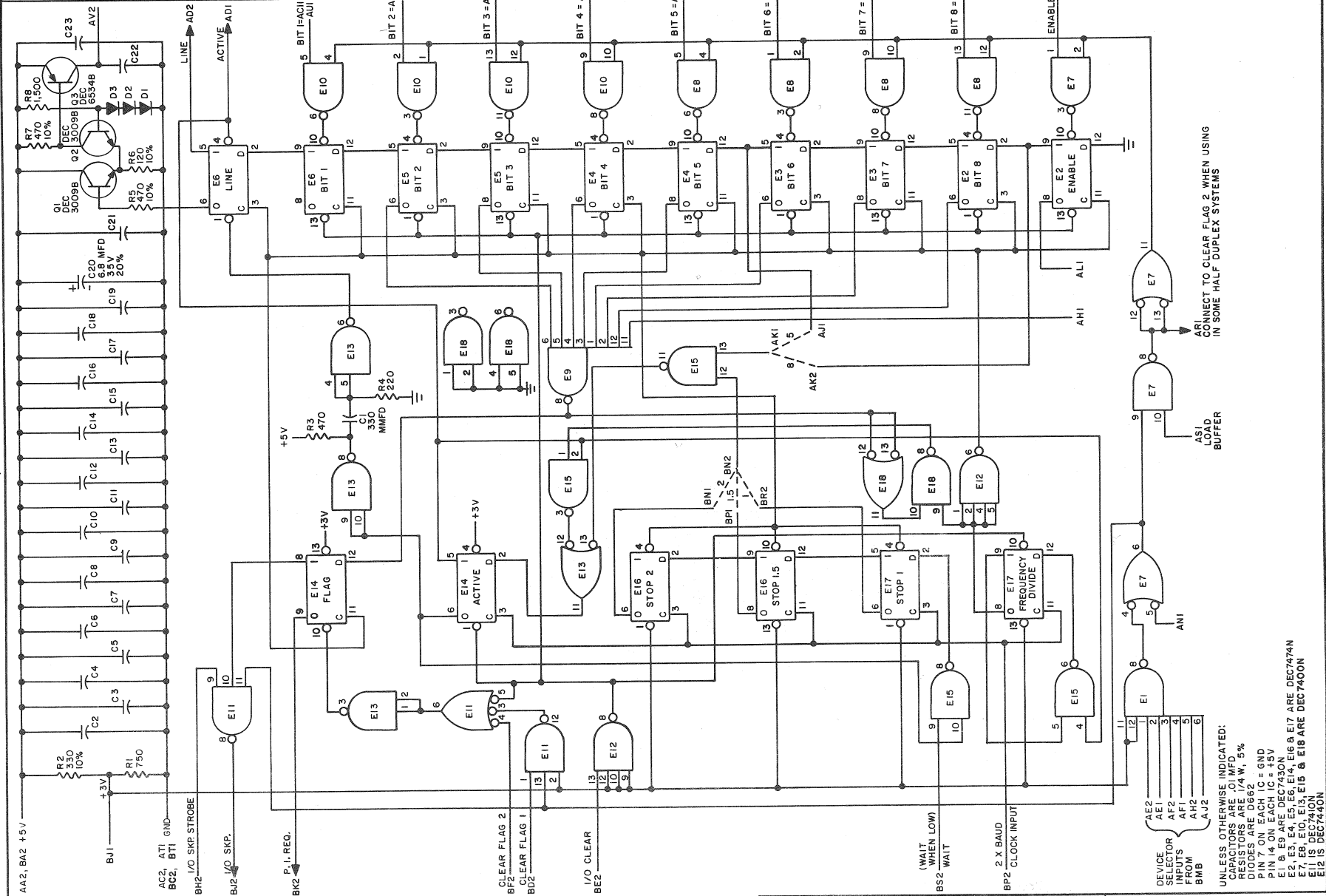
TRANSISTOR & DIODE CONVERSION CHART			
DEC	EIA	DEC	EIA
DEC3009B	2N3009		
DEC6534B	MPS6534		
D682	1N645		
D664	1N3606		



TITLE TELETYPE RECEIVER M706			
SIZE	CODE	NUMBER	REV.
C	CS	M706-0-1	D
PRINTED CIRCUIT REV.			

DEC FORM NO. DRC 102

THIS SCHEMATIC IS FURNISHED ONLY FOR TEST AND MAINTENANCE PURPOSES. THE CIRCUITS ARE PROPRIETARY IN NATURE AND SHOULD BE TREATED ACCORDINGLY. COPYRIGHT 1967 BY DIGITAL EQUIPMENT CORPORATION



REV.	CHG.	NO.	REV.
1	5357	1	A
2	5379	1	B

DRN.	DATE	DATE	DATE
<i>M. Waller</i>	5-29-67		
CHKD.	DATE	DATE	DATE
<i>Robert</i>	5/29/67		
ENG.	DATE	DATE	DATE
<i>Roberts</i>	5-23-67		
PROD.	DATE	DATE	DATE

TRANSISTOR & DIODE CONVERSION CHART			
DEC	EIA	DEC	EIA
D662	1N645		
DEC3009B	2N3009		
DEC6534B	MPS6534		

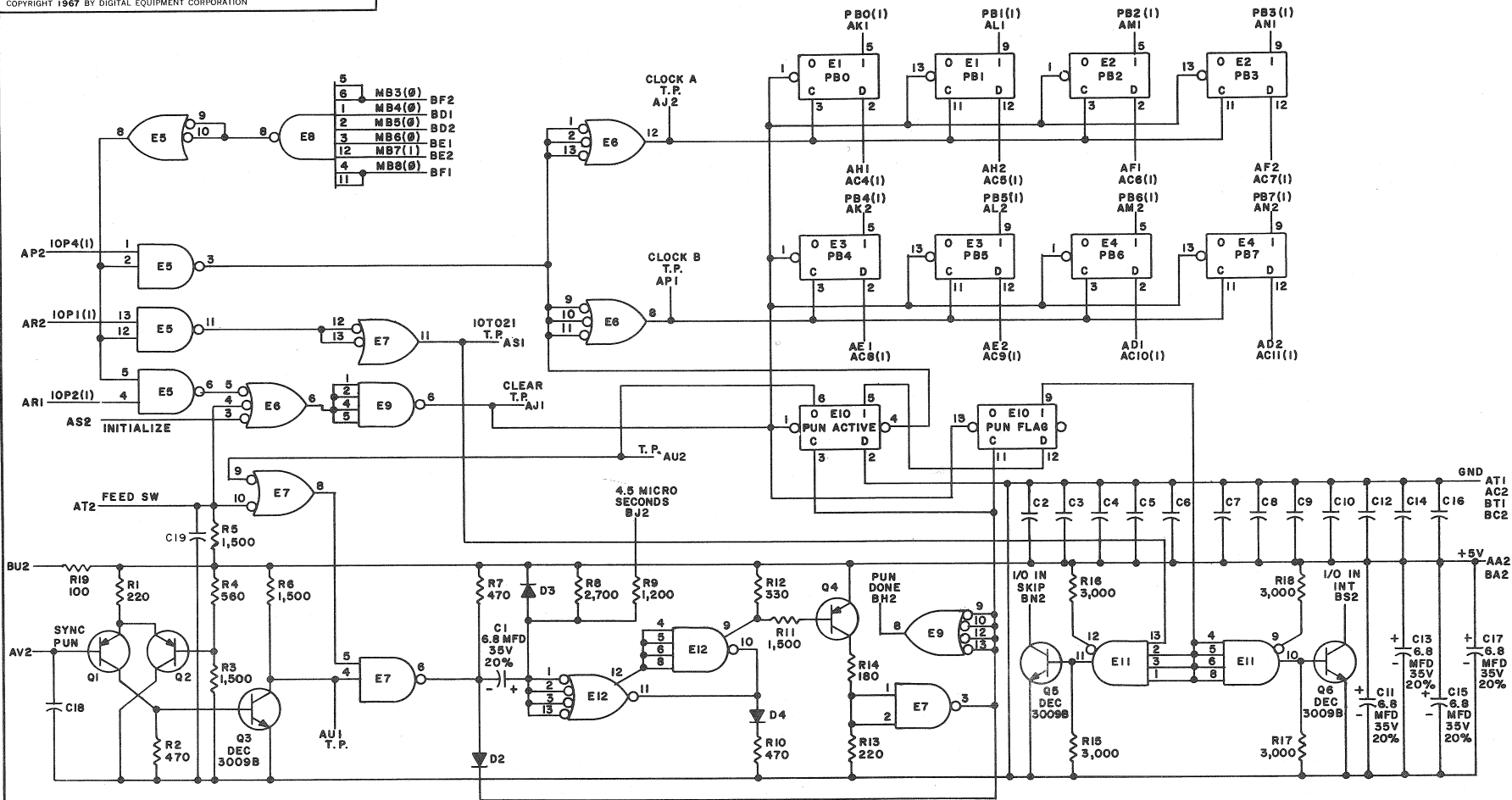
digital
EQUIPMENT CORPORATION
MAYNARD, MASSACHUSETTS

TITLE		TELETYPE TRANSMITTER M707	
SIZE	CODE	NUMBER	REV.
C	CS	M707-0-1	B
PRINTED CIRCUIT REV.			C

UNLESS OTHERWISE INDICATED:
CAPACITORS ARE .01 MFD.
RESISTORS ARE 1/4 W, 5%
DIODES ARE D662
PIN 7 ON EACH IC = GND
PIN 14 ON EACH IC = +3V
E1, E2, E3, E4, E5, E6, E14, E16 & E17 ARE DEC7474N
E7, E8, E10, E13, E15 & E18 ARE DEC7400N
E11 IS DEC7400N
E12 IS DEC7440N

SIZE CODE	NUMBER
C CS	M707-0-1
REV.	B

THIS SCHEMATIC IS FURNISHED ONLY FOR TEST AND MAINTENANCE PURPOSES. THE CIRCUITS ARE PROPRIETARY IN NATURE AND SHOULD BE TREATED ACCORDINGLY. COPYRIGHT 1967 BY DIGITAL EQUIPMENT CORPORATION



UNLESS OTHERWISE INDICATED:
 RESISTORS ARE 1/4W, 5%
 TRANSISTORS ARE DEC6534B
 CAPACITORS ARE .01 MFD
 PIN 7 ON EACH IC = GND
 PIN 14 ON EACH IC = +5V
 E1, E2, E3, E4, E10 ARE DEC7474N
 E5, E7 ARE DEC7400N
 E6 IS DEC7410N
 E8 IS DEC7430N
 E9 IS DEC7440N
 E11, E12 ARE DEC7460N
 DIODES ARE D664

PARTS LIST A-PL-M710-0-0

REV. NO.	1
CHK	6924
REV	C

DRN.	M. Waller	DATE	9-27-67
CHK'D	R. Johnson	DATE	12/26/67
DATE	9/16/67	DATE	
PROD.	2	DATE	

TRANSISTOR & DIODE CONVERSION CHART			
DEC	EIA	DEC	EIA
DEC3009B	2N3009		
DEC6534B	MP6534		
D664	1N3606		

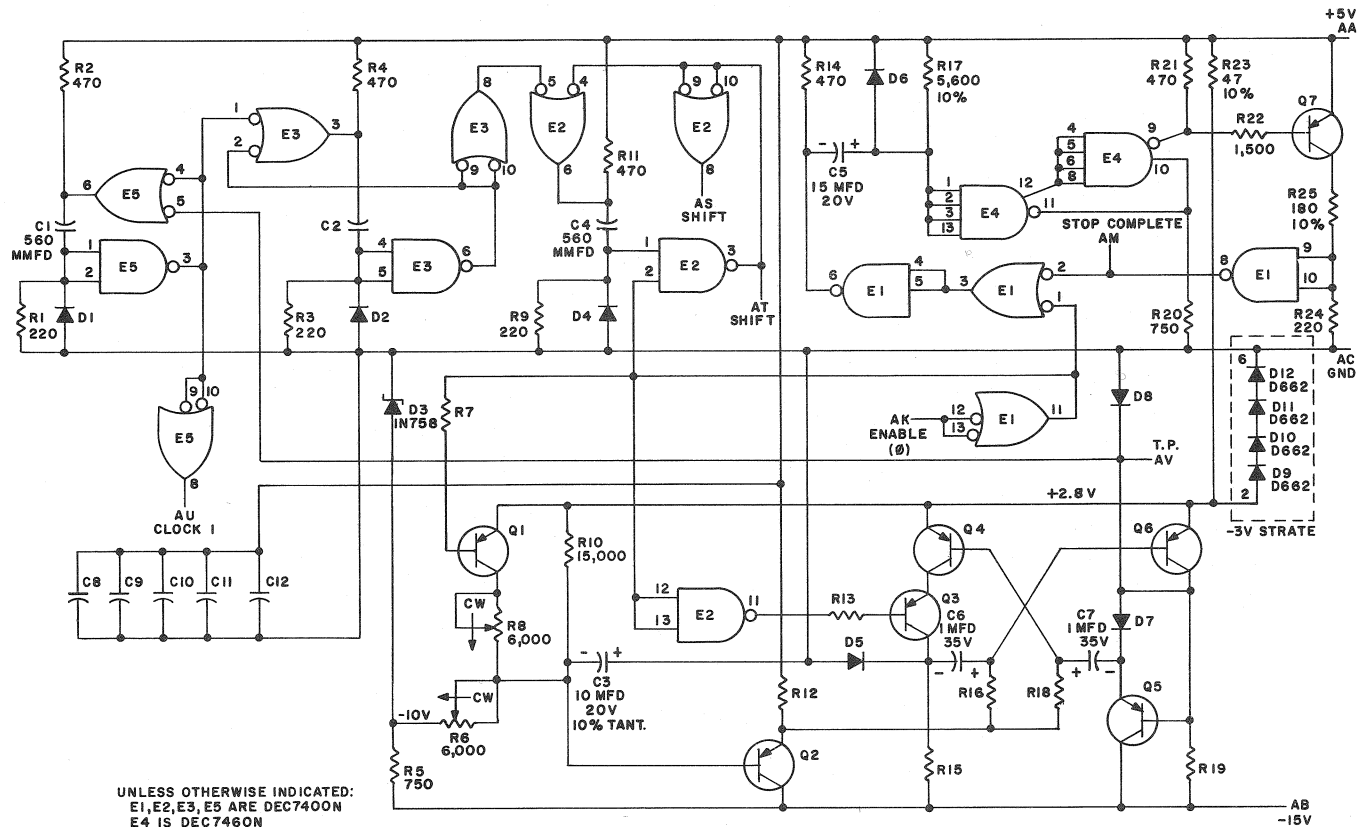
digital
 EQUIPMENT CORPORATION
 MAYNARD, MASSACHUSETTS

TITLE PUNCH CONTROL M710			
SIZE	CODE	NUMBER	REV.
C	CS	M710-0-1	C
PRINTED CIRCUIT REV. C			

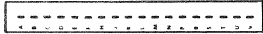
DEC FORM NO. DRC 102

DIST 324 434 435 PINK

THIS SCHEMATIC IS FURNISHED ONLY FOR TEST AND MAINTENANCE PURPOSES. THE CIRCUITS ARE PROPRIETARY IN NATURE AND SHOULD BE TREATED ACCORDINGLY. COPYRIGHT 1967 BY DIGITAL EQUIPMENT CORPORATION



UNLESS OTHERWISE INDICATED:
 E1, E2, E3, E5 ARE DEC7400N
 E4 IS DEC7460N
 PIN 7 ON EACH IC = GND
 PIN 14 ON EACH IC = +5V
 RESISTORS ARE 1/4W, 5%
 RESISTORS ARE 3,000
 CAPACITORS ARE .01MFD
 TRANSISTORS ARE DEC6534B
 DIODES ARE D664
 R6 & R8 ARE 13-05778-4



REVISIONS
 CHK (C/S) NO. REV.

DRN: *M. J. Miller*
 DATE: 10-16-67
 CTR: *...*
 DATE: *11/2/67*
 PRD: *...*
 DATE: *1/12/67*

TRANSISTOR & DIODE CONVERSION CHART	
DEC	EIA
DEC6534B	MPS6534
D662	IN645
D664	IN3606
IN758	SAME

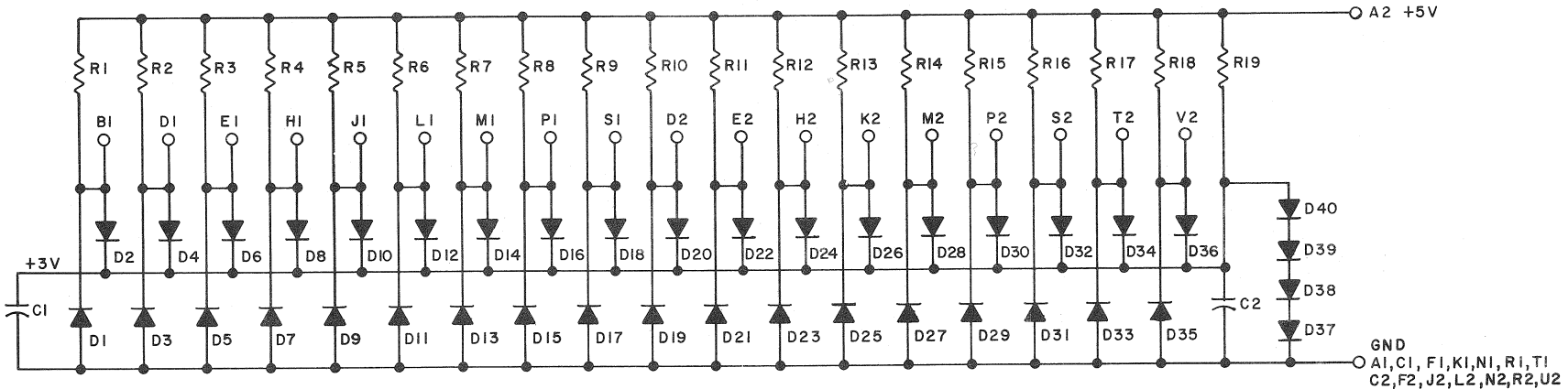
digital
 EQUIPMENT CORPORATION
 MAYNARD, MASSACHUSETTS

TITLE: READER CLOCK M715
 SIZE: C
 CODE: CS
 NUMBER: M715-0-1
 REV: A
 PRINTED CIRCUIT REV: A

SIZE CODE NUMBER
 C CS M715-0-1
 REV. A

REV.	NUMBER	CS	B
	1-0-906M		

THIS SCHEMATIC IS FURNISHED ONLY FOR TEST AND MAINTENANCE PURPOSES. THE CIRCUITS ARE PROPRIETARY IN NATURE AND SHOULD BE TREATED ACCORDINGLY. COPYRIGHT 1968 BY DIGITAL EQUIPMENT CORPORATION



 <----->
 <----->

R1-R19	RES. 220 1/4W 5% CC	1300271
D37-D40	DIODE D662	1100113
D1-D36	DIODE D664	1100114
C1, C2	CAP. .01MFD 100V 20% DISC	1001610
	PARTS LIST	A-PL-M906-0-0
REFERENCE DESIGNATION	DESCRIPTION	PART NO.

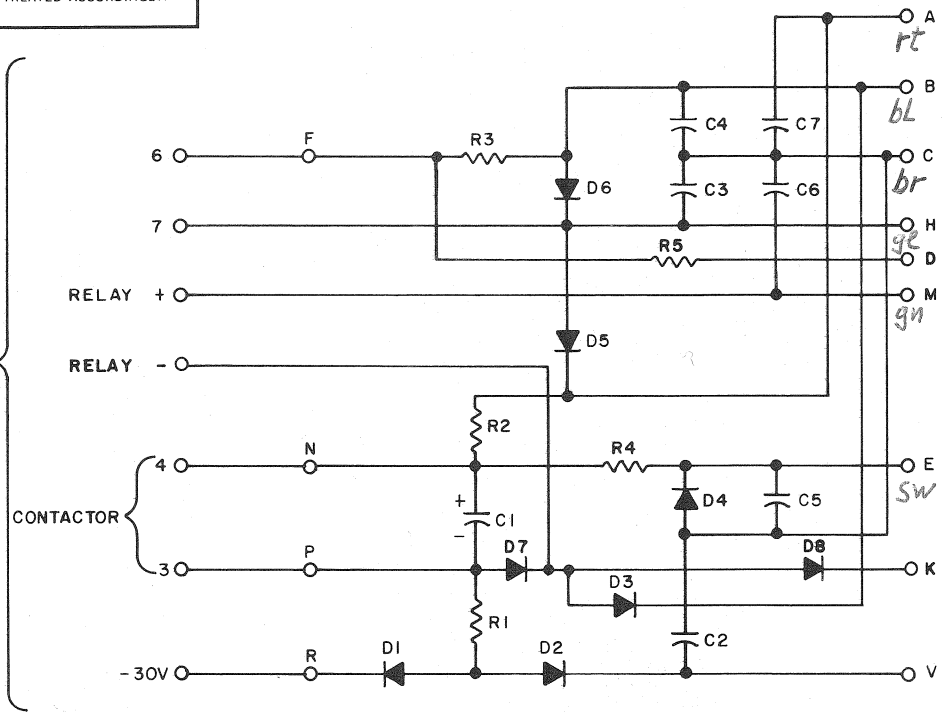
REVISIONS CHK CHG NO. REV.	DRN. <i>M. Keller</i>	DATE 8-2-68	TRANSISTOR & DIODE CONVERSION CHART				digital EQUIPMENT CORPORATION MAYNARD, MASSACHUSETTS	TITLE CABLE TERMINATOR M906			
	CHK'D <i>[Signature]</i>	DATE 8-2-68	DEC	EIA	DEC	EIA		SIZE B	CODE CS	NUMBER M906-0-1	REV.
	ENG. <i>[Signature]</i>	DATE 10/16/68	D662	IN645			PRINTED CIRCUIT REV. A				
	PROD.	DATE	D664	IN3606							

DIS7 324 434 435 PINK

DEC FORM NO. DRB 102

THIS SCHEMATIC IS FURNISHED ONLY FOR TEST AND MAINTENANCE PURPOSES. THE CIRCUITS ARE PROPRIETARY IN NATURE AND SHOULD BE TREATED ACCORDINGLY. COPYRIGHT 1967 BY DIGITAL EQUIPMENT CORPORATION

REV B
 NUMBER W076-0-1
 CS B
 SIZE B



DRIVE CURRENT (TRANSISTOR)	SINK CURRENT (INTEGRATED CIRCUIT)
+5V	+5V
-15V	+5V
GROUND	
LOGIC INPUT (0,-15V)	N.C.
N.C.	LOGIC INPUT (0,+5V)
READER ENABLE	
+5 & GND LEVELS OUT TO LOGIC	
N.C.	-15V
OPTIONAL	

R3	RES. 820 1/2W 10% CC	1300356
R4	RES. 750 1/2W 5% CC	1300354
R2	RES. 750 2W 5% CC	1301984
R1	RES. 1K 1W 10% CC	1301499
R5	RES. 120 1/2W 5% CC	1300243
D1-D8	DIODE D671	1103309
C2-C7	CAP. .01MFD 100V 20% DISC	1001610
C1	CAP. 1MFD 150V 10% FOIL	1000063
PARTS LIST		A-PL-W076-0-0
REFERENCE DESIGNATION	DESCRIPTION	PART NO.
PARTS LIST		

REVISIONS	CHK	CHG NO.	REV.
	B	7010	A
	W/M	00001	B
		00002	

DRN.	M. HALLER	DATE	5-18-67
CHK'D	N. PERRYMAN	DATE	5-23-67
ENG.	R. SOGGE	DATE	5-25-67
PROD.		DATE	

TRANSISTOR & DIODE CONVERSION CHART			
DEC		EIA	
D671		IN3653	

digital
 EQUIPMENT CORPORATION
 MAYNARD, MASSACHUSETTS

TITLE: **TELETYPE CONNECTOR W076**

SIZE: B
 CODE: CS
 NUMBER: W076-0-1
 REV: B

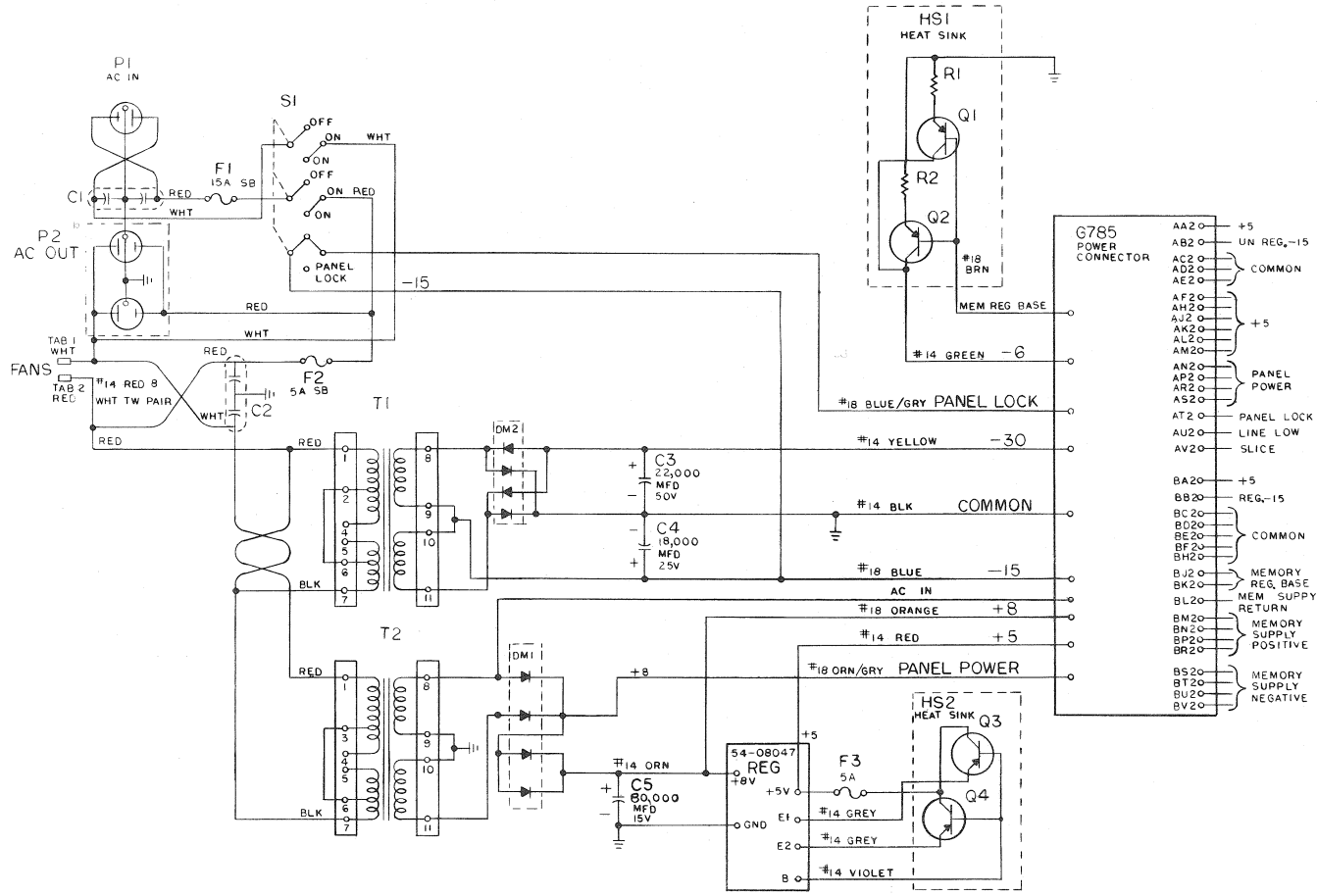
PRINTED CIRCUIT REV. C

DEC FORM NO. DRB 102

PINK DIST. 324 434 435

V 1-0-817 50 0
 10001 100

THIS SCHEMATIC IS FURNISHED ONLY FOR TEST AND MAINTENANCE PURPOSES. THE CIRCUITS ARE PROPRIETARY IN NATURE AND SHOULD BE TREATED ACCORDINGLY. COPYRIGHT © 68 BY DIGITAL EQUIPMENT CORPORATION



QTY	DESCRIPTION	PART NO.	REV.
1	JUNCTION TERM BUSHING RED	90-07231	TAB 2
1	JUNCTION TERM BUSHING WHITE	90-07235	TAB 1
2	HEAT SINK WAREFIELD NC-603AA	12-091001	HS1
2	TRANSISTOR 2N4399	15-05870	Q3,4
2	CAP BRACKET	12-01406	C3,4
2	RESISTOR 1/4W 5% 150-428	13-05428	R1,2
2	TRANSISTOR 2N3790	15-03399	Q1,2
1	CAP BRACKET SPRAGUE CMC 32	12-09242	Q2
3	FUSEHOLDER BUSS	12-04707	F1,2,3
1	FUSE 5A 50 SAG	90-07224	F1
1	FUSE 5A 5AG	90-07227	F2
1	FUSE 1/2A 50 SAG	54-08047	REG
1	+5V REGULATOR	67-85	REG
1	POWER CONNECTOR	67-85	REG
1	POWER RECEPTICLE FEMALE DBL	12-5351	P1
1	POWER RECEPTICLE MALE	12-5352	P2
1	KEY SWITCH	12-09236	S1
2	TRANSFORMER STANCOR RT-204	12-0215	T1,2
2	CAPACITOR BATHTUB 2 X 1MFD50VDC	10-02153	C1,2
1	CAPACITOR 2200MFD 50VDC	10-09189	C3
1	CAPACITOR 1800MFD 25VDC	10-09188	C4
1	CAPACITOR 8000MFD 15VDC	10-09190	C5
1	DM1 RECTIFIER	11-0539	DM2
1	DM1 RECTIFIER	11-02955	DM1

REV.	DATE	BY	CHKD.	APP'D.	DESCRIPTION
1	10/2/68

REV.	DATE	BY	CHKD.	APP'D.	DESCRIPTION
1	10/2/68

DIG FORM NO. 100 10

digital

**REPLACEMENT
SCHEMATICS**

PDP-8/L