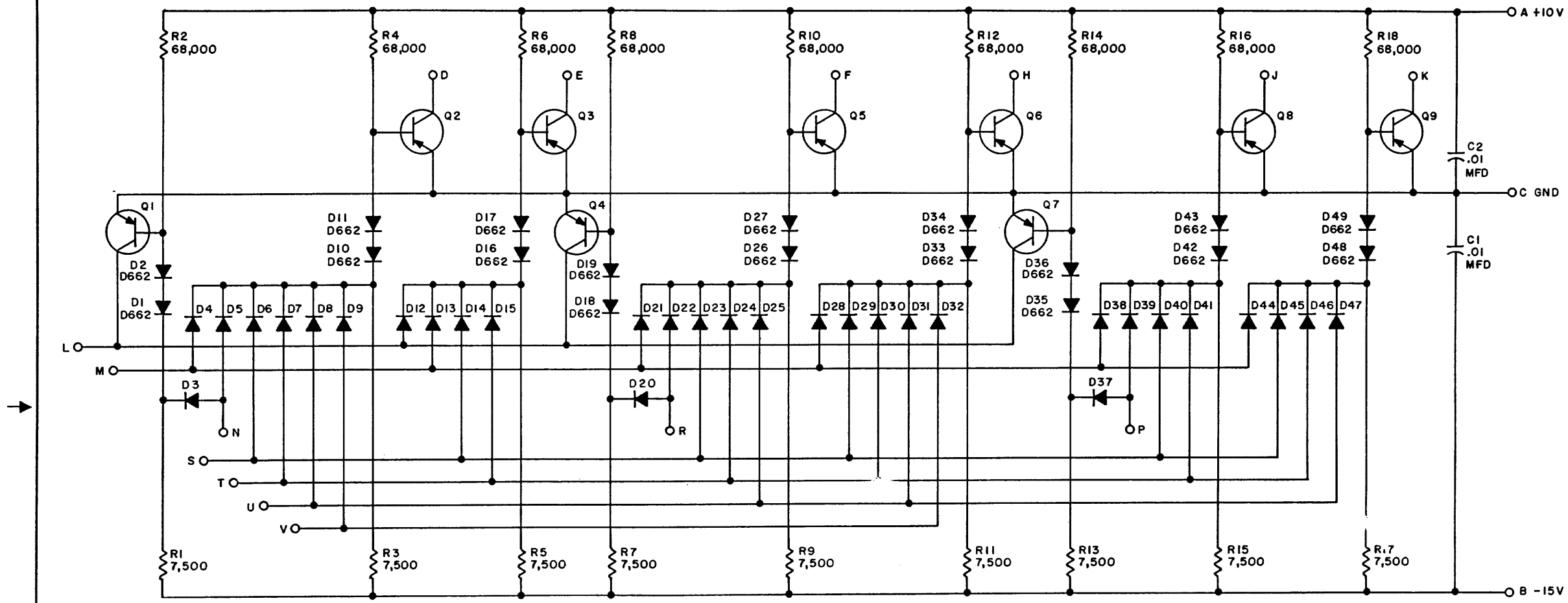


THIS SCHEMATIC IS FURNISHED ONLY FOR TEST AND MAINTENANCE PURPOSES. THE CIRCUITS ARE PROPRIETARY IN NATURE AND SHOULD BE TREATED ACCORDINGLY. COPYRIGHT 1967 BY DIGITAL EQUIPMENT CORPORATION



UNLESS OTHERWISE INDICATED:
 TRANSISTORS ARE 2N4258
 RESISTORS ARE 1/4W, 5%
 DIODES ARE D664

REV. 1
 NUMBER B166-0-1
 SIZE CODE C CS

| REV. NO. | CHK | CHG | NO. | REV. |
|----------|-----|-----|-----|------|
| 1 | | | | |

| | | | |
|--------|--------------------|------|---------|
| DRN. | <i>M. Waller</i> | DATE | 3-30-67 |
| CHK'D. | <i>[Signature]</i> | DATE | 3/31/67 |
| ENG. | <i>[Signature]</i> | DATE | 3-31-67 |
| PROD. | | DATE | |

| TRANSISTOR & DIODE CONVERSION CHART | | | |
|-------------------------------------|--------|-----|-----|
| DEC | EIA | DEC | EIA |
| 2N4258 | 2N4258 | | |
| D662 | 1N645 | | |
| D664 | 1N3606 | | |

digital
 EQUIPMENT CORPORATION
 MAYNARD, MASSACHUSETTS

| | | | |
|-----------------------------|------|----------|------|
| TITLE COUNTING GATE B166 | | | |
| SIZE | CODE | NUMBER | REV. |
| C | CS | B166-0-1 | |
| PRINTED CIRCUIT REV. | | | A |