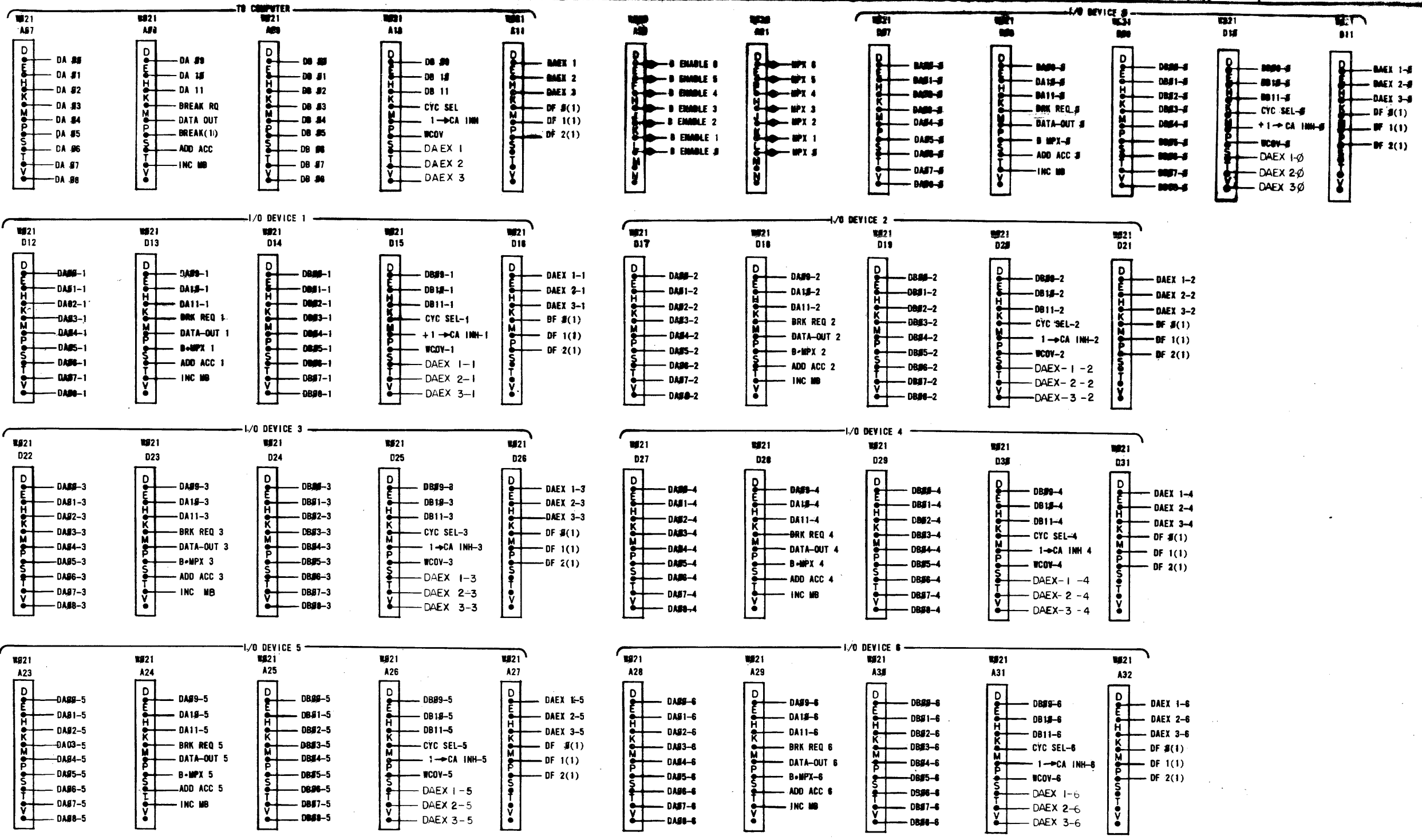


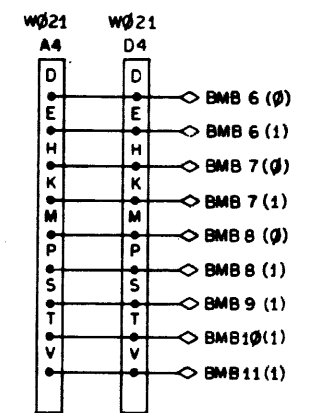
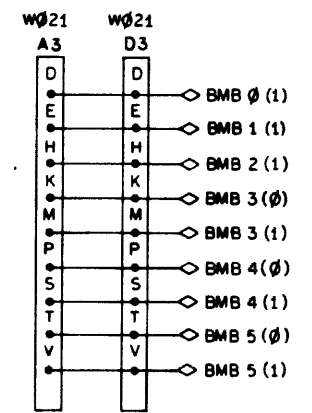
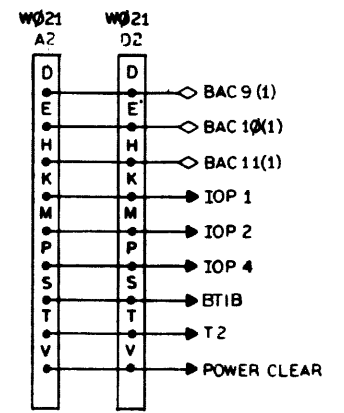
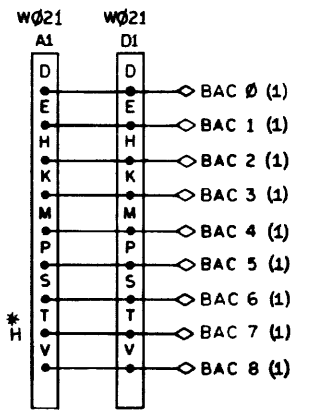
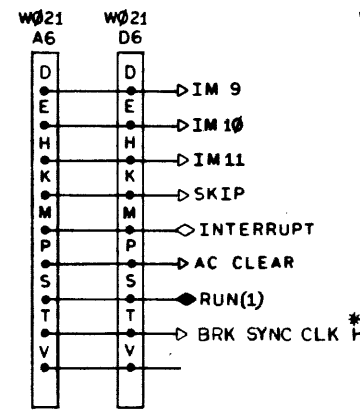
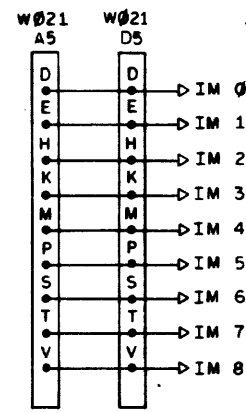
This drawing and specifications, herein, are the property of Digital Equipment Corporation and shall not be reproduced or copied or used in whole or in part on the basis for the manufacture or sale of items without written permission.




PINS C,F,I,N,R,U ARE ALL GROUND ON W021'S

REVISIONS	
CHG	REV.
47	A
139	B
140	C
141	D
142	E
143	F
144	G
145	H
146	I
147	J
148	K
149	L
150	M
151	N
152	O
153	P
154	Q
155	R
156	S
157	T
158	U
159	V
160	W
161	X
162	Y
163	Z

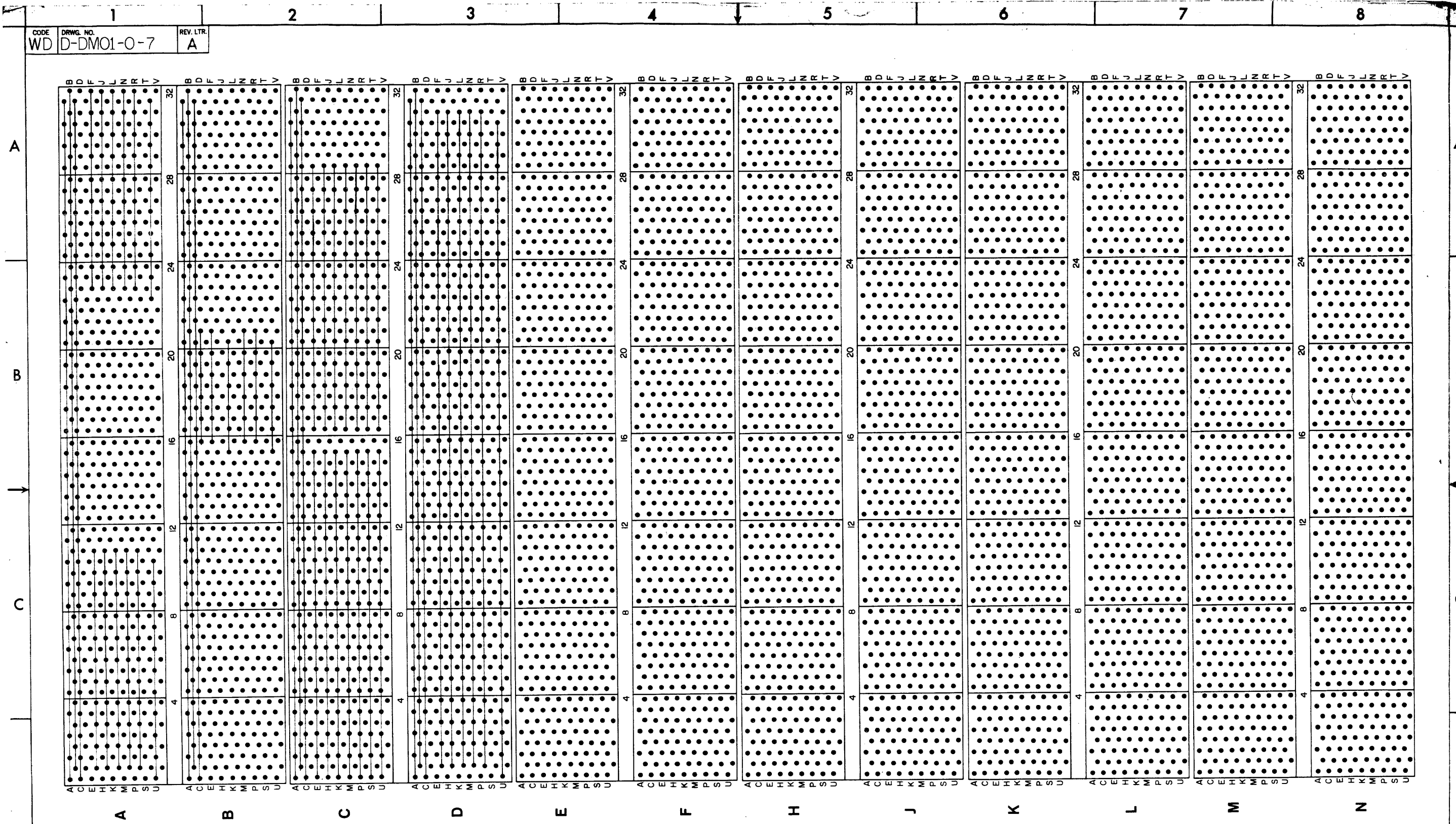
QTY.	DESCRIPTION	PART NO.	ITEM NO.
	DO NOT SCALE DRAWING		
	UNLESS OTHERWISE SPECIFIED		
	DIMENSION IN INCHES		
	TOLERANCES		
	DECIMALS FRACTIONS ANGLES		
	± .005 ± .001 ± .001		
	FINAL SURFACE QUALITY		
	REMOVE BURRS AND BREAK SHARP CORNERS		
	MATERIAL		
	FINISH		
	DRN. G. BOURBEAU DATE 12/28/65		
	CHK'D. J.E. CARROLL DATE 12/28/65		
	ENG. J.E. CARROLL DATE 12/28/65		
	PROJ. ENR. E.D. CASTRO DATE 12/22/65		
	PROD. E.D. CASTRO DATE 12/22/65		
	FIRST USED ON		
	SCALE		
	SHEET 1 OF 1		
	DESCRIPTION	PARTS LIST	
	DIGITAL EQUIPMENT CORPORATION		
	MATNARD, MASSACHUSETTS		
	TITLE		
	DATA MULTIPLEXER		
	CONNECTORS		
	CODE	SIZE	NUMBER
	BS	D-DM01-0-5	D
	DIST.		



C, E, H, K, M, P, S, T, V ALL GND'D ON W021'S
 * SEE NOTE ON D-BS-DM01-0-2

REV. LTR		DATE		 digital EQUIPMENT CORPORATION NATHAN, MASSACHUSETTS	TITLE
NO.		DATE			I/O CONNECTORS
DESIGNED	DATE	CHECKED	DATE	FOR	
DRAWN	DATE	APP'D	DATE	CODE	DRWG. NO.
ENG	DATE	ENG	DATE	BS	D-DM01-0-6
ASSY NO.		REV. LTR		B	
SHEET				OF	

CODE WD DRWG. NO. D-DMO1-0-7 REV. LTR. A



REV. LTR. A	105	1/1/65	12/20/65	12/20/65	<p>digital EQUIPMENT CORPORATION MAYNARD, MASSACHUSETTS</p>	TITLE BUSSED WIRING
	105	1/1/65	12/20/65	12/20/65		FOR
	105	1/1/65	12/20/65	12/20/65		ASSY NO
	105	1/1/65	12/20/65	12/20/65		CODE DRWG. NO. REV. LTR. WD D-DMO1-0-7 A
SHEET		OF		DIST.		8

COLOR	NAME	PIN	LOCATION	LOCATION	REMARKS
		A			BLANK
**		B			BLANK
W/BLK	GND	C			
W/BRN	DATA BIT 0	D	A9 (DM01)	PE 04 (PDP-8)	* LENGTH OF CABLE
W/RED	GND	X	↑	↑	PER SYSTEM
W/ORN	DATA BIT 1	E			CONFIGURATION
W/YEL	GND	F			
W/GRN	DATA BIT 2	H			
W/BLU	GND	J			
W/VIO	DATA BIT 3	K			** 9 CONDUCTOR
W/GRY	GND	L			CO-AXIAL CABLE
WHT	DATA BIT 4	M			
W/BLK	GND	N			
W/BRN	DATA BIT 5	P			
W/RED	GND	R			
W/ORN	DATA BIT 6	S			
W/YEL	GND	X			
W/GRN	DATA BIT 7	T			
W/BLU	GND	U	↓	↓	
W/VIO	DATA BIT 8	V	A9 (DM01)	PE 04 (PDP-8)	
W/GRY	GND	X			

COLOR	NAME	PIN	LOCATION	LOCATION	REMARKS
		A			BLANK
**		B			BLANK
W/BLK	GND	C			
W/BRN	DATA BIT 9	D	A10 (DM01)	PF 04 (PDP-8)	*LENGTH OF CABLE
W/RED	GND	X	↑	↑	PER SYSTEM
W/ORN	DATA BIT 10	E			CONFIGURATION
W/YEL	GND	F			
W/GRN	DATA BIT 11	H			
W/BLU	GND	J			** 9 CONDUCTOR
W/VIO	CYC SEL	K			CO-AXIAL CABLE
W/GRY	GND	L			
WHT	+1 CA INH	M			
W/BLK	GND	N			
W/BRN	WCOV	P			
W/RED	GND	R			
W/ORN	DAEX 1	S			
W/YEL	GND	X			
W/GRN	DAEX 2	T			
W/BLU	GND	U			
W/VIO	DAEX 3	V	A10 (DM01)	PF 04 (PDP-8)	
W/GRY	GND	X			

REV. LTR.	ECO. NO.	DATE	ENG.	digital EQUIPMENT CORPORATION MAYNARD, MASSACHUSETTS	SIGNAL CABLE CONNECTOR			
					TITLE W021 - *C - W011			
				DRAWN M. Macie 12/2/65	FOR DM01			
				CHECKED <i>J. Caswell</i>	CODE	DRWG. NO.	REV.	
				ENG. <i>J. Caswell</i>	CL	A-DM01-0-9	B	
				PROD. <i>J. Caswell</i>	SHEET	9 OF 10		
					DIST.			

REV. LTR.	ECO. NO.	DATE	ENG.	digital EQUIPMENT CORPORATION MAYNARD, MASSACHUSETTS	SIGNAL CABLE CONNECTOR			
					TITLE W021 - *C - W011			
				DRAWN M. Macie 12/2/65	FOR DM01			
				CHECKED <i>J. Caswell</i>	CODE	DRWG. NO.	REV.	
				ENG. <i>J. Caswell</i>	CL	A-DM01-0-9	B	
				PROD. <i>J. Caswell</i>	SHEET	10 OF 10		
					DIST.			

COLOR	NAME	PIN	LOCATION	LOCATION	REMARKS
		A			BLANK
**		B			BLANK
W/BLK	GND	C			
W/BRN	BAC 0(1)	D	A1 (DM01)	ME 34 (PDP-8)	*LENGTH OF
W/RED	GND	X	↑	↑	CABLE PER SYSTEM
W/ORN	BAC 1(1)	E			CONFIGURATION
W/YEL	GND	F			
W/GRN	BAC 2(1)	H			
W/BLU	GND	J			
W/VIO	BAC3(1)	K			**
W/GRY	GND	L			9 CONDUCTOR
WHT	BAC 4(1)	M			CO-AXIAL CABLE
W/BLK	GND	N			
W/BRN	BAC 5(1)	P			
W/RED	GND	R			
W/ORN	BAC 6(1)	S			
W/YEL	GND	X			
W/GRN	BAC 7(1)	T			
W/BLU	GND	U	↓	↓	
W/VIO	BAC 8(1)	V	A1 (DM01)	ME 34 (PDP-8)	
W/GRY	GND	X			


COLOR	NAME	PIN	LOCATION	LOCATION	REMARKS
		A			BLANK
**		B			BLANK
W/BLK	GND	C			
W/BRN	BAC 9(1)	D	A2 (DM01)	MF 34 (PDP-8)	*LENGTH OF
W/RED	GND	X	↑	↑	CABLE PER
W/ORN	BAC 10(1)	E			SYSTEM
W/YEL	GND	F			CONFIGURATION
W/GRN	BAC 11(1)	H			
W/BLU	GND	J			
W/VIO	IOP 1	K			
W/GRY	GND	L			** 9 CONDUCTOR
WHT	IOP 2	M			CO-AXIAL CABLE
W/BLK	GND	N			
W/BRN	IOP 3	P			
W/RED	GND	R			
W/ORN	T1	S			
W/YEL	GND	X			
W/GRN	T2	T			
W/BLU	GND	U	↓	↓	
W/VIO	PWR CLR	V	A2 (DM01)	MF 34 (PDP-8)	
W/GRY	GND	X			


REV. LTR.	ECO. NO.	DATE	ENG.	digital EQUIPMENT CORPORATION MAYNARD, MASSACHUSETTS	SIGNAL CABLE CONNECTOR		
A	47	3-4-66	J.C.		TITLE	W021 - *C - W011	
B	DM01-00005			DRAWN M. Macie 12/2/65	FOR	DM01	
				CHECKED J.P. Lowell	CODE	DRWG. NO.	
				ENG. J.P. Lowell	CL	A-DM01-0-9	
				PROD. J.P. Lowell	SHEET	1 OF 10	
					DIST.		

REV. LTR.	ECO. NO.	DATE	ENG.	digital EQUIPMENT CORPORATION MAYNARD, MASSACHUSETTS	SIGNAL CABLE CONNECTOR		
					TITLE	W021 - *C - W011	
				DRAWN M. Macie 12/2/65	FOR	DM01	
				CHECKED J.P. Lowell	CODE	DRWG. NO.	
				ENG. J.P. Lowell	CL	A-DM01-0-9	
				PROD. J.P. Lowell	SHEET	2 OF 10	
					DIST.		

COLOR	NAME	PIN	LOCATION	LOCATION	REMARKS
		A			BLANK
**		B			BLANK
W/BLK	GND	C			
W/BRN	BMB 6(0)	D	A4 (DM01)	MF 35 (PDP-8)	* LENGTH OF
W/RED	GND	X	↑	↑	CABLE PER
W/ORN	BMB 6(1)	E			SYSTEM
W/YEL	GND	F			CONFIGURATION
W/GRN	BMB 7(0)	H			
W/BLU	GND	J			
W/VIO	BMB 7(1)	K			** 9 CONDUCTOR
W/GRY	GND	L			CO-AXIAL CABLE
WHT	BMB 8(0)	M			
W/BLK	GND	N			
W/BRN	BMB 8(1)	P			
W/RED	GND	R			
W/ORN	BMB 9(1)	S			
W/YEL	GND	X			
W/GRN	BMB 10(1)	T	↓	↓	
W/BLU	GND	U			
W/VIO	BMB 11(1)	V	A4 (DM01)	MF 35 (PDP-8)	
W/GRY	GND	X			

COLOR	NAME	PIN	LOCATION	LOCATION	REMARKS
		A			BLANK
**		B			BLANK
W/BLK	GND	C			
W/BRN	BMB 0(1)	D	A3 (DM01)	ME 35 (PDP-8)	*LENGTH OF
W/RED	GND	X	↑	↑	CABLE PER
W/ORN	BMB 1(1)	E			SYSTEM
W/YEL	GND	F			CONFIGURATION
W/GRN	BMB 2(1)	H			
W/BLU	GND	J			
W/VIO	BMB 3(0)	K			** 9 CONDUCTOR
W/GRY	GND	L			CO-AXIAL CABLE
WHT	BMB 3(1)	M			
W/BLK	GND	N			
W/BRN	BMB 4(0)	P			
W/RED	GND	R			
W/ORN	BMB 4(1)	S			
W/YEL	GND	X			
W/GRN	BMB 5(0)	T	A3 (DM01)	ME 35 (PDP-8)	
W/BLU	GND	U			
W/VIO	BMB 5(1)	V			
W/GRY	GND	X			

REV. LTR.	ECO. NO.	DATE	ENG.	 digital EQUIPMENT CORPORATION MAYNARD, MASSACHUSETTS	SIGNAL CABLE CONNECTOR			
					TITLE			
					W021 - *C - W011			
					FOR DM01			
				DRAWN	M. Macie 12/8/65			FOR
				CHECKED	<i>J. E. Lawell</i>			CODE
				ENG	<i>J. E. Lawell</i>			DRWG. NO.
				PROD.	<i>J. E. Lawell</i>			CL
					A-DM01-0-9			REV.
					SHEET 4 OF 10			B
					DIST.			

REV. LTR.	ECO. NO.	DATE	ENG.	 digital EQUIPMENT CORPORATION MAYNARD, MASSACHUSETTS	SIGNAL CABLE CONNECTOR			
A	47	3-4-66			TITLE			
					W021 - *C - W011			
					FOR DM01			
				DRAWN	M. Macie 12/2/65			FOR
				CHECKED	<i>J. E. Lawell</i>			CODE
				ENG	<i>J. E. Lawell</i>			DRWG. NO.
				PROD.	<i>J. E. Lawell</i>			CL
					A-DM01-0-9			REV.
					SHEET 3 OF 10			B
					DIST.			


COLOR	NAME	PIN	LOCATION	LOCATION	REMARKS
		A			BLANK
**		B			BLANK
W/BLK	GND	C			
W/BRN	IM 0	D	A5 (DM01)	PE 02 (PDP-8)	*LENGTH OF CABLE
W/RED	GND	X	↑	↑	PER SYSTEM
W/ORN	IM 1	E			CONFIGURATION
W/YEL	GND	F			
W/GRN	IM 2	H			
W/BLU	GND	J			
W/VIO	IM 3	K			** 9 CONDUCTOR
W/GRY	GND	L			CO-AXIAL CABLE
WHT	IM 4	M			
W/BLK	GND	N			
W/BRN	IM 5	P			
W/RED	GND	R			
W/ORN	IM 6	S			
W/YEL	GND	X			
W/GRN	IM 7	T			
W/BLU	GND	U	↓	↓	
W/VIO	IM 8	V	A5 (DM01)	PE 02 (PDP-8)	
W/GRY	GND	X			

REV. LTR.	ECO. NO.	DATE	ENG.	digital EQUIPMENT CORPORATION MAYNARD, MASSACHUSETTS	SIGNAL CABLE CONNECTOR				
					TITLE W021 - *C - W011				
				DRAWN M. Macie 12/2/65	FOR DM01				
					CHECKED <i>S.F. Cussell</i>	CODE	DRWG. NO.	REV.	
				ENG. <i>S.F. Cussell</i>	CL	A-DM01-0-9	B		
				PROD. <i>S.F. Cussell</i>	SHEET	5	OF	10	
					DIST.				


COLOR	NAME	PIN	LOCATION	LOCATION	REMARKS
		A			BLANK
**		B			BLANK
W/BLK	GND	C			
W/BRN	IM 9	D	A6 (DM01)	PF 02 (PDP-8)	* LENGTH OF CABLE
W/RED	GND	X	↑	↑	PER SYSTEM
W/ORN	IM 10	E			CONFIGURATION
W/YEL	GND	F			
W/GRN	IM 11	H			
W/BLU	GND	J			
W/VIO	SKIP	K			** 9 CONDUCTOR
W/GRY	GND	L			COAXIAL CABLE
WHT	INTERRUPT	M			
W/BLK	GND	N			
W/BRN	AC CLR	P			
W/RED	GND	R			
W/ORN	RUN(1)	S			
W/YEL	GND	X			
W/GRN	TT INST.	T			
W/BLU	GND	U	↓	↓	
W/VIO	LINE(1)	V	A6 (DM01)	PF 02 (PDP-8)	
W/GRY	GND	X			

REV. LTR.	ECO. NO.	DATE	ENG.	digital EQUIPMENT CORPORATION MAYNARD, MASSACHUSETTS	SIGNAL CABLE CONNECTOR				
					TITLE W021 - *C - W011				
				DRAWN M. Macie 12/2/65	FOR DM01				
					CHECKED <i>S.F. Cussell</i>	CODE	DRWG. NO.	REV.	
				ENG. <i>S.F. Cussell</i>	CL	A-DM01-0-9	B		
				PROD. <i>S.F. Cussell</i>	SHEET	6	OF	10	
					DIST.				

COLOR	NAME	PIN	LOCATION	LOCATION	REMARKS
		A			BLANK
**		B			BLANK
W/BLK	GND	C			
W/BRN	DATA ADD 9(1)	D	A8 (DM01)	PF 03 (PDP-8)	* LENGTH OF CABLE
W/RED	GND	X	↑	↑	PER SYSTEM
W/ORN	DATA ADD10(1)	E			CONFIGURATION
W/YEL	GND	F			
W/GRN	DATA ADD11(1)	H			
W/BLU	GND	J			
W/VIO	BK. REQ	K			
W/GRY	GND	L			** 9 CONDUCTOR
WHT	TRANS. DIR.	M			CO-AXIAL
W/BLK	GND	N			
W/BRN	BREAK(1)	P			
W/RED	GND	R			
W/ORN	ADD. ACC.	S			
W/YEL	GND	X			
W/GRN		T			
W/BLU	GND	U			
W/VIO		V	A8 (DM01)	PF 03 (PDP-8)	
W/GRY	GND	X			

REV. LTR.	ECO. NO.	DATE	ENG.	 digital EQUIPMENT CORPORATION MAYNARD, MASSACHUSETTS	SIGNAL CABLE CONNECTOR			
					TITLE W021 - *C - W011			
				DRAWN M. Macie 12/2/65	FOR DM01			
				CHECKED <i>J.F. Carroll</i>	CODE	DRWG. NO.	REV.	
				ENG. <i>J.F. Carroll</i>	CL	A-DM01-0-9	B	
				PROB. <i>J.F. Carroll</i>	SHEET	8 OF 10		
					DIST.			

COLOR	NAME	PIN	LOCATION	LOCATION	REMARKS
		A			BLANK
**		B			BLANK
W/BLK	GND	C			
W/BRN	DATA ADD0(1)	D	A7 (DM01)	PE 03 (PDP-8)	* LENGTH OF CABLE
W/RED	GND	X	↑	↑	PER SYSTEM
W/ORN	DATA ADD1(1)	E			CONFIGURATION
W/YEL	GND	F			
W/GRN	DATA ADD2(1)	H			
W/BLU	GND	J			
W/VIO	DATA ADD3(1)	K			** 9 CONDUCTOR
W/GRY	GND	L			CO-AXIAL CABLE
WHT	DATA ADD4(1)	M			
W/BLK	GND	N			
W/BRN	DATA ADD5(1)	P			
W/RED	GND	R			
W/ORN	DATA ADD6(1)	S			
W/YEL	GND	X			
W/GRN	DATA ADD7(1)	T			
W/BLU	GND	U			
W/VIO	DATA ADD8(1)	V	A7 (DM01)	PE 03 (PDP-8)	
W/GRY	GND	X			

REV. LTR.	ECO. NO.	DATE	ENG.	 digital EQUIPMENT CORPORATION MAYNARD, MASSACHUSETTS	SIGNAL CABLE CONNECTOR			
					TITLE W021 - *C - W011			
				DRAWN M. Macie 12/2/65	FOR DM01			
				CHECKED <i>J.F. Carroll</i>	CODE	DRWG. NO.	REV.	
				ENG. <i>J.F. Carroll</i>	CL	A-DM01-0-9	B	
				PROB. <i>J.F. Carroll</i>	SHEET	7 OF 10		
					DIST.			

DRWG NO

B-DMØI-0-10

REV LTR

J

REVISIONS			
REV LTR	DESCRIPTION	DATE	ENG
A	47	3-4-65	DC
B	86	8-11-65	DC
C	108	1-10-66	DC
D	115	1-23-66	DC
E	139	4-1-66	MA
F	DMØI 00001	8-22-68	MA
H	DMØI 00004	3/10/69	MA
J	DMØI 00007	4/22/71	MA

DRAWN	J. E. Carroll	DATE	12/8/65
CHECKED	J. E. Carroll	DATE	12/22/65
ENG	J. E. Carroll	DATE	12/8/65
PROJ ENG	E. de Castro	DATE	12/22/65
PROD	E. de Castro	DATE	12/22/65

digital
EQUIPMENT CORPORATION
MAYNARD, MASSACHUSETTS

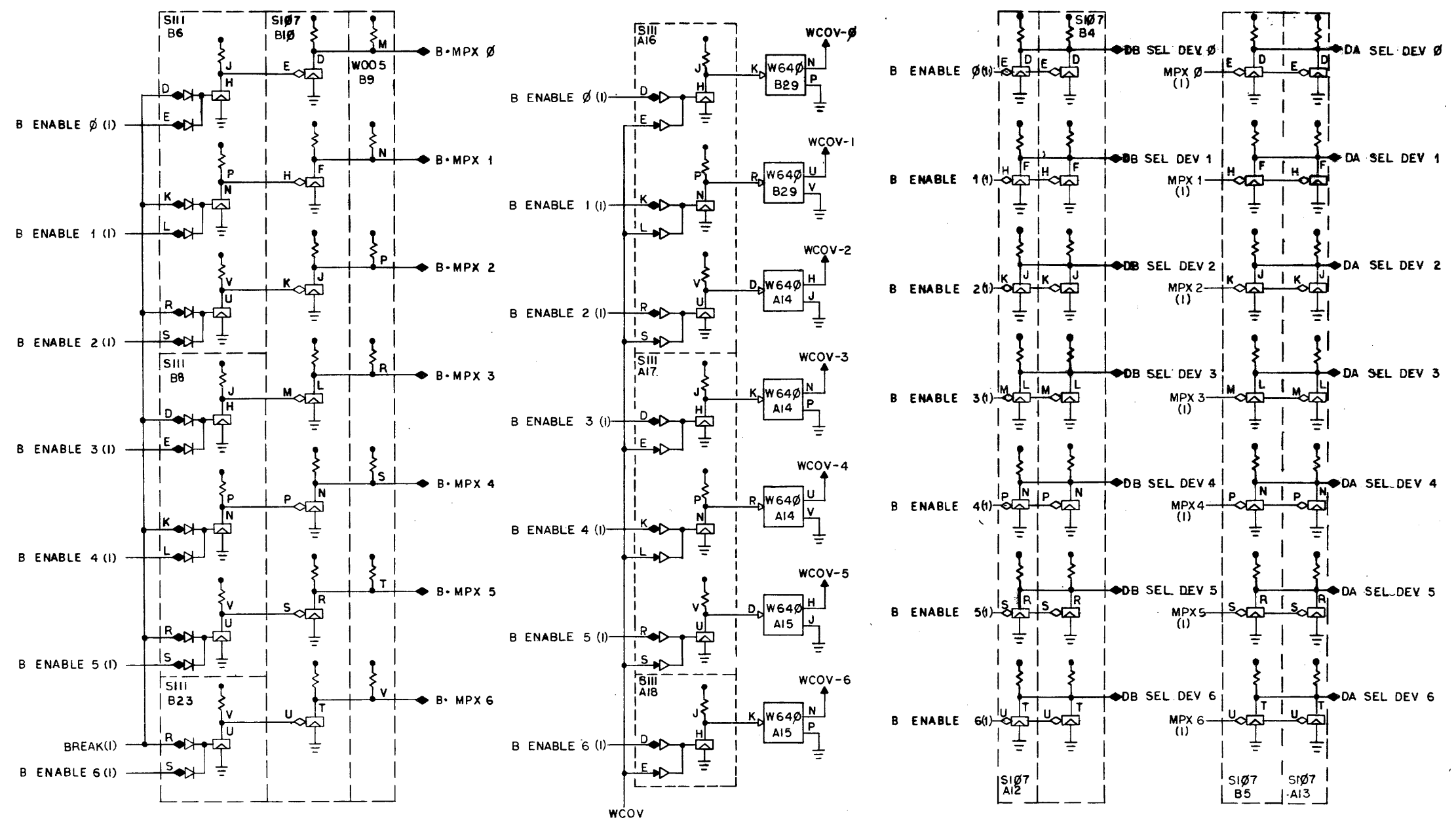
TITLE
DMØI WIRING

TAPE # DMØI FILE # 1

ASBY NO
CODE
WL
SHEET OF

DRWG NO
B-DMØI-0-10


REV LTR



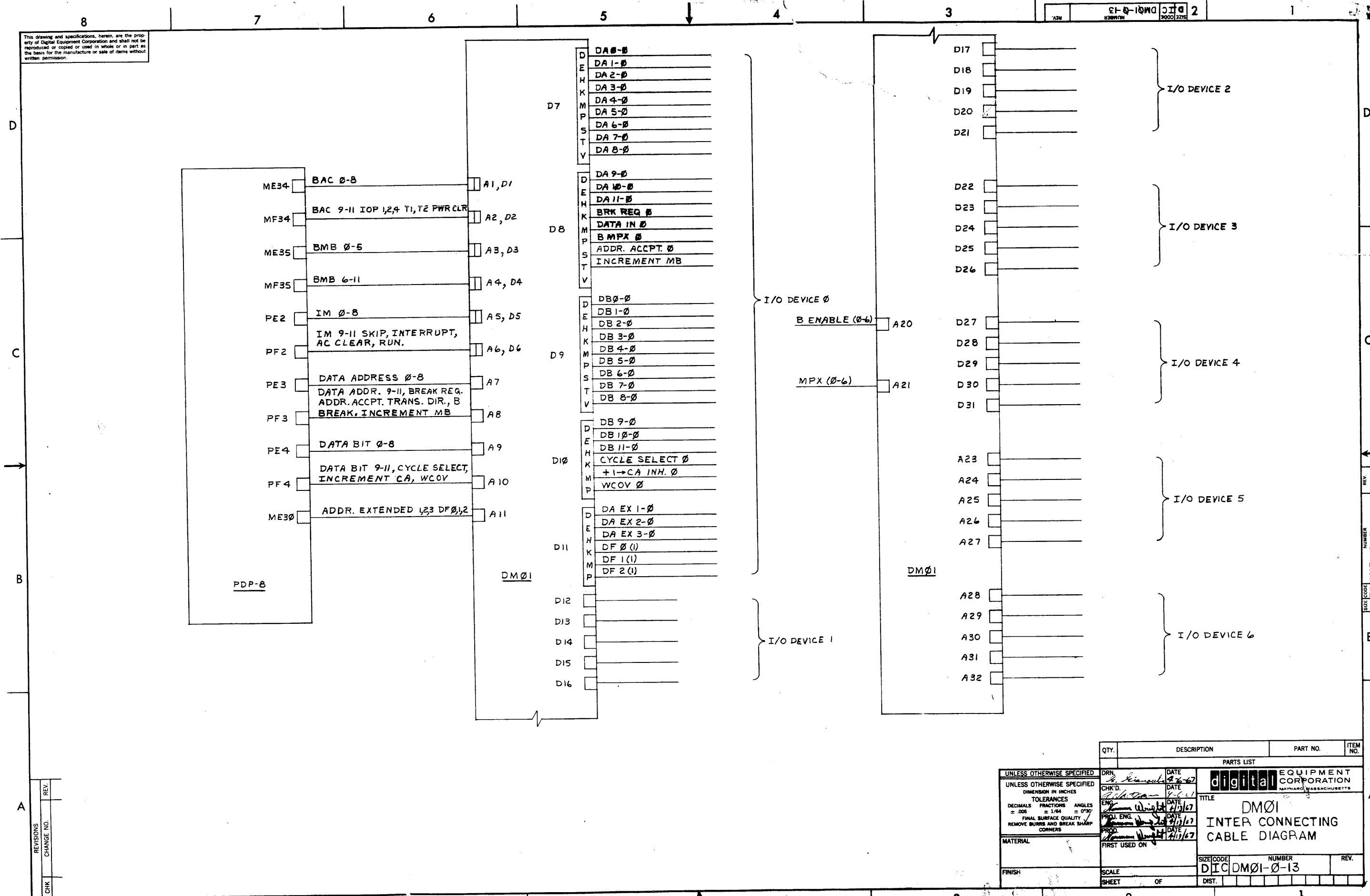
NOTE:
 DA SEL DEV (0-6) = DATA ADDRESS SELECTION I/O DEVICE (0-6)
 DB SEL DEV (0-6) = DATA BIT SELECTION I/O DEVICE (0-6)

REV. LTR.		DATE		DRAWN		DATE		TITLE	
A 58		9-14-65		BLUMPKIN		9-14-65		DATA MULTIPLEXER TYPE DMO1	
C 139				CHECKED		DATE		FOR	
				D. L. Conner		10/20/65			
				ENG		DATE		CODE	
				D. L. Conner		10/20/65		BS	
				PROJ. ENG		DATE		DRWG. NO.	
				F. J. Conner		12/22/65		D-DMO1-O-11	
				PRG		DATE		REV. LTR.	
				F. J. Conner		12/22/65		C	
SHEET				OF				DIST.	

COLOR	NAME	PIN	LOCATION	LOCATION	REMARKS
		A			BLANK
**		B			BLANK
W/BLK	GND	C			
W/BRN	DF 0(1)	D	All (DM01)	ME 30 (PDP-8)	* LENGTH OF CABLE
W/RED	GND	X	↑	↑	PER SYSTEM
W/ORN	DF 1(1)	E			CONFIGURATION
W/YEL	GND	F			
W/GRN	DF 2(1)	H			
W/BLU	GND	J			
W/VIO	ADD EXT 1	K			** 9 CONDUCTOR
W/GRY	GND	L			CO-AXIAL CABLE
WHT	ADD EXT 2	M			
W/BLK	GND	N			
W/BRN	ADD EXT 3	P			
W/RED	GND	R			
W/ORN		S			*** NOTE:
W/YEL	GND	X			
W/GRN		T			THIS CABLE
W/BLU	GND	U			ONLY REQUIRED IN
W/VIO		V	All (DM01)	ME 30 (PDP-8)	SYSTEMS WITH
W/GRY	GND	X			EXTRA MEMORY
					MODULES (184)

REV. LTR.	ECO. NO.	DATE	ENG.	 digital EQUIPMENT CORPORATION MAYNARD, MASSACHUSETTS	SIGNAL CABLE CONNECTOR		
					TITLE	W021 - *C - W011	
				DRAWN M. Martin 12/2/65	FOR DM01		
				CHECKED <i>S. E. Caswell</i>	CODE	DRWG. NO.	REV.
				ENG. <i>S. F. Caswell</i>	CL	D-DM01-0-12	
				PROB. <i>S. E. Caswell</i>	SHEET	1	OF 1
					DIST.		

This drawing and specifications, herein, are the property of Digital Equipment Corporation and shall not be reproduced or copied or used in whole or in part as the basis for the manufacture or sale of items without written permission.



REV.	CHANGE NO.	DATE

UNLESS OTHERWISE SPECIFIED
 DIMENSION IN INCHES
 TOLERANCES
 DECIMALS FRACTIONS ANGLES
 = .005 = 1/64 = 0°30'
 REMOVE BURNS AND BREAK SHARP CORNERS

QTY.	DESCRIPTION	PART NO.	ITEM NO.
PARTS LIST			
DRN	DATE	digital EQUIPMENT CORPORATION MAYNARD, MASSACHUSETTS	
CHK'D	DATE	TITLE	
ENG.	DATE	DMØ1 INTER CONNECTING CABLE DIAGRAM	
PROJ. ENG.	DATE	SIZE CODE NUMBER	
PROD.	DATE	D I C DMØ1-Ø-13	
FIRST USED ON	DATE	REV.	
FINISH	SCALE	SHEET OF	

