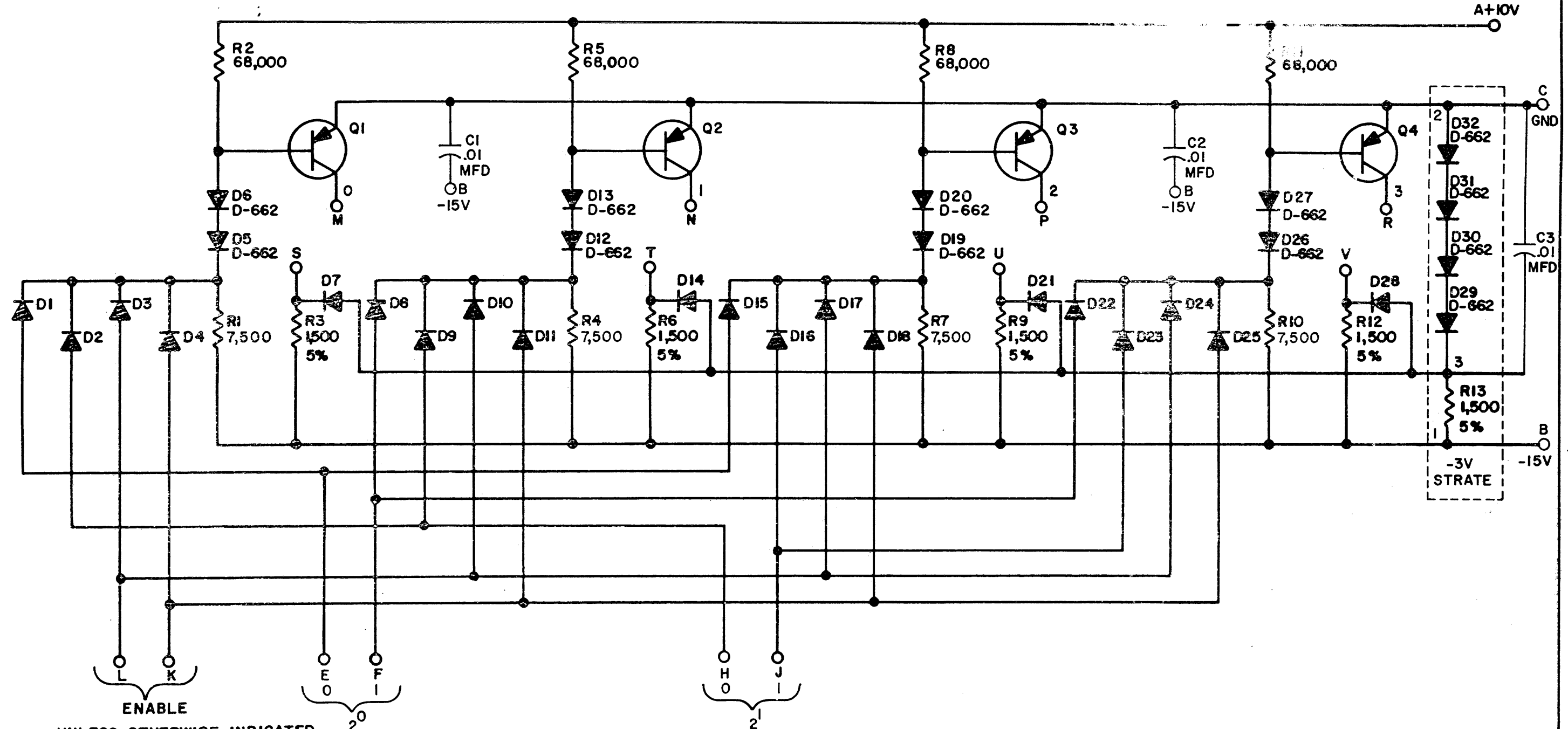


THIS SCHEMATIC IS FURNISHED ONLY FOR TEST AND MAINTENANCE PURPOSES. THE CIRCUITS ARE PROPRIETARY IN NATURE AND SHOULD BE TREATED ACCORDINGLY. COPYRIGHT 1966 BY DIGITAL EQUIPMENT CORPORATION



UNLESS OTHERWISE INDICATED
RESISTORS ARE 1/4W; 10%
DIODES ARE D-664
TRANSISTORS ARE 2N4258

< 1 2 3 4 5 6 7 8 9 10 11 12 13 14 15 16 17 18 19 20 21 22 23 24 25 26 27 28 29 30 >

REVISIONS	CHK	CHG NO.	REV.
		5914	A

DRN.	DATE
<i>R. Schwerman</i>	10-3-66
CHK'D	DATE
<i>R. Schwerman</i>	10/3/66
ENG.	DATE
<i>Allen Kent</i>	400/66
PROD.	DATE

TRANSISTOR & DIODE CONVERSION CHART			
DEC		EIA	
2N4258		2N4258	
D662		1N645	
D664		1N3606	

digital
EQUIPMENT CORPORATION
MAYNARD, MASSACHUSETTS

TITLE HALF BINARY TO OCTAL DECODER B156			
SIZE B	CODE CS	NUMBER B156-0-1	REV. A
PRINTED CIRCUIT REV. A			