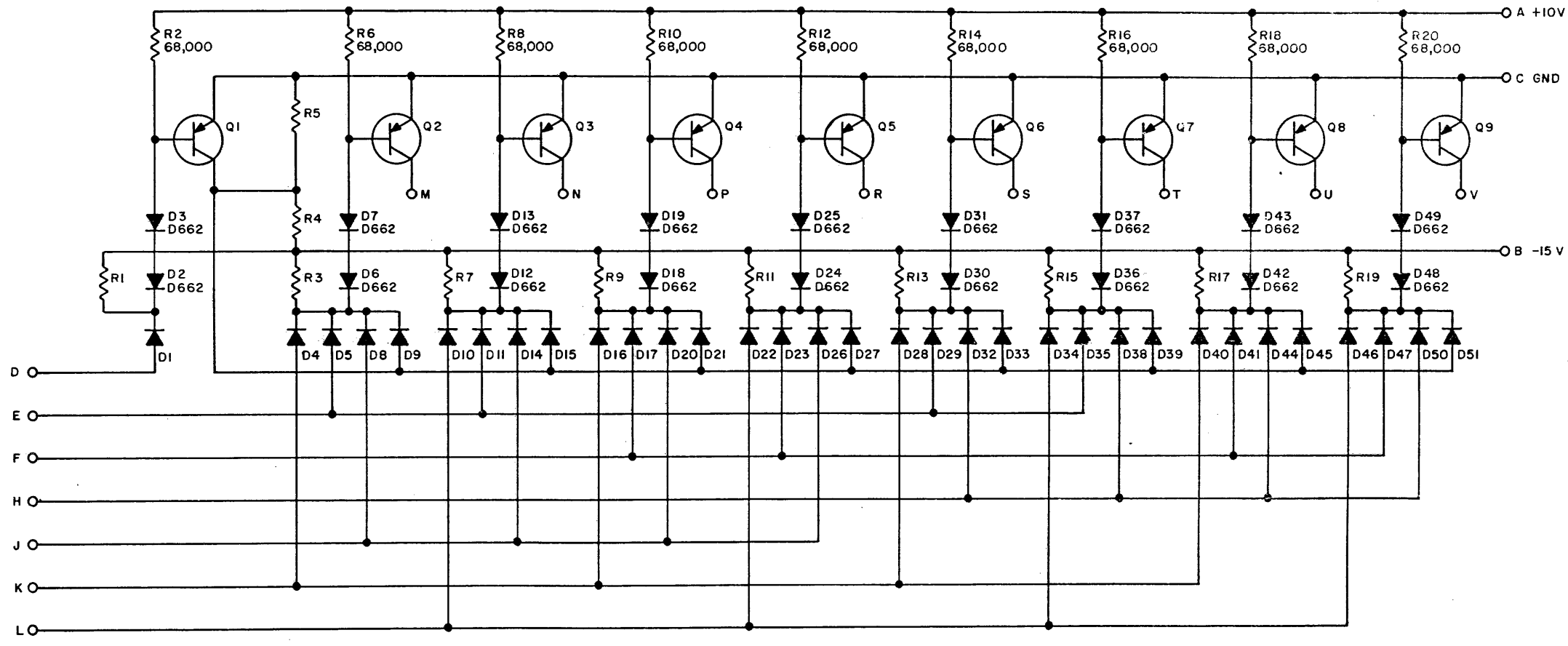


THIS SCHEMATIC IS FURNISHED ONLY FOR TEST AND MAINTENANCE PURPOSES. THE CIRCUITS ARE PROPRIETARY IN NATURE AND SHOULD BE TREATED ACCORDINGLY. COPYRIGHT 1967 BY DIGITAL EQUIPMENT CORPORATION



UNLESS OTHERWISE INDICATED:
 RESISTORS ARE 7,500
 RESISTORS ARE 1/4 W, 5%
 DIODES ARE D664
 TRANSISTORS ARE 2N4258

REV. NUMBER
 C CS B152-0-1

REVISIONS CHK CHG NO. REV.	DRN. <i>M. Miller</i>	DATE <i>5-17-67</i>	TRANSISTOR & DIODE CONVERSION CHART				digital EQUIPMENT CORPORATION MAYNARD, MASSACHUSETTS	TITLE BINARY TO OCTAL DECODER B152		REV.	
	CHK'D. <i>S. Schuman</i>	DATE <i>5/17/67</i>	DEC	EIA	DEC	EIA		SIZE C	CODE CS	NUMBER B152-0-1	
	ENG. <i>A. Kotok</i>	DATE <i>5-23-67</i>	2N4258	SAME							
	PROD.	DATE	D662	IN845							
			D664	IN3606							
DEC FORM NO.							PRINTED CIRCUIT REV.		A		