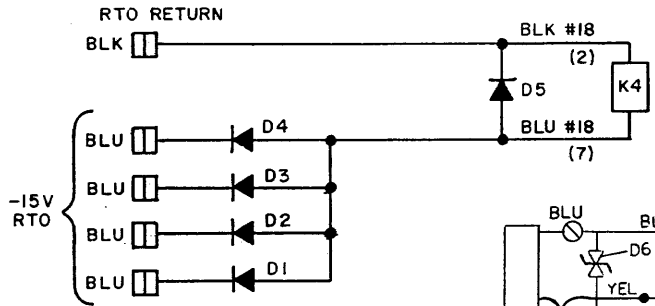
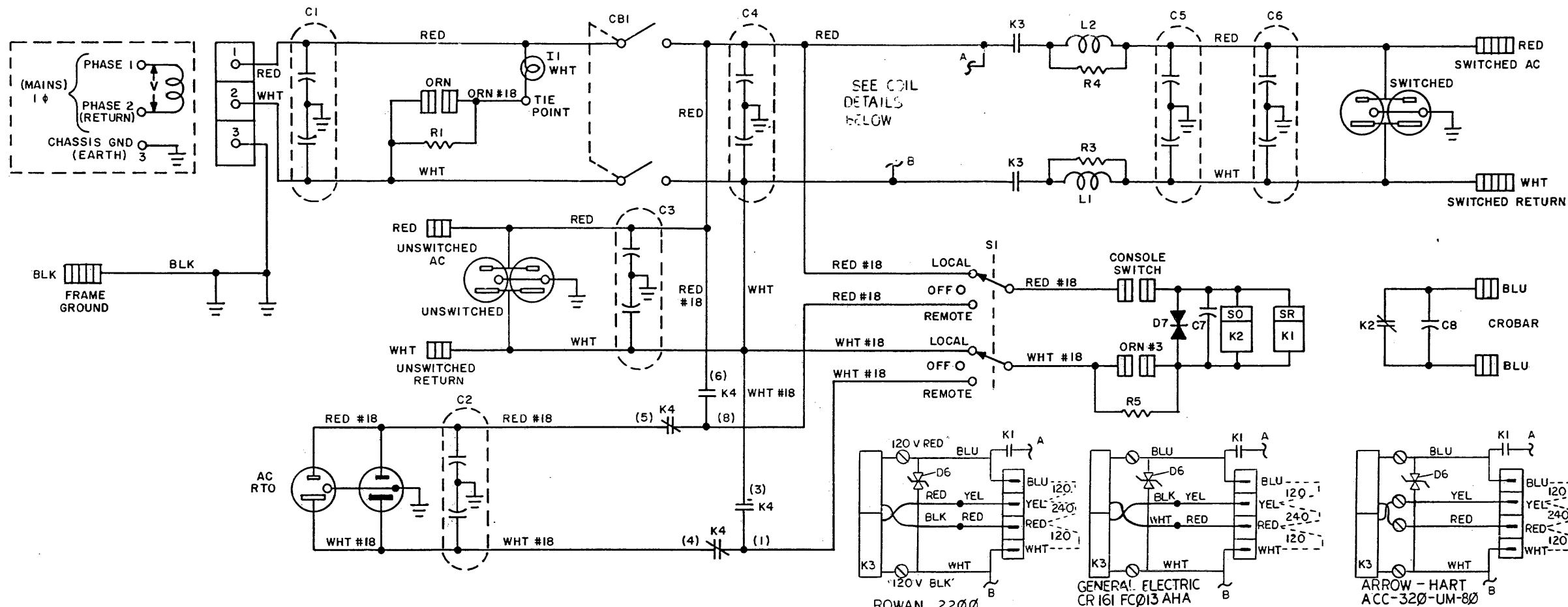
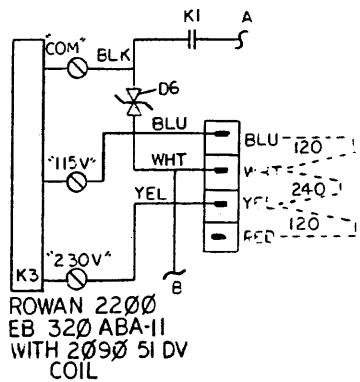
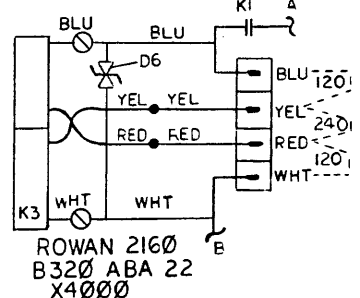


THIS SCHEMATIC IS FURNISHED ONLY FOR TEST AND MAINTENANCE PURPOSES. THE CIRCUITS ARE PROPRIETARY IN NATURE AND SHOULD BE TREATED ACCORDINGLY. COPYRIGHT 1967 BY DIGITAL EQUIPMENT CORPORATION



NOTES:  
 WIRE NOT MARKED IS #14 GAUGE  
 WIRE IS TEFLON STRANDED  
 K1 IS 4 SEC QOSR 115VAC  
 K2 IS 4 SEC SOQR 115VAC  
 (2) INDICATES PIN NUMBER ON K4 SOCKET



SOME UNITS WERE BUILT AS SHOWN ABOVE.

COIL DETAILS

REFERENCE DESIGNATION	DESCRIPTION	PART NO.
DE	THYRECTOR GE6RS20SP4B4	1102915
I1	LAMP #1020A4 OMNIGLOW	1205303
C7, C8	CAP. .01MFD 600V 10% MYLAR	1002938
R3, R4	RES. 10 2W 10% CC	1300172
R2, R5	RES. 1K 40W	1309027
R1	RES. 130K 1W 5% CC	1305604
L1, L2	FERROXCUBE #56-261-30-3B	1605147
K4	RELAY KRPII D6 12VDC	1203410
K3	RELAY EM-4 115VAC 35AMPS	1205768
K2	RELAY ADLAKE #1040-34-43	1205809
K1	RELAY ADLAKE #1040-8-77	1202184-1
D6, D7	THYRECTOR GE6RS20SP4B4	1100106
D1-D5	DIODE IN4001	1102942
CBI	CKT. BKR. #190-230-104 30A 250V	1201219
C1-C6	CAP. 2 X .1MFD BATHTUB #CAF0001	1002153
	PARTS LIST	A-PL-844-0-0

REV.	CHG. NO.	REV.	BY
1	6628	B	
2	6722	C	
3	6999	D	
4	844-3	E	
5	10-0004	F	
6	844-6	H	

DRN.	DATE	TRANSISTOR & DIODE CONVERSION CHART			
M. HALLER	7-20-67	DEC	EIA	DEC	EIA
CHK'D	DATE	IN4001	SAME		
R. SILVERMAN	8-24-68				
ENG.	DATE				
R. WYMAN	8-24-68				
PROD.	DATE				

**digital** EQUIPMENT CORPORATION  
 MAYNARD, MASSACHUSETTS

TITLE: POWER CONTROL 844

SIZE: C CODE: CS NUMBER: 844-0-1 REV: H

PRINTED CIRCUIT REV.