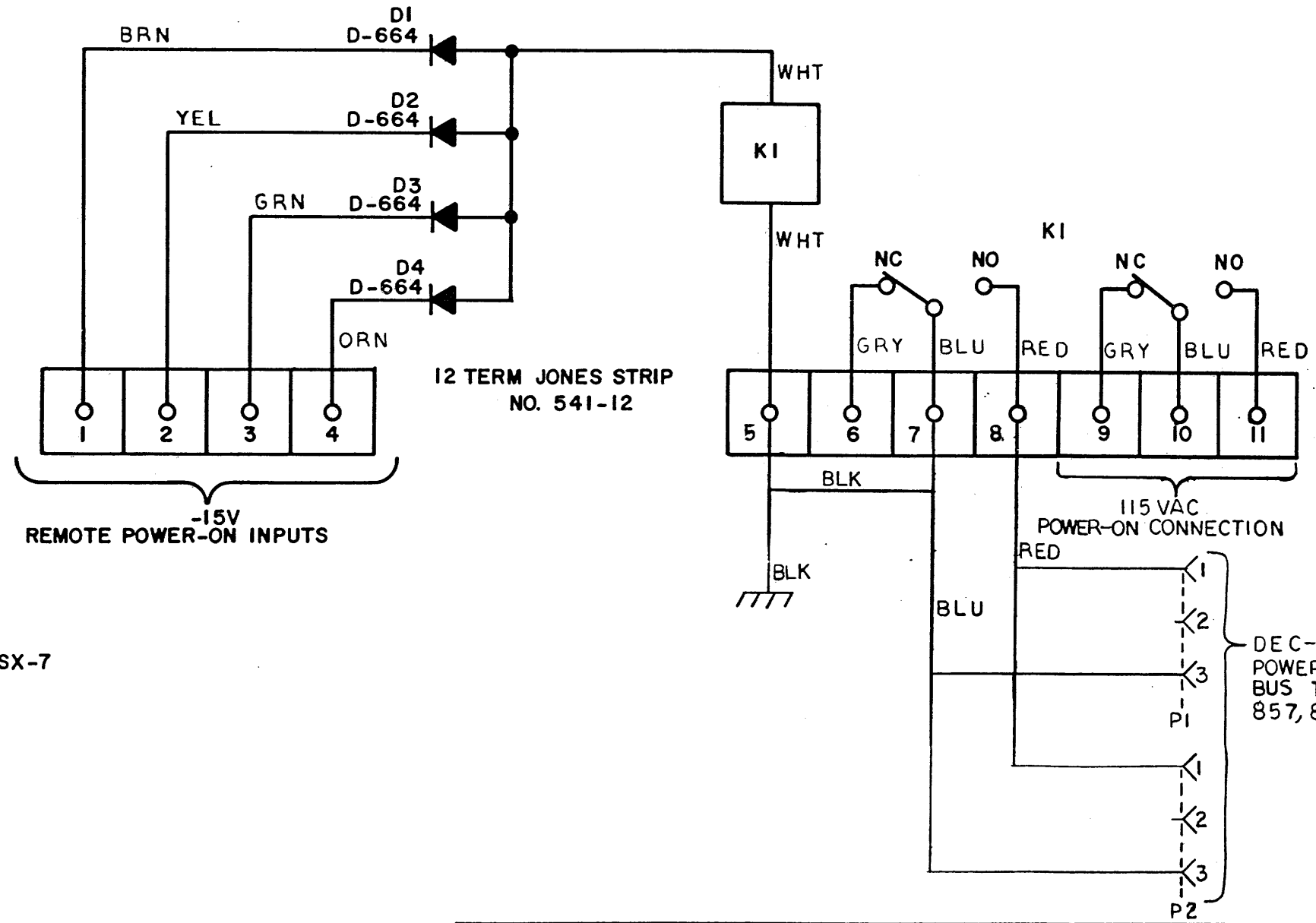


THIS SCHEMATIC IS FURNISHED ONLY FOR TEST AND MAINTENANCE PURPOSES. THE CIRCUITS ARE PROPRIETARY IN NATURE AND SHOULD BE TREATED ACCORDINGLY. COPYRIGHT 1964 BY DIGITAL EQUIPMENT CORPORATION 1373



NOTES:  
 KI MAGNICRAFT RELAY; CAT. NO. 66CSX-7 WITH DUST COVER.

REVISIONS	CHK	CHG NO.	REV.
	DAW	4375	1
	REV	8 REDR.	
	PA8	5448	2
	REV	836-1	C

DRN. H PORTER	DATE 10-7-64
CHK'D N PERRYMAN	DATE 10-15-64
ENG. L WHITE	DATE 10-15-64
PROD.	DATE

TRANSISTOR & DIODE CONVERSION CHART			
DEC		EIA	
D664		IN3606	

**digital**  
 EQUIPMENT CORPORATION  
 MAYNARD, MASSACHUSETTS

TITLE DC REMOTE POWER CONTROL 836			
SIZE B	CODE CS	NUMBER 836-0-2	REV. C
PRINTED CIRCUIT REV.			