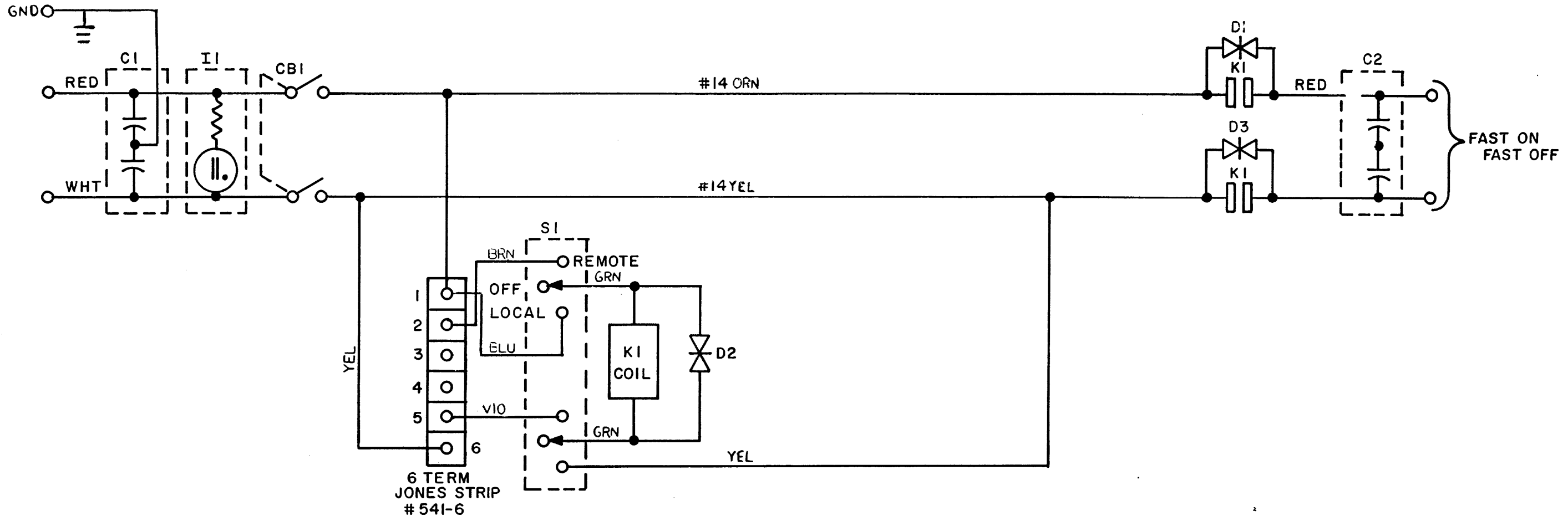


THIS SCHEMATIC IS FURNISHED ONLY FOR TEST AND MAINTENANCE PURPOSES. THE CIRCUITS ARE PROPRIETARY IN NATURE AND SHOULD BE TREATED ACCORDINGLY. COPYRIGHT 1964 BY DIGITAL EQUIPMENT CORPORATION



SI	SWITCH, TOGGLE 7503K6	125964
CBI	CKT. BKR. #190-220-101 20AMPS.	1201218
I1	LIGHT OMNI GLOW #1020B1	1202556
K1	RELAY EM-4 230VAC ELBERT EL.	12-09279
D1-D3-D2	THYRECTOR G.E. 6RS20SP9B9 230V	1102915
C1, C2	CAP. 2 X .1MFD 600VDC #CAF-0001	1002153
PARTS LIST		A-PL-834B-0-0
REFERENCE DESIGNATION	DESCRIPTION	PART NO.
PARTS LIST		

REVISIONS	CHK	CHG NO.	REV.	DATE
	DAW	4632	3	
	REV. B	6880	D	
	REV. C	00001	E	
	REV. D	00002	F	

DRN.	A. OUELLETTE	DATE	8-3-64
CHK'D	N. PERRYMAN	DATE	8-27-64
ENG.	R. P. FORTH	DATE	8-26-64
PROD.		DATE	

TRANSISTOR & DIODE CONVERSION CHART			
DEC	EIA	DEC	EIA

digital
EQUIPMENT CORPORATION
MAYNARD, MASSACHUSETTS

TITLE				ONE STEP POWER CONTROL PANEL 834B			
SIZE	CODE	NUMBER		REV.			
B	CS	834B-0-1		F			
PRINTED CIRCUIT REV.							