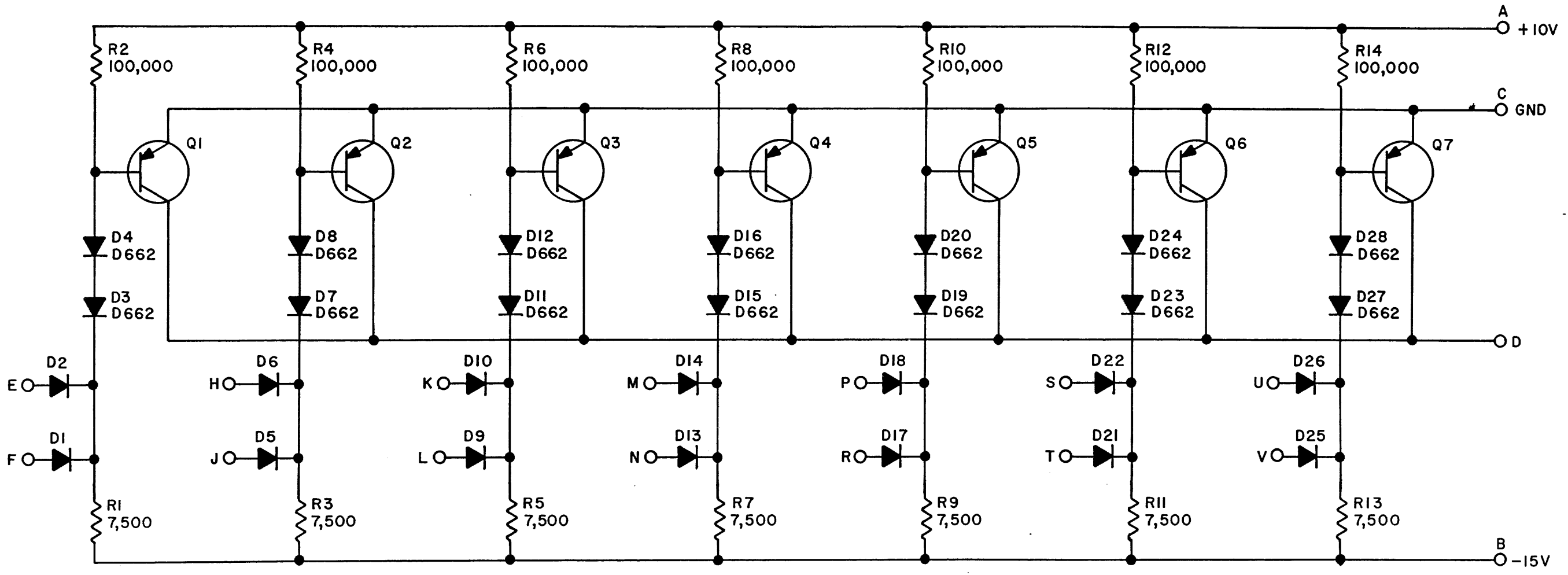


THIS SCHEMATIC IS FURNISHED ONLY FOR TEST AND MAINTENANCE PURPOSES. THE CIRCUITS ARE PROPRIETARY IN NATURE AND SHOULD BE TREATED ACCORDINGLY. COPYRIGHT 1966 BY DIGITAL EQUIPMENT CORPORATION



UNLESS OTHERWISE INDICATED:  
 RESISTORS ARE 1/4W; 5%  
 DIODES ARE D664  
 TRANSISTORS ARE 2N4258



REVISIONS	CHK	CHG NO.	REV.	A	DRN <i>M. [Signature]</i>	DATE	TRANSISTOR & DIODE CONVERSION CHART				TITLE DIODE GATE B141	
	6697					6-17-66	DEC	EIA	DEC	EIA		SIZE
					CHK'D <i>R. [Signature]</i>	DATE	2N4258	SAME				
					ENG. <i>[Signature]</i>	DATE	D662	IN645				
					PROD.	DATE	D664	IN3606				
									EQUIPMENT CORPORATION MAYNARD, MASSACHUSETTS			
									PRINTED CIRCUIT REV. A			