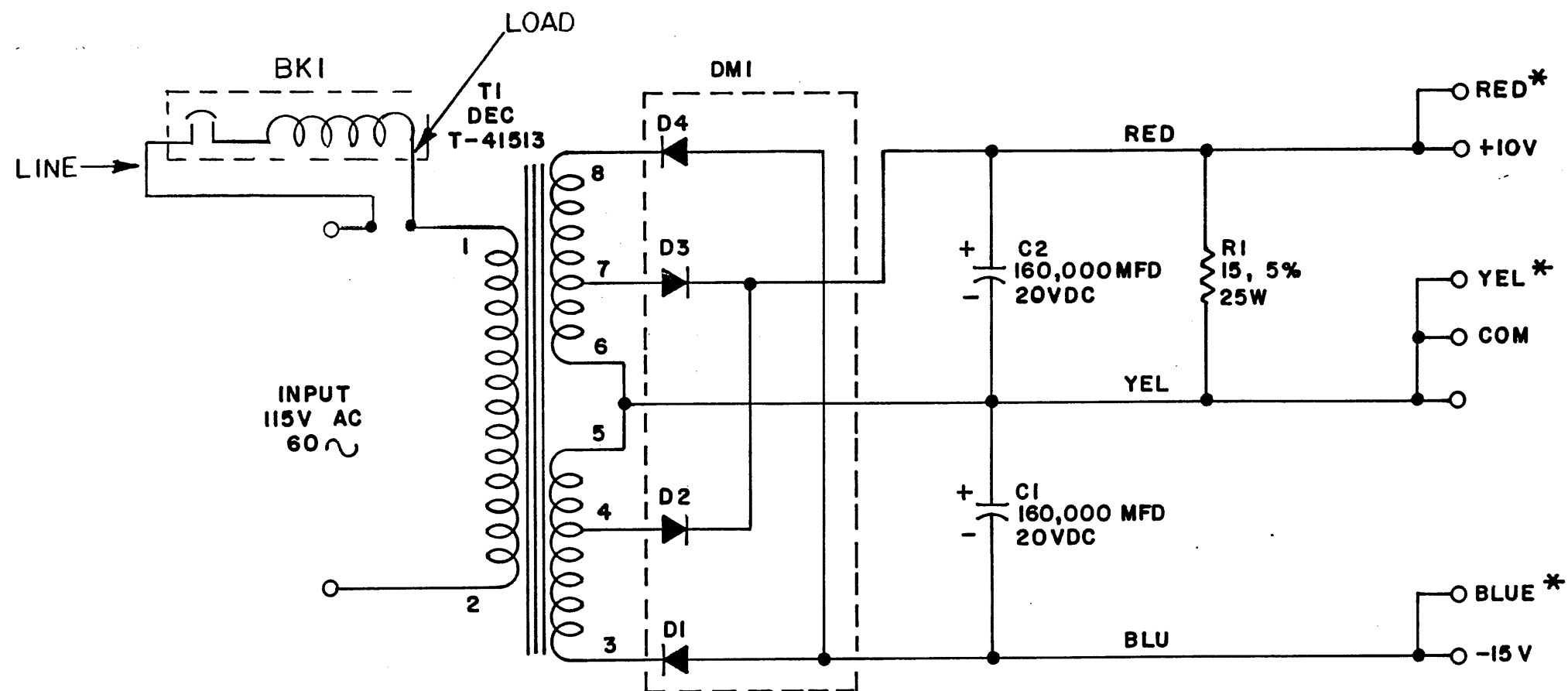


THIS SCHEMATIC IS FURNISHED ONLY FOR TEST AND MAINTENANCE PURPOSES. THE CIRCUITS ARE PROPRIETARY IN NATURE AND SHOULD BE TREATED ACCORDINGLY. COPYRIGHT 1963 BY DIGITAL EQUIPMENT CORPORATION

REV. D NUMBER 783-0-1 SIZE CODE



NOTE:  
 IN ORDER TO KEEP OUTPUT VOLTAGE WITHIN THE FOLLOWING LIMITS:  
 +10V: +9.5 TO +11V  
 -15V: -14.5 TO -16V  
 THE LOADING SHOULD BE WITHIN THE FOLLOWING LIMITS:

BOTH SIDES LOADED	+10V 0 TO 7.0 AMPS
	-15V 1.0 TO 8.0 AMPS
ONE SIDE LOADED	+10V 0 TO 7.5 AMPS
	-15V 1.0 TO 8.5 AMPS

SUM OF THE OUTPUT CURRENTS ARE LIMITED BY THE EQUATION:  $5I_{10} + 6I_{15} \leq 53$

\* HEYMAN MFG. CO. TAB TERMINALS

REVISIONS	CHK	CHG NO.	REV.
	DAW	4740	2
	REV & REDR.	6033	C
	REV	00003	D

DRN. H.W.PORTER	DATE 11-20-63
CHK'D A.VARTANIAN	DATE 11-27-63
ENG. R.DOANE	DATE 11-27-63
PROD.	DATE

TRANSISTOR & DIODE CONVERSION CHART			
DEC	EIA	DEC	EIA

**digital**  
 EQUIPMENT CORPORATION  
 MAYNARD, MASSACHUSETTS

TITLE POWER SUPPLY 783			
SIZE B	CODE CS	NUMBER 783-0-1	REV. D
PRINTED CIRCUIT REV.			