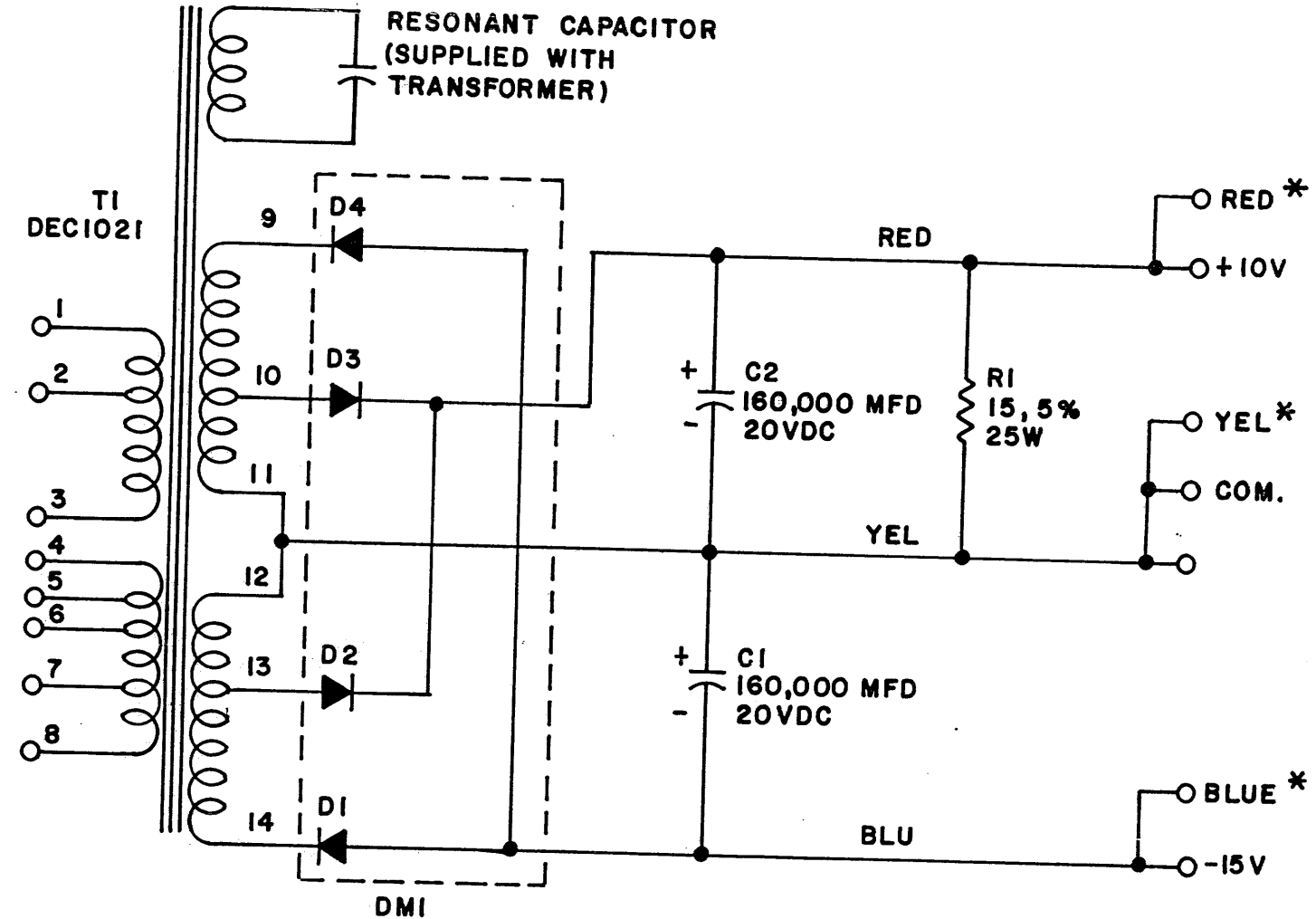


THIS SCHEMATIC IS FURNISHED ONLY FOR TEST AND MAINTENANCE PURPOSES. THE CIRCUITS ARE PROPRIETARY IN NATURE AND SHOULD BE TREATED ACCORDINGLY. COPYRIGHT 1965 BY DIGITAL EQUIPMENT CORPORATION

REV. B
 NUMBER 783A-0-1
 SIZE CODE CS



NOTE:

INPUT VOLTAGE	JUMPER	LINE
112.5	10%	2-4,3-7 3,4
123.5	10%	1-4,3-8 3,4
195	10%	1-5 3,4
220	10%	1-6 3,4
235	10%	2-8 3,4

IN ORDER TO KEEP OUTPUT VOLTAGE WITHIN THE FOLLOWING LIMITS:

+ 10V: +9.5 TO +11V

- 15V: -14.5 TO -16V

THE LOADING SHOULD BE WITHIN THE FOLLOWING LIMITS

BOTH SIDES LOADED	+10V 0 TO 7.0 AMPS
	-15V 1.0 TO 8.0 AMPS
ONE SIDE LOADED	+10V 0 TO 7.5 AMPS
	-15V 1.0 TO 8.5 AMPS

SUM OF THE OUTPUT CURRENTS ARE LIMITED BY THE EQUATION: $5I_{10} + 6I_{15} \leq 53$

* HEYMAN MFG. CO. TAB TERMINALS

REVISIONS CHK CHG NO. REV. 4739 1 REV. REDR. 6034 B	DRN. I. HAHN	DATE 4-2-65	TRANSISTOR & DIODE CONVERSION CHART		digital EQUIPMENT CORPORATION MAYNARD, MASSACHUSETTS	TITLE POWER SUPPLY 783A		
	CHK'D R. SILVERMAN	DATE 5-17-65	DEC	EIA		SIZE B	CODE CS	NUMBER 783A-0-1
	ENG. R. DOANE	DATE 5-17-65						
	PROD.	DATE						
DEC FORM NO. DRB 102				PRINTED CIRCUIT REV.				