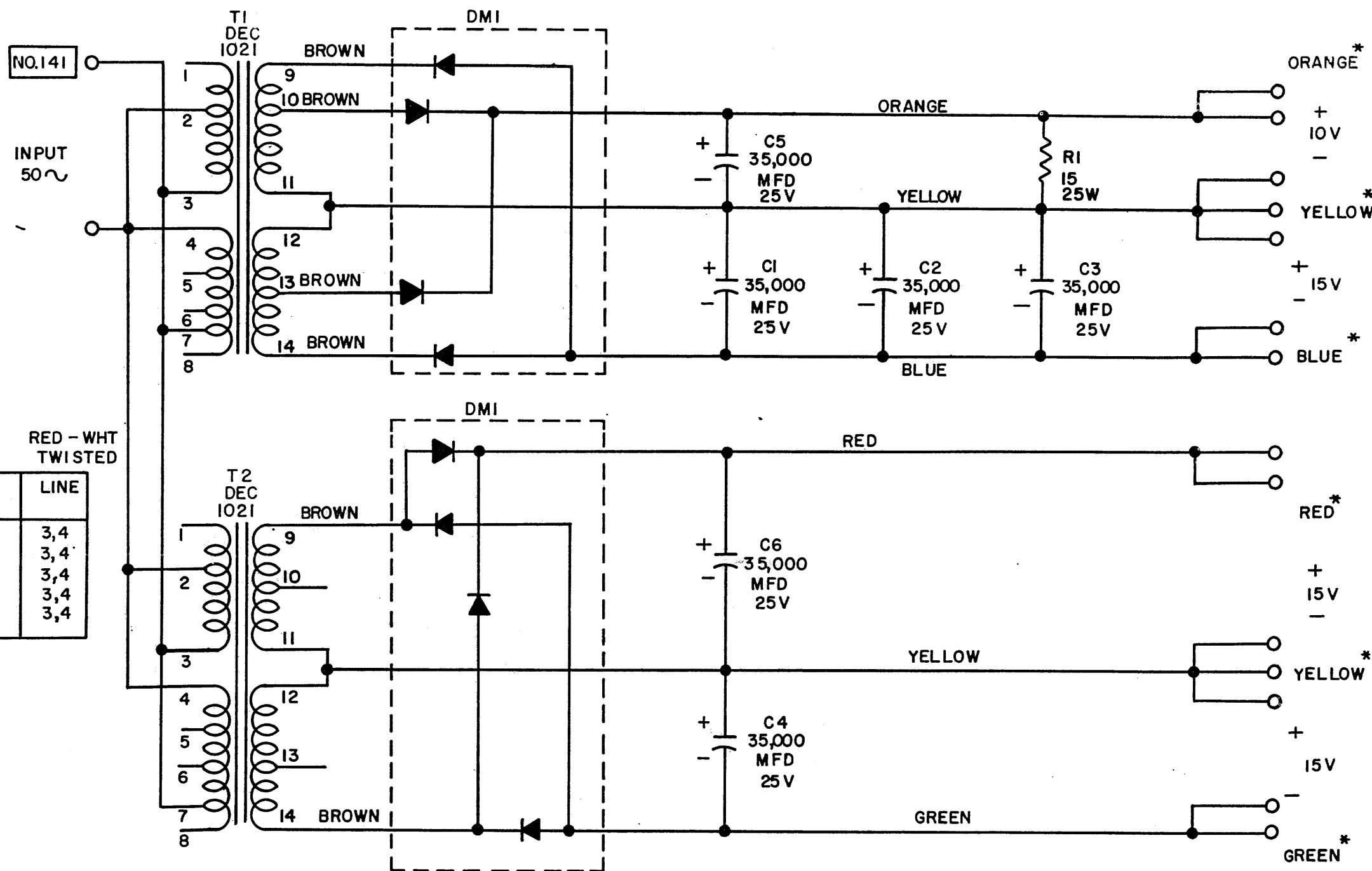


CS-779A-3



NOTE:

INPUT VOLTAGE	JUMPER	LINE
112.5V 10%	2-4,3-7	3,4
123.5V 10%	1-4,3-8	3,4
195V 10%	1-5	3,4
220V 10%	1-6	3,4
235V 10%	2-8	3,4

RED - WHT TWISTED

UNLESS OTHERWISE INDICATED:

* HEYMAN MFG CO TAB -
TERMINAL IN PLASTIC BUSHING

□ CINCH JONES TERMINAL STRIP

CHANGE	EXPER.	DRAWN N. KOBLER 9-25-63	digital EQUIPMENT CORPORATION MAYNARD, MASSACHUSETTS	CS-779A-3
	PRODUCTION	CHECKED 9-25-63 <i>A. Vartanov</i>		
	OTHER	ENGINEER <i>D. White</i> 9/30/63		
CH. NO.	APP.	POWER SUPPLY 779A		
4019-1	<i>D. White</i>			
4924-2	<i>R. S. 9/5</i>			
5097-3	<i>D. White</i>			