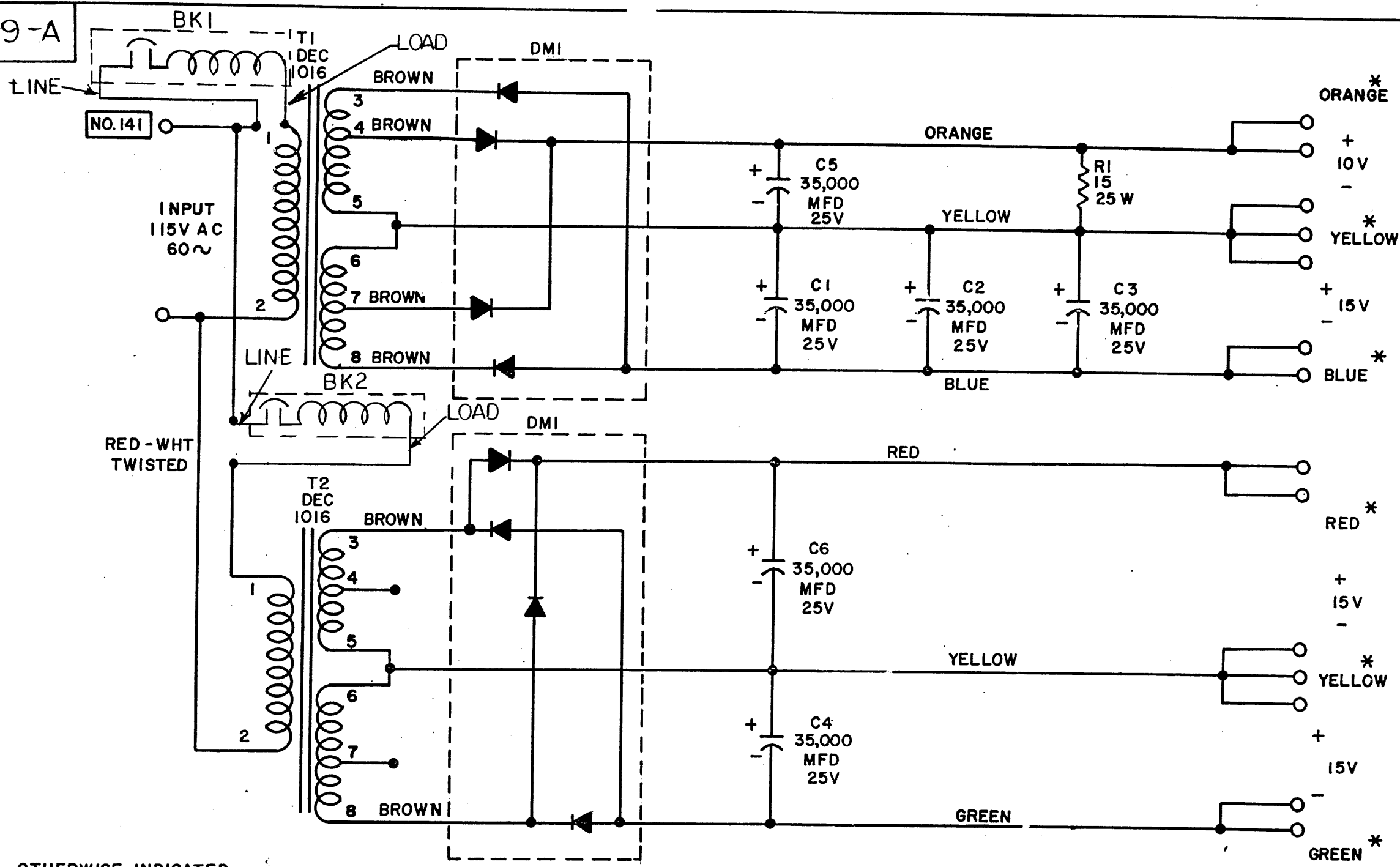


B-CS-779-A



UNLESS OTHERWISE INDICATED  
 \* HEYMAN MFG CO TAB -  
 TERMINAL IN PLASTIC BUSHING  
 [ ] CINCH JONES TERMINAL STRIP.

00001	5098-5	4925-4	4018-3	3492-2	3246-1	CH NO.	EXPER.	DRAWN
						APP.	PRODUCTION	J.S. CARO 2-13-63
							OTHER	CHECKED <i>[Signature]</i>
								ENGINEER <i>[Signature]</i>

**digital** EQUIPMENT CORPORATION  
 MAYNARD, MASSACHUSETTS

B-CS-779-A

POWER SUPPLY 779