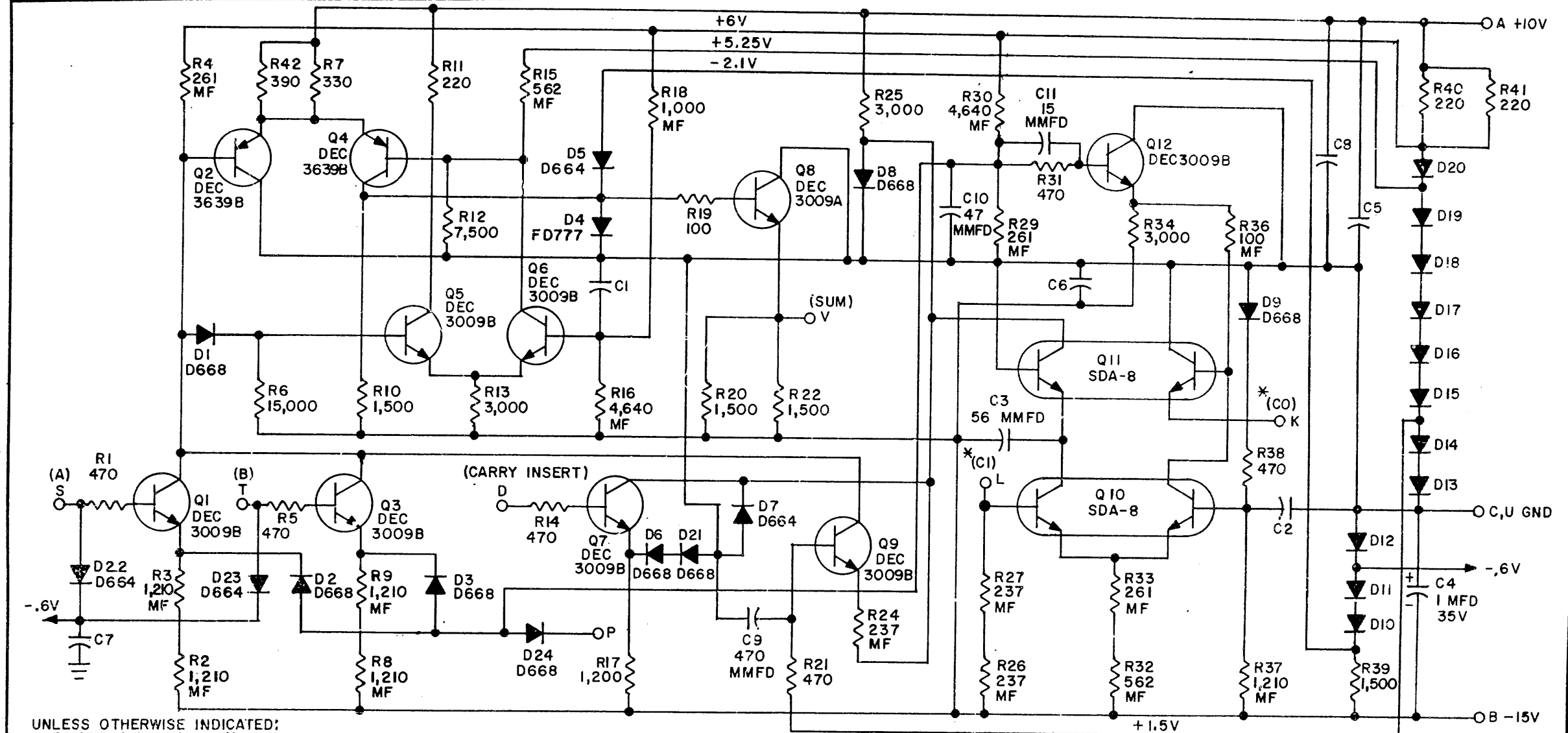


REV. D
 NUMBER B138-0-1
 SIZE CODE B CS
 NUMBER 1-0-8218

THIS SCHEMATIC IS FURNISHED ONLY FOR TEST AND MAINTENANCE PURPOSES. THE CIRCUITS ARE PROPRIETARY IN NATURE AND SHOULD BE TREATED ACCORDINGLY. COPYRIGHT 1967 BY DIGITAL EQUIPMENT CORPORATION



UNLESS OTHERWISE INDICATED:
 RESISTORS ARE 1/4W, 5%
 MF RESISTORS ARE METAL FILM 1/8W 1% 100PPM
 (WARD LEONARD TYPE)
 CAPACITORS ARE .01 MFD
 DIODES ARE D662
 D668 2(TWO) 1N3606 IN SERIES

*CO IS CONNECTED TO C1 ON THE NEXT MODULE BY A 100Ω 1/8W, 1% MF RESISTOR FROM PIN K TO PIN L

PARTS LIST IS A-PL-B138-0-0

REV.	CHG NO.	REV.
B	6776	B
C	6878	C
D	00001	D

DRN. <i>M. Hallen</i>	DATE 10-10-67
CHK'D <i>P. Sullivan</i>	DATE 10/13/67
ENG. <i>P. Sullivan</i>	DATE 10/17/67
PROD. I	DATE

TRANSISTOR & DIODE CONVERSION CHART			
DEC	EIA	DEC	EIA
DEC3009B	2N3009	D668	SEE NOTE
DEC3639B	2N3639	FD777	SAME
SDA-8	NONE		
D662	1N645		
D664	1N3606		

digital
EQUIPMENT CORPORATION
 MAYNARD, MASSACHUSETTS

TITLE ADDER B138			
SIZE B	CODE CS	NUMBER B138-0-1	REV. D
PRINTED CIRCUIT REV. B			

DEC FORM NO. DRB 102

6, PINK

DIST: 324 435 435 439