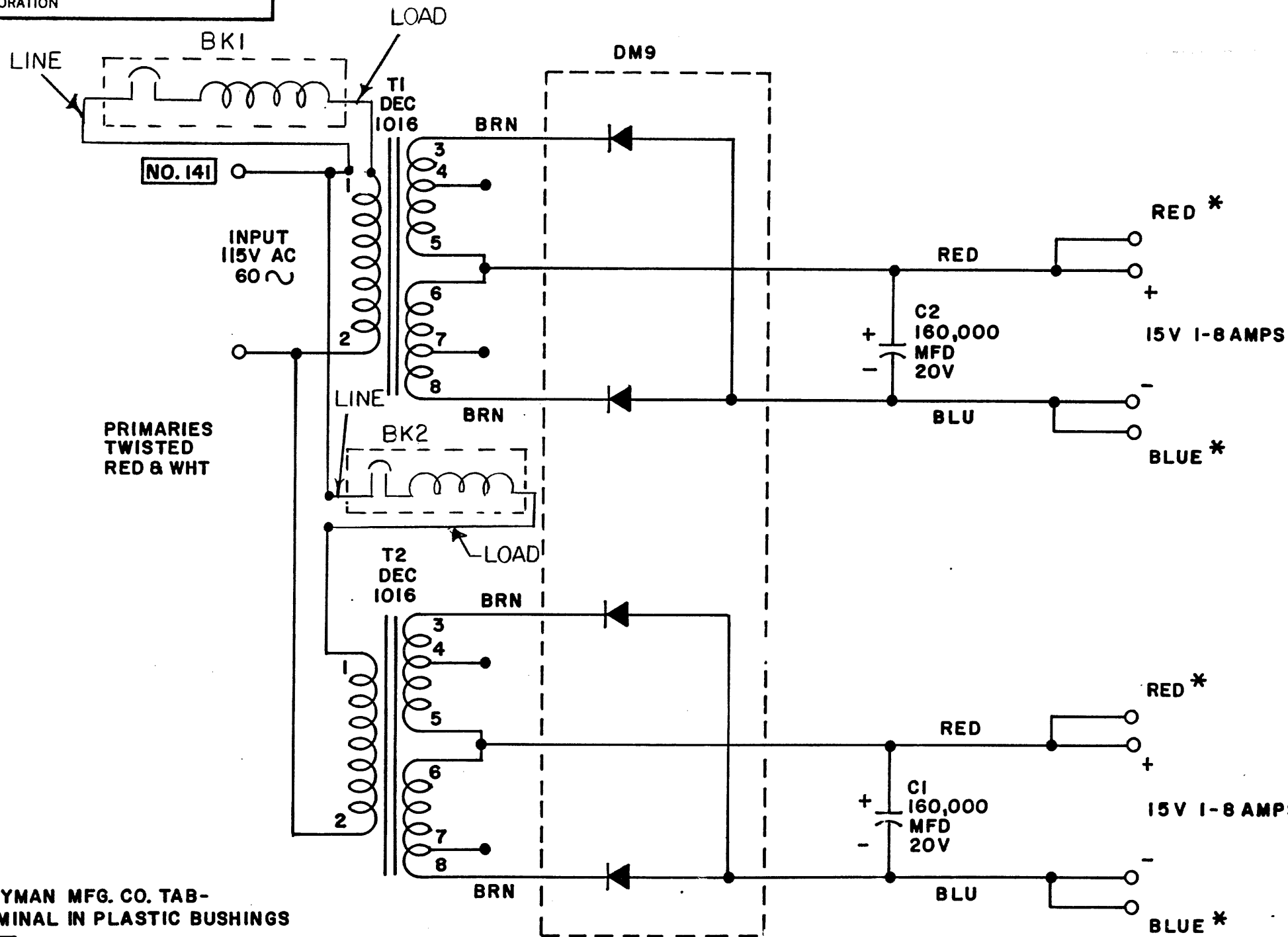


THIS SCHEMATIC IS FURNISHED ONLY FOR TEST AND MAINTENANCE PURPOSES. THE CIRCUITS ARE PROPRIETARY IN NATURE AND SHOULD BE TREATED ACCORDINGLY. COPYRIGHT 1963 BY DIGITAL EQUIPMENT CORPORATION



* HEYMAN MFG. CO. TAB-
TERMINAL IN PLASTIC BUSHINGS
CINCH JONES TERMINAL STRIP

REVISIONS	CHK	CHG NO.	REV.
	DAW	5099	4
	REV	6047	E
		0000	F

DRN. A. KUBLIN	DATE 9-11-62
CHK'D N. RHEAULT	DATE 9-13-62
ENG. R. L. BEST	DATE 9-14-62
PROD.	DATE

TRANSISTOR & DIODE CONVERSION CHART			
DEC	EIA	DEC	EIA

digital
EQUIPMENT CORPORATION
MAYNARD, MASSACHUSETTS

TITLE			
DUAL 15 VOLT POWER SUPPLY 778			
SIZE B	CODE CS	NUMBER 778-0-1	REV. F
PRINTED CIRCUIT REV.			