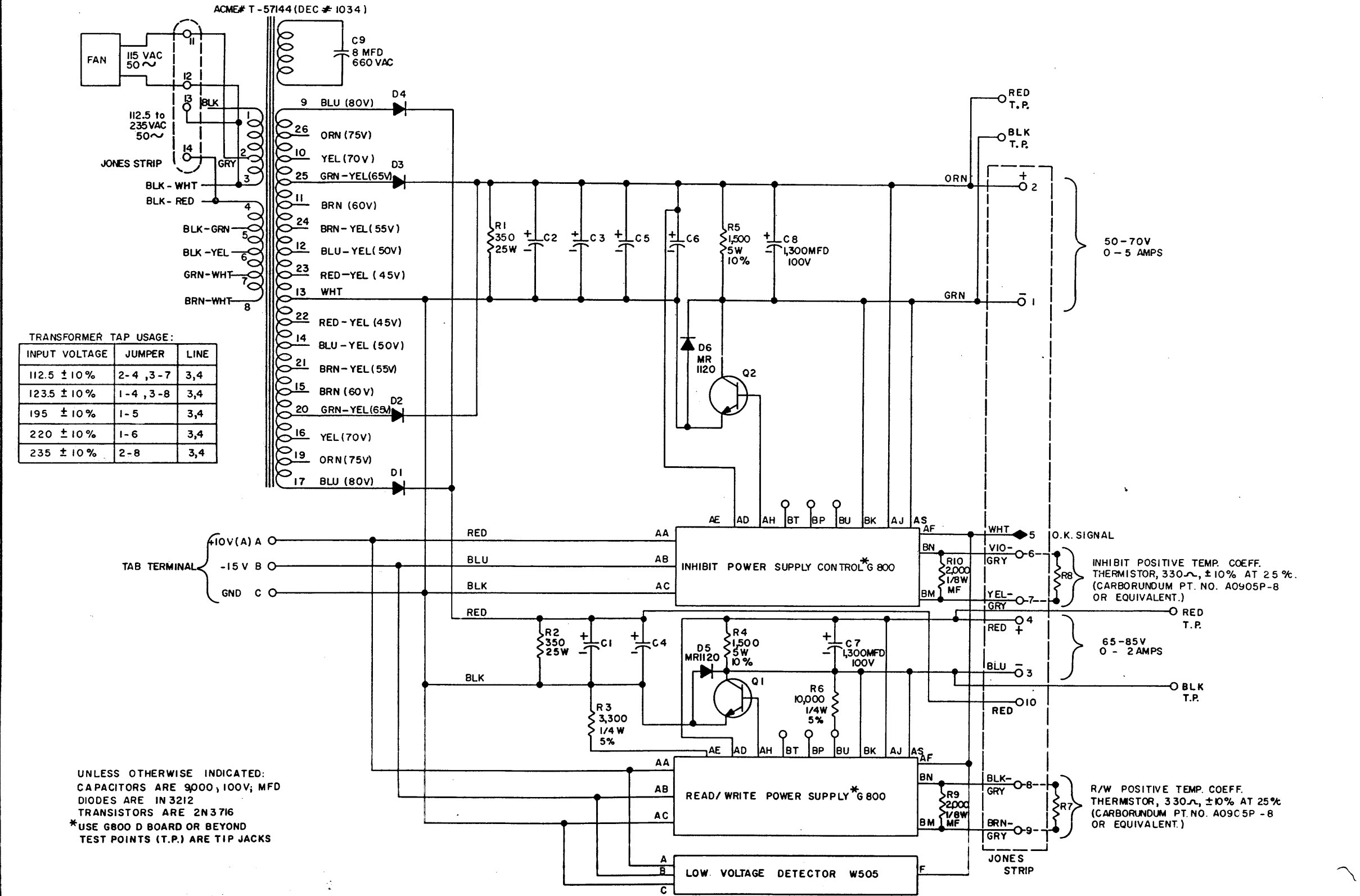


THIS SCHEMATIC IS FURNISHED ONLY FOR TEST AND MAINTENANCE PURPOSES. THE CIRCUITS ARE PROPRIETARY IN NATURE AND SHOULD BE TREATED ACCORDINGLY. COPYRIGHT 1966 BY DIGITAL EQUIPMENT CORPORATION



REV.	CHK	NO.	REV.
1	A	6448	
2	B	6822	

DRN.	DATE
Q. Casella	10/20/66
CHK'D	DATE
W. Shaw	10/20/66
ENG.	DATE
H. Boyle	10/21/66
PROD.	DATE

TRANSISTOR & DIODE CONVERSION CHART			
DEC	EIA	DEC	EIA
2N3716	2N3716		
MR1120	MR1120		
IN3212	IN3212		

digital EQUIPMENT CORPORATION
MAYNARD, MASSACHUSETTS

TITLE: POWER SUPPLY 739E

SIZE: C CS NUMBER: 739-E-1 REV: B

PRINTED CIRCUIT REV.

REV. B
SIZE CODE NUMBER
C CS 739-E-1