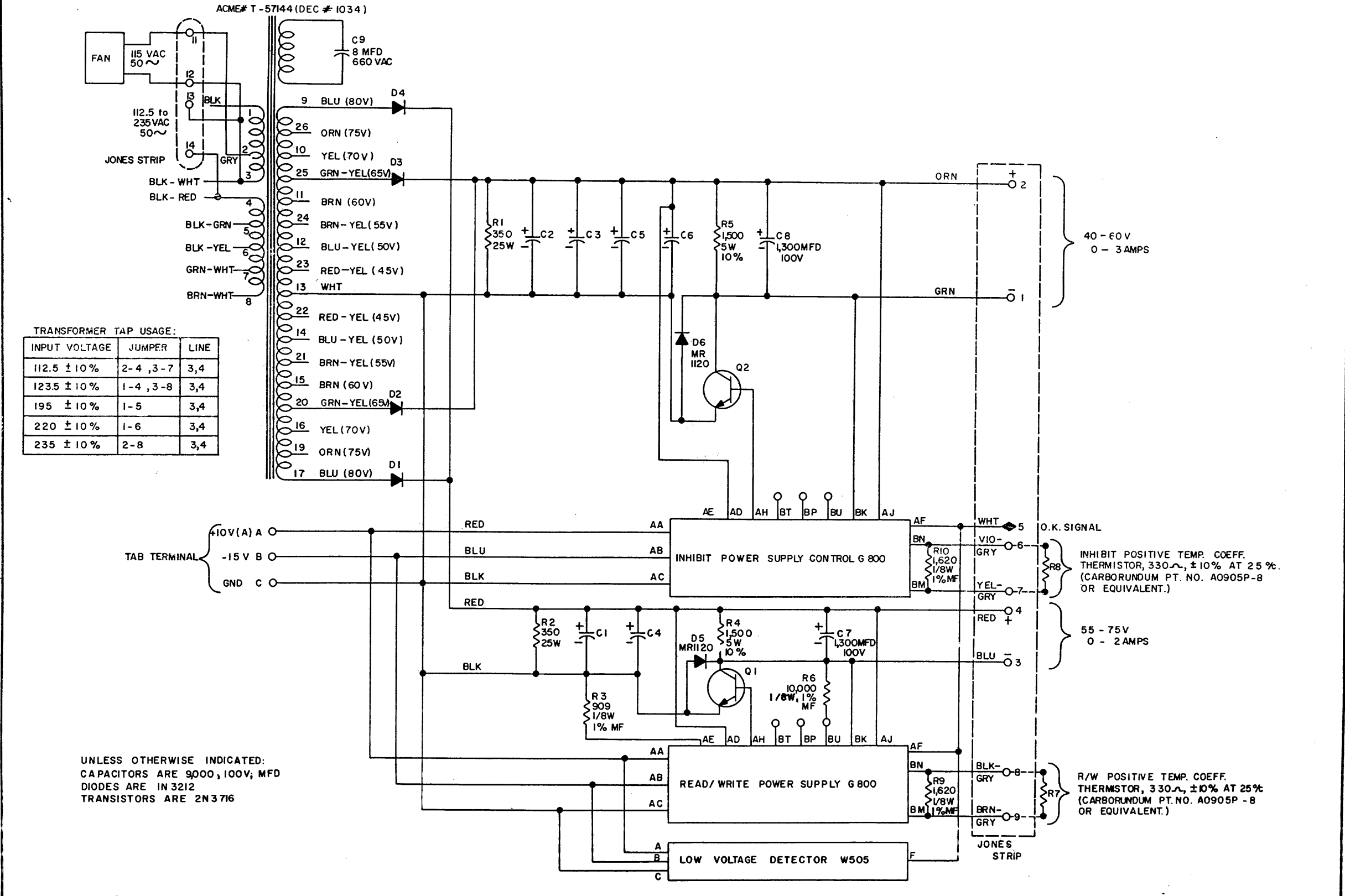


THIS SCHEMATIC IS FURNISHED ONLY FOR TEST AND MAINTENANCE PURPOSES. THE CIRCUITS ARE PROPRIETARY IN NATURE AND SHOULD BE TREATED ACCORDINGLY. COPYRIGHT 1965 BY DIGITAL EQUIPMENT CORPORATION



TRANSFORMER TAP USAGE:

INPUT VOLTAGE	JUMPER	LINE
112.5 ± 10%	2-4, 3-7	3,4
123.5 ± 10%	1-4, 3-8	3,4
195 ± 10%	1-5	3,4
220 ± 10%	1-6	3,4
235 ± 10%	2-8	3,4

UNLESS OTHERWISE INDICATED:  
CAPACITORS ARE 9000, 100V, MFD  
DIODES ARE IN 3212  
TRANSISTORS ARE 2N3716

REVISIONS

CHK	CHK NO.	REV.
5125	3	
5125	1	
5125	2	

DRN.	DATE	TRANSISTOR & DIODE CONVERSION CHART			
I. MAHN	4-12-65	DEC	EIA	DEC	EIA
CHK'D	DATE	2N3716	2N3716		
R. SILVERMAN	8-13-65	IN3212	IN3212		
ENG.	DATE	MR1120	MR1120		
D. WARDIMON	8-13-65				
PROD.	DATE				

SIZE	CODE	NUMBER	REV.
C	CS	739A-0-2	D

**digital** EQUIPMENT CORPORATION  
MAYNARD, MASSACHUSETTS

TITLE: **POWER SUPPLY 739A**

PRINTED CIRCUIT REV.

REV. D  
NUMBER  
CS 739A-0-2  
SIZE CODE C