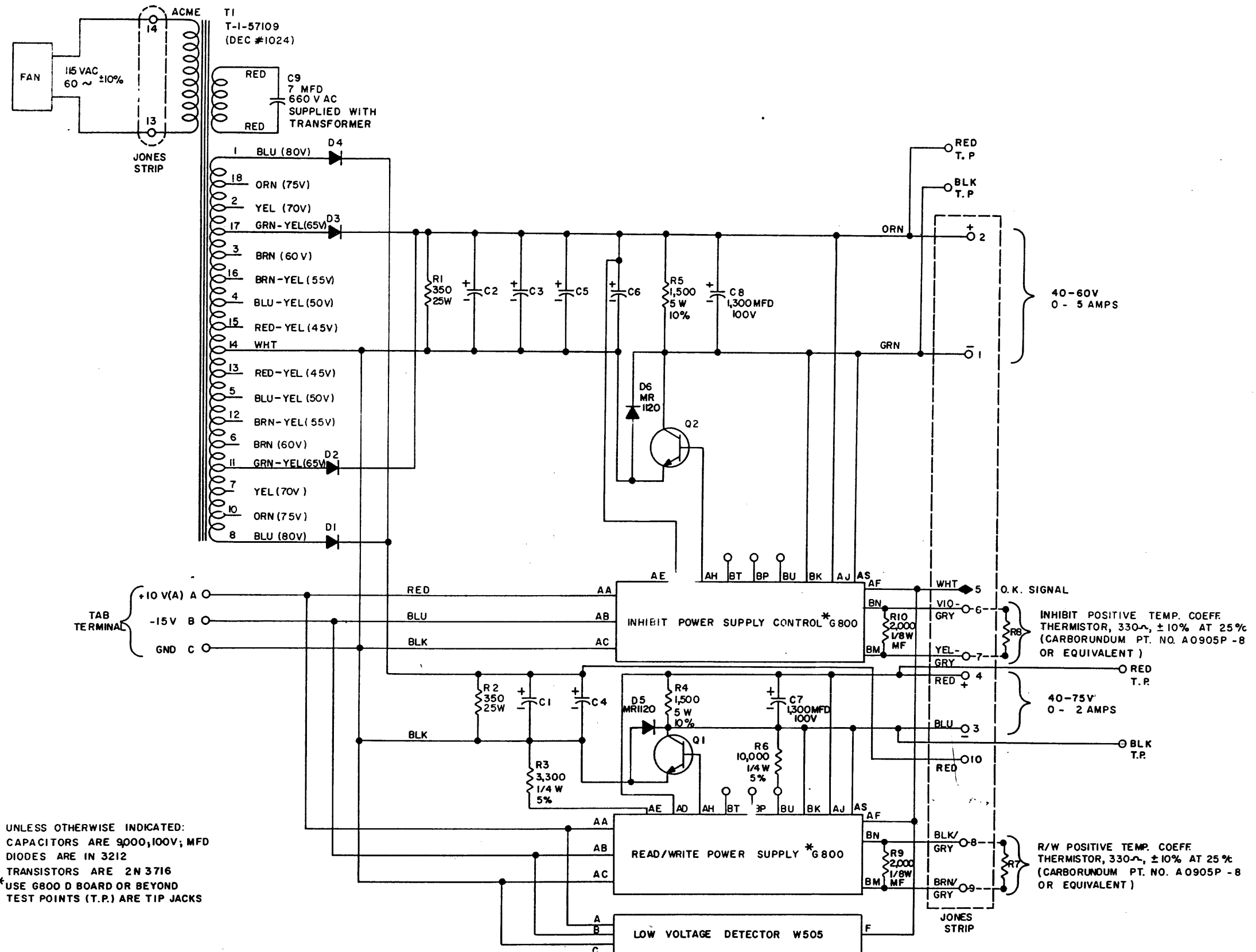


THIS SCHEMATIC IS FURNISHED ONLY FOR TEST AND MAINTENANCE PURPOSES. THE CIRCUITS ARE PROPRIETARY IN NATURE AND SHOULD BE TREATED ACCORDINGLY. COPYRIGHT 1966 BY DIGITAL EQUIPMENT CORPORATION



UNLESS OTHERWISE INDICATED:
 CAPACITORS ARE 9000, 100V; MFD
 DIODES ARE IN 3212
 TRANSISTORS ARE 2N 3716
 *USE G800 D BOARD OR BEYOND
 TEST POINTS (T.P.) ARE TIP JACKS

REV.	CHK	DATE
1	8447	A
2	8923	B

DRN. <i>Q. Crullette</i>	DATE <i>10/29/66</i>
CHK'D <i>R. Johnson</i>	DATE <i>10/29/66</i>
ENG. <i>H. Baine</i>	DATE <i>10/29/66</i>
PROD.	DATE

TRANSISTOR & DIODE CONVERSION CHART			
DEC	EIA	DEC	EIA
2N3716	2N3716		
MR1120	MR1120		
1N3212	1N3212		

digital
 EQUIPMENT CORPORATION
 MAYNARD, MASSACHUSETTS

TITLE POWER SUPPLY 739D			
SIZE C	CODE CS	NUMBER 739-D-1	REV. B
PRINTED CIRCUIT REV.			

REV. B
 NUMBER
 C CS 739-D-1