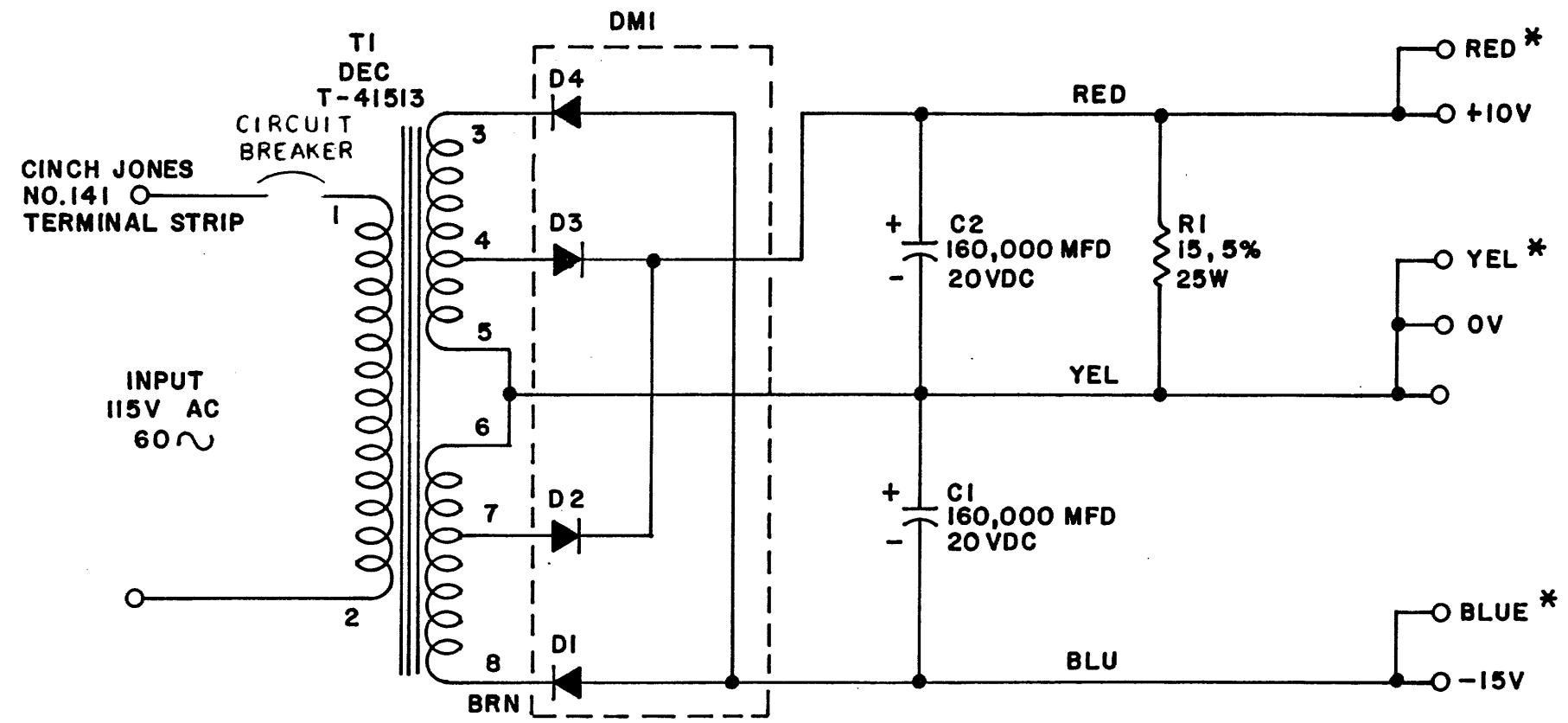


THIS SCHEMATIC IS FURNISHED ONLY FOR TEST AND MAINTENANCE PURPOSES. THE CIRCUITS ARE PROPRIETARY IN NATURE AND SHOULD BE TREATED ACCORDINGLY. COPYRIGHT 1963 BY DIGITAL EQUIPMENT CORPORATION



NOTE:
 IN ORDER TO KEEP OUTPUT VOLTAGE WITHIN THE FOLLOWING LIMITS:
 +10V: +9.5 TO +11V
 -15V: -14.5 TO -16V
 THE LOADING SHOULD BE WITHIN THE FOLLOWING LIMITS:

BOTH SIDES LOADED	+10V 0 TO 7.0 AMPS
	-15V 1.0 TO 8.0 AMPS
ONE SIDE LOADED	+10V 0 TO 7.5 AMPS
	-15V 1.0 TO 8.5 AMPS

SUM OF THE OUTPUT CURRENTS ARE LIMITED BY THE EQUATION: $5I_{10} + 6I_{15} \leq 53$

* HEYMAN MFG. CO. TAB TERMINALS

REVISIONS	CHK	CHG NO.	REV.
	DAW	4609	6
	REV	6 REDR	H
		6031	H
		728-	J
		00002	

DRN. SPAULDING	DATE 11-7-61
CHK'D N.PERRYMAN	DATE 11-8-61
ENG. D.WARDIMAN	DATE 11-9-61
PROD.	DATE

TRANSISTOR & DIODE CONVERSION CHART			
DEC	EIA	DEC	EIA

digital
 EQUIPMENT CORPORATION
 MAYNARD, MASSACHUSETTS

TITLE POWER SUPPLY 728			
SIZE B	CODE CS	NUMBER 728-0-1	REV. J
PRINTED CIRCUIT REV.			