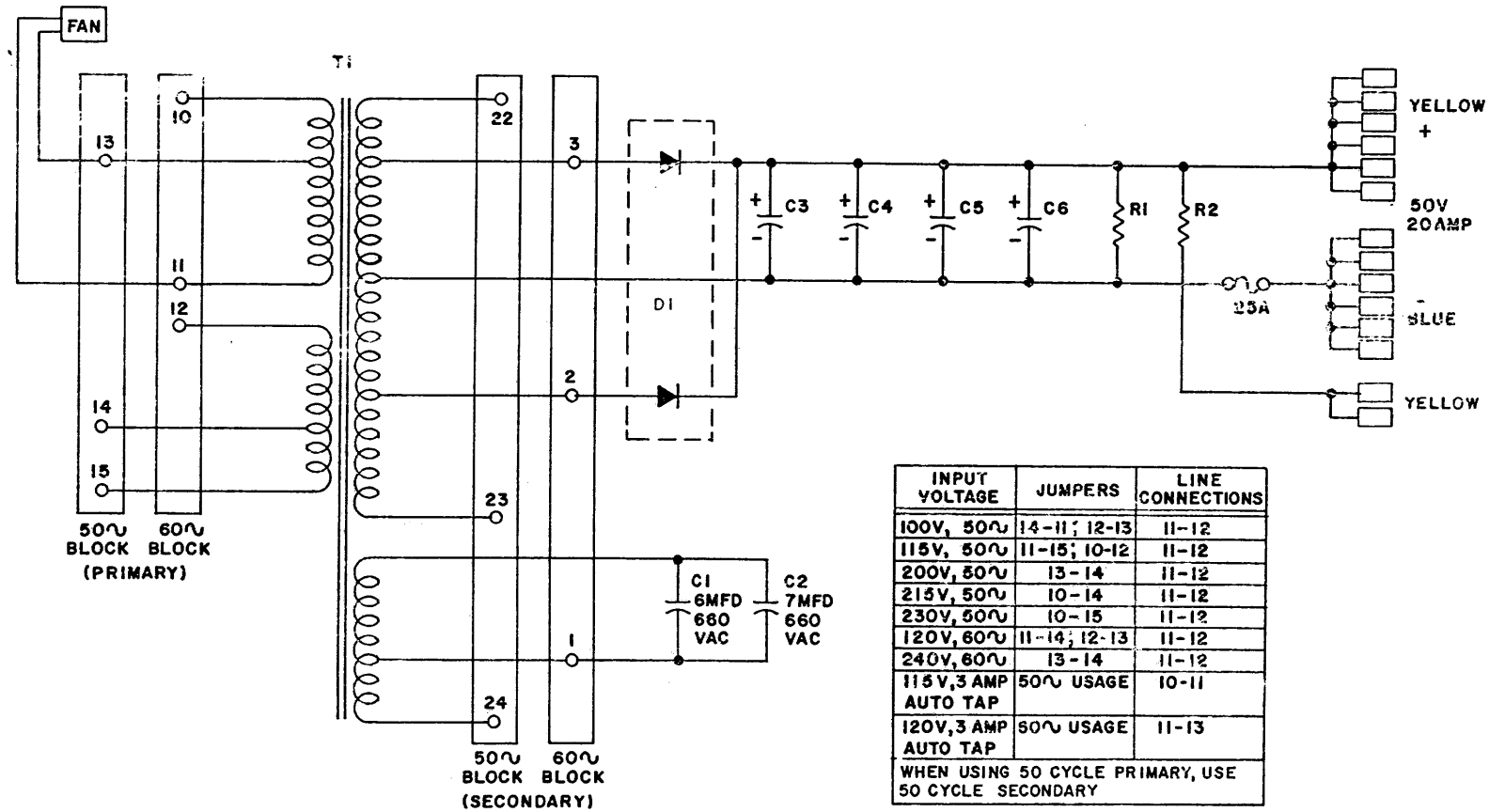


THIS SCHEMATIC IS FURNISHED ONLY FOR TEST AND MAINTENANCE PURPOSES. THE CIRCUITS ARE PROPRIETARY IN NATURE AND SHOULD BE TREATED ACCORDINGLY. COPYRIGHT 1967 BY DIGITAL EQUIPMENT CORPORATION



INPUT VOLTAGE	JUMPERS	LINE CONNECTIONS
100V, 50 $\Omega$	14-11; 12-13	11-12
115V, 50 $\Omega$	11-15; 10-12	11-12
200V, 50 $\Omega$	13-14	11-12
215V, 50 $\Omega$	10-14	11-12
230V, 50 $\Omega$	10-15	11-12
120V, 60 $\Omega$	11-14; 12-13	11-12
240V, 60 $\Omega$	13-14	11-12
115V, 3 AMP AUTO TAP	50 $\Omega$ USAGE	10-11
120V, 3 AMP AUTO TAP	50 $\Omega$ USAGE	11-13

WHEN USING 50 CYCLE PRIMARY, USE 50 CYCLE SECONDARY

NOTES:  
 C1 & C2 ARE RESONATING CAPACITORS SUPPLIED WITH TRANSFORMER  
 ARE HEYMAN MFG. CO. TAB TERMINAL IN PLASTIC BUSHING  
 WIRE IS #14

REFERENCE DESIGNATION	DESCRIPTION	PART NO.
FAN	FAN ROTRON 50/60 CPS 115VAC 14W	1205033
T1	TRANSFORMER T-65237	1605801
D1	DIODE PACK DM-15	1105799
R2	RES. 25 25W 1% WW	1300190
R1	RES. 350 25W 5% WW	1300306
C3-C6	CAP. 39,000MFD 75V-10+100% EL.	1005798
PARTS LIST		A-PL-706-0-0

REV. NO.	CHK	CHG NO.	REV.
1	A	6763	A
2	B	6783	C
3	C	6906	D
4	D	7178	E
5	E		F

DRN.	DATE
M. Waller	11-13-67
CHK'D	DATE
ENG.	DATE
P. Sullivan	11/22/67
PROD.	DATE

TRANSISTOR & DIODE CONVERSION CHART			
DEC	EIA	DEC	EIA

**digital** EQUIPMENT CORPORATION  
 MAYNARD, MASSACHUSETTS

TITLE: POWER SUPPLY 706

SIZE CODE: C CS NUMBER: 706-0-1 REV. F

PRINTED CIRCUIT REV.