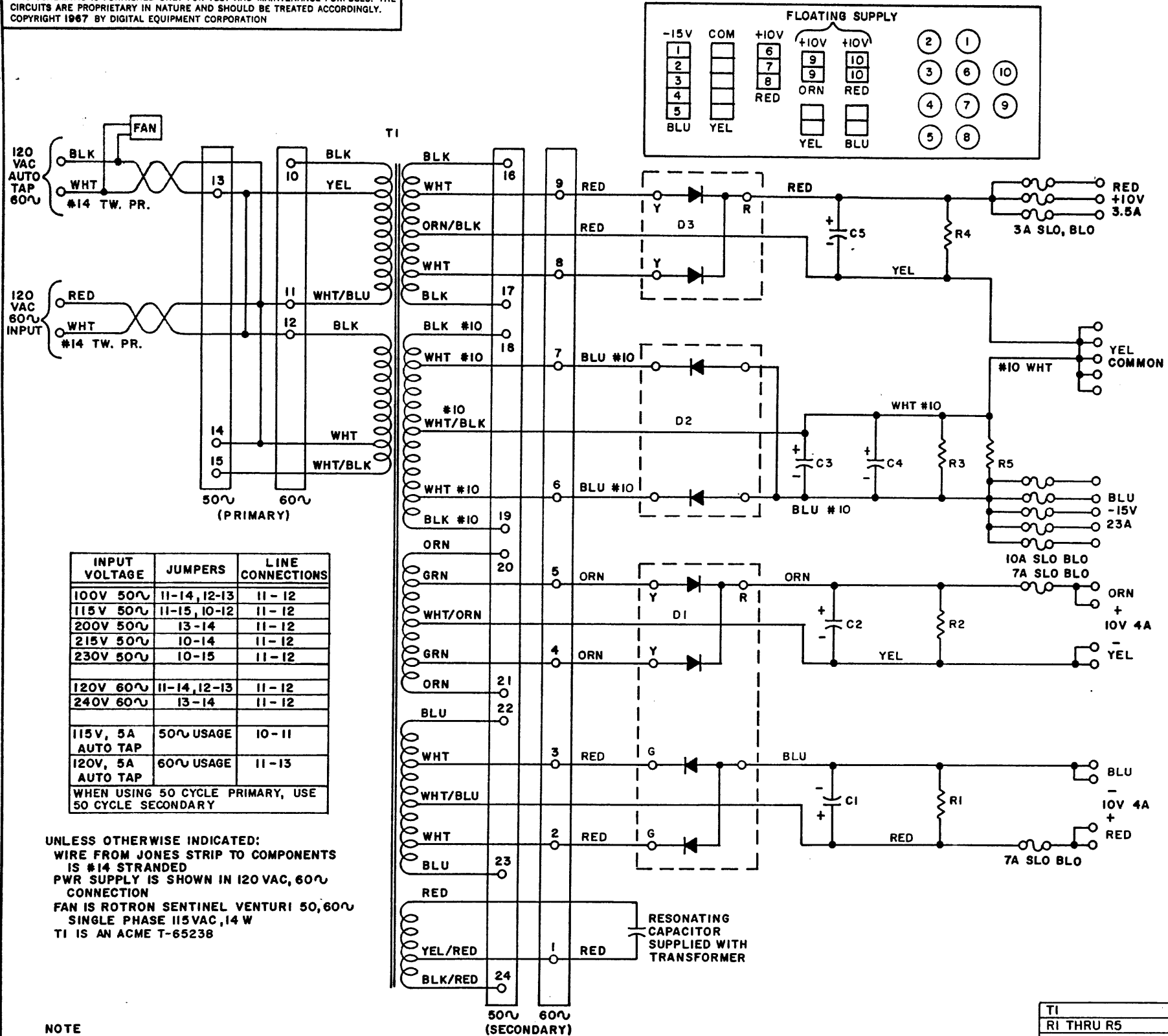


THIS SCHEMATIC IS FURNISHED ONLY FOR TEST AND MAINTENANCE PURPOSES. THE CIRCUITS ARE PROPRIETARY IN NATURE AND SHOULD BE TREATED ACCORDINGLY. COPYRIGHT 1967 BY DIGITAL EQUIPMENT CORPORATION



INPUT VOLTAGE	JUMPERS	LINE CONNECTIONS
100V 50~	11-14, 12-13	11-12
115V 50~	11-15, 10-12	11-12
200V 50~	13-14	11-12
215V 50~	10-14	11-12
230V 50~	10-15	11-12
120V 60~	11-14, 12-13	11-12
240V 60~	13-14	11-12
115V, 5A AUTO TAP	50~ USAGE	10-11
120V, 5A AUTO TAP	60~ USAGE	11-13
WHEN USING 50 CYCLE PRIMARY, USE 50 CYCLE SECONDARY		

UNLESS OTHERWISE INDICATED:
 WIRE FROM JONES STRIP TO COMPONENTS IS #14 STRANDED
 PWR SUPPLY IS SHOWN IN 120 VAC, 60~ CONNECTION
 FAN IS ROTRON SENTINEL VENTURI 50, 60~ SINGLE PHASE 115VAC, 14 W
 T1 IS AN ACME T-65238

NOTE
 O INDICATES HEYMAN TAB CONNECTORS
 O INDICATES FUSES

REFERENCE DESIGNATION	DESCRIPTION	PART NO.
T1	XFMR. ACME #T-65238	1605802
R1 THRU R5	RES. 25 25W 1% WW	1300190
D2	DIO. PACK DM-15	1105799
D1, D3	DIO. PACK DM-1	1102933
C1 THRU C5	CAP. 160,000 MFD 20V	1004874
PARTS LIST		A-PL-705-0-0
PARTS LIST		

REV.	CHG. NO.	REV.	A	B
1	1	1		

DRN.	DATE
M. Hallen	11-21-67
CHK'D	DATE
ENG.	DATE
PROD.	DATE

TRANSISTOR & DIODE CONVERSION CHART			
DEC	EIA	DEC	EIA

digital EQUIPMENT CORPORATION
 TITLE: POWER SUPPLY 705
 SIZE: C CODE: CS NUMBER: 705-0-1 REV.: B
 PRINTED CIRCUIT REV.

REV. B
 NUMBER 705-0-1
 SIZE CODE C CS