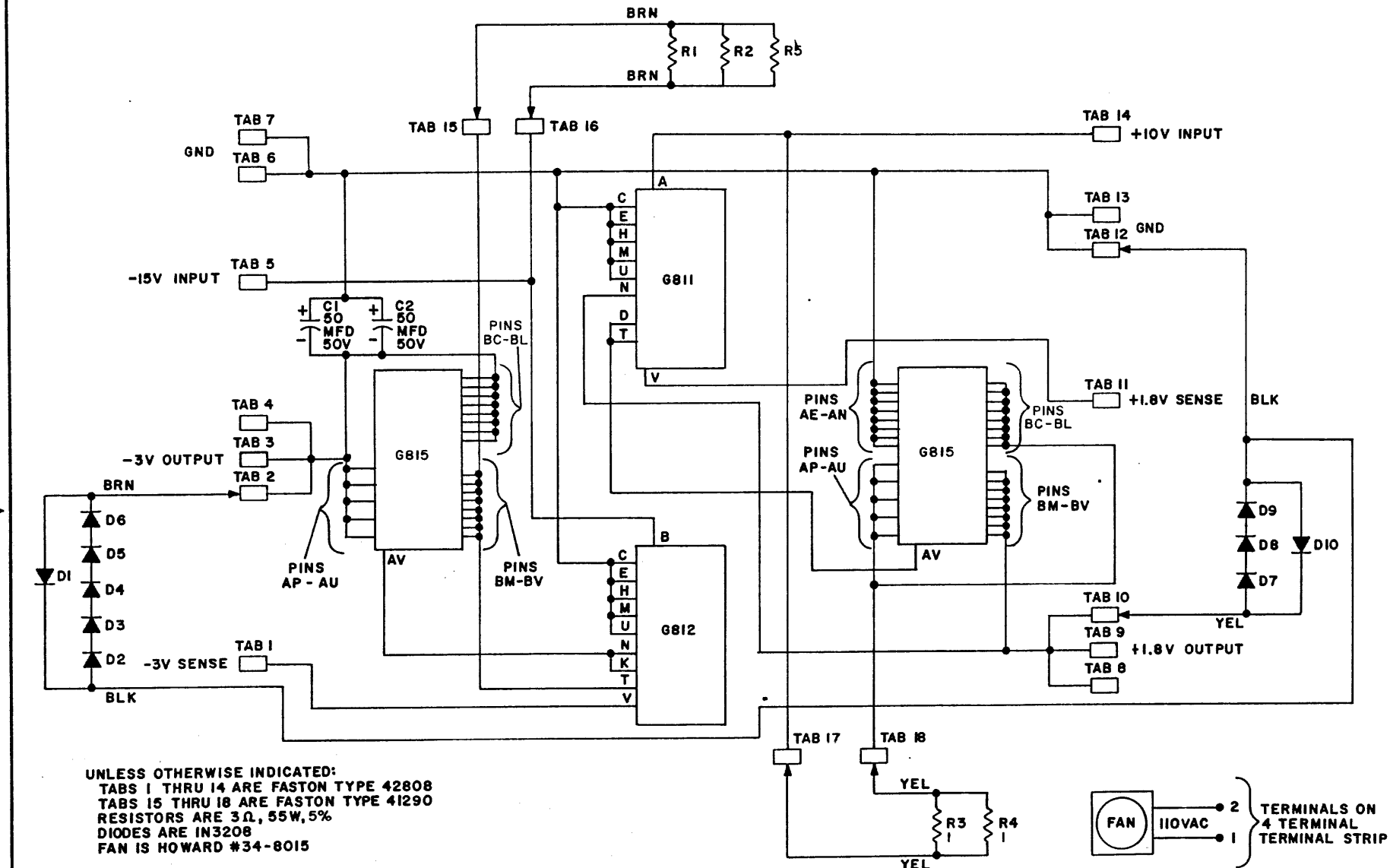


THIS SCHEMATIC IS FURNISHED ONLY FOR TEST AND MAINTENANCE PURPOSES. THE CIRCUITS ARE PROPRIETARY IN NATURE AND SHOULD BE TREATED ACCORDINGLY. COPYRIGHT 1967 BY DIGITAL EQUIPMENT CORPORATION



UNLESS OTHERWISE INDICATED:
 TABS 1 THRU 14 ARE FASTON TYPE 42808
 TABS 15 THRU 18 ARE FASTON TYPE 41290
 RESISTORS ARE 3Ω, 55W, 5%
 DIODES ARE IN3208
 FAN IS HOWARD #34-8015

PARTS LIST IS A-PL-703-0-0
 ETCH BOARD IS 5404326

REV.	CHG NO.	REV.
6866	A	
6891	B	

DEC FORM NO. DRC 102

DRN. M. HALLER	DATE 9-12-67
CHK'D R. SILVERMAN	DATE 9-13-67
ENG. W. WALTON	DATE 9-14-67
PROD.	DATE

TRANSISTOR & DIODE CONVERSION CHART			
DEC	EIA	DEC	EIA
IN3208	SAME		

digital
 EQUIPMENT CORPORATION
 MAYNARD, MASSACHUSETTS

TITLE POWER SUPPLY 703			
SIZE C	CODE CS	NUMBER 703-0-1	REV. B
PRINTED CIRCUIT REV.			

SIZE CODE NUMBER REV.
 C CS 703-0-1 B