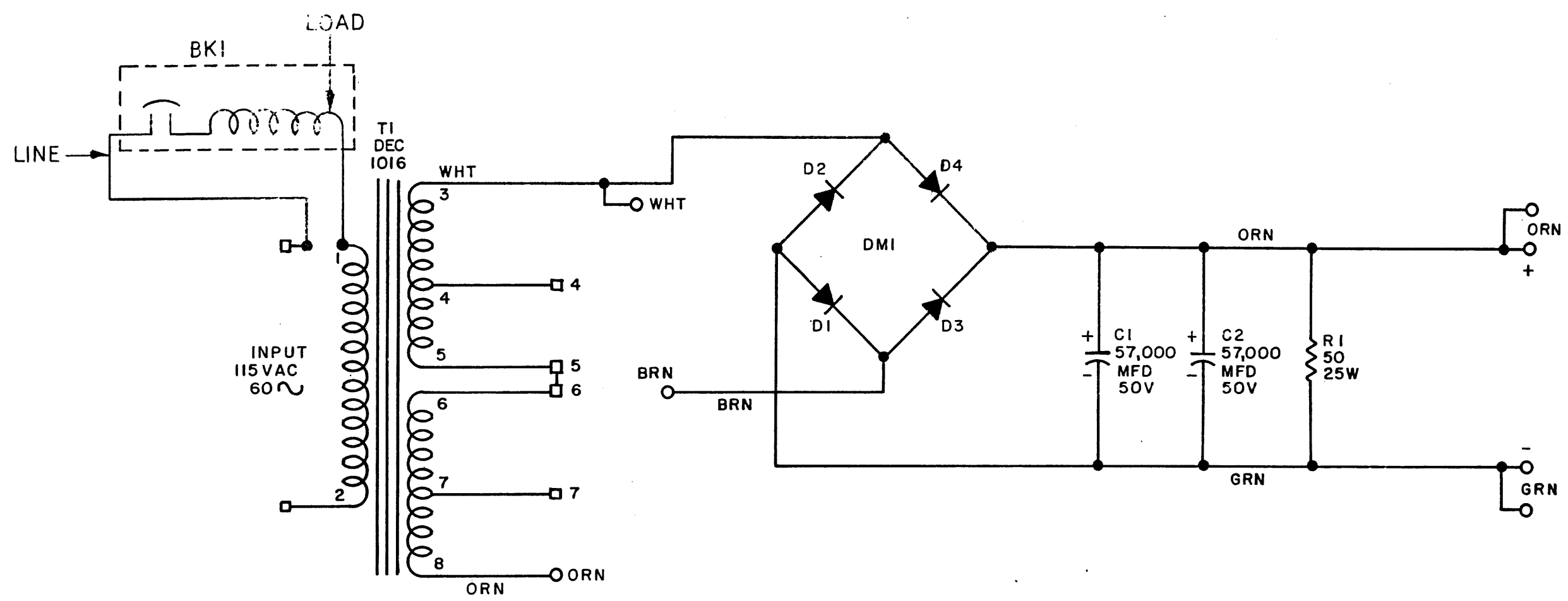


THIS SCHEMATIC IS FURNISHED ONLY FOR TEST AND MAINTENANCE PURPOSES. THE CIRCUITS ARE PROPRIETARY IN NATURE AND SHOULD BE TREATED ACCORDINGLY. COPYRIGHT 1967 BY DIGITAL EQUIPMENT CORPORATION



UNLESS OTHERWISE INDICATED:
 □ CINCH JONES STRIP
 ○ HEYMAN TAB CONNECTORS
 USE #14 AWG STRANDED WIRE

REVISIONS	CHK	CHG NO.	REV.
		702-1	A

DRN.	M. Haller	DATE	5-25-67
CHK'D		DATE	5-25-67
ENG.		DATE	5-25-67
PROD.		DATE	

TRANSISTOR & DIODE CONVERSION CHART			
DEC	EIA	DEC	EIA

digital
 EQUIPMENT CORPORATION
 MAYNARD, MASSACHUSETTS

TITLE MARGINAL CHECK POWER SUPPLY 702			
SIZE	CODE	NUMBER	REV.
B	CS	702-0-1	A
PRINTED CIRCUIT REV.			