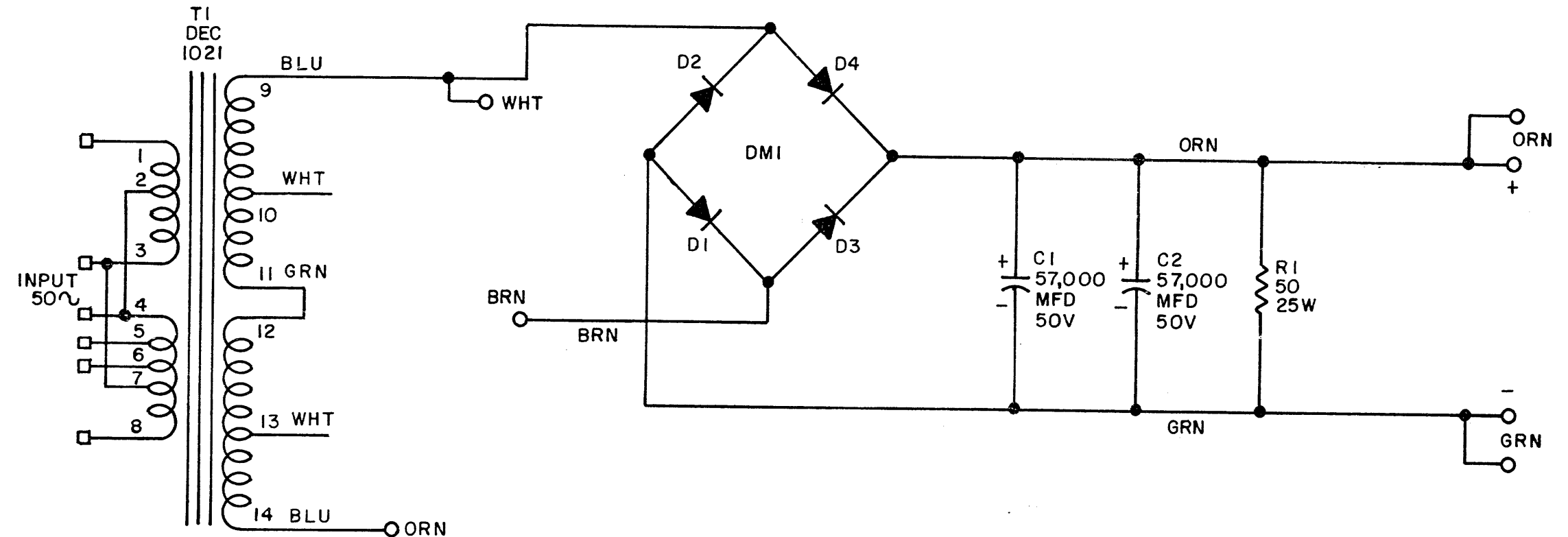


THIS SCHEMATIC IS FURNISHED ONLY FOR TEST AND MAINTENANCE PURPOSES. THE CIRCUITS ARE PROPRIETARY IN NATURE AND SHOULD BE TREATED ACCORDINGLY. COPYRIGHT 1967 BY DIGITAL EQUIPMENT CORPORATION

REV. A
 NUMBER 702A-0-1
 SIZE CODE B CS



NOTE:

INPUT VOLTAGE	JUMPER	LINE
112.5 10%	2-4, 3-7	3, 4
123.5 10%	1-4, 3-7	3, 4
195 10%	1-5	3, 4
220 10%	1-6	3, 4
235 10%	2-8	3, 4

- CINCH JONES STRIP
- HEYMAN TAB CONNECTORS
- USE #14 AWG STRANDED WIRE

REVISIONS	CHK	CHG NO.	REV.
		6524	A

DRN. <i>M. Waller</i>	DATE 6-21-67
CHK'D <i>J. Liberman</i>	DATE 6/26/67
ENG. <i>J. E. Drew</i>	DATE 6-26-67
PROD.	DATE

TRANSISTOR & DIODE CONVERSION CHART			
DEC	EIA	DEC	EIA

digital
 EQUIPMENT CORPORATION
 MAYNARD, MASSACHUSETTS

TITLE			
POWER SUPPLY 702A			
SIZE B	CODE CS	NUMBER 702A-0-1	REV. A
PRINTED CIRCUIT REV.			