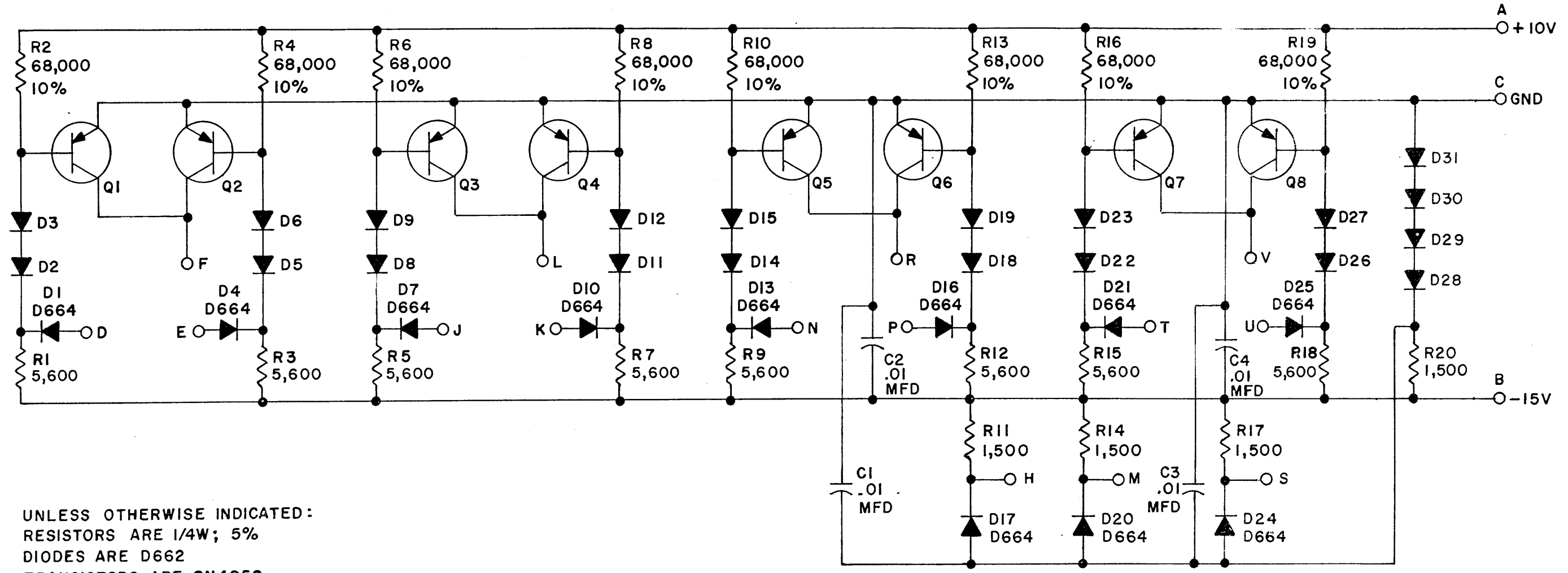


THIS SCHEMATIC IS FURNISHED ONLY FOR TEST AND MAINTENANCE PURPOSES. THE CIRCUITS ARE PROPRIETARY IN NATURE AND SHOULD BE TREATED ACCORDINGLY. COPYRIGHT 1969 BY DIGITAL EQUIPMENT CORPORATION



UNLESS OTHERWISE INDICATED:  
RESISTORS ARE 1/4W; 5%  
DIODES ARE D662  
TRANSISTORS ARE 2N4258

USE THE ETCH BOARD OF THE B134

REVISIONS CHK CHG NO. REV	DRN. <i>M. Haller</i>	DATE 3-26-69	TRANSISTOR & DIODE CONVERSION CHART					TITLE DIODE GATE B136			
	CHK'D <i>A. Young</i>	DATE 3-31-69	DEC	EIA	DEC	EIA		SIZE B	CODE CS	NUMBER B136-0-1	REV
	ENG. <i>J. Hachenberg</i>	DATE 4-4-69	2N4258	2N4258			EQUIPMENT CORPORATION				
	PROD.		D662	1N645			MAYNARD, MASSACHUSETTS				
			D664	1N3606			PRINTED CIRCUIT REV B				