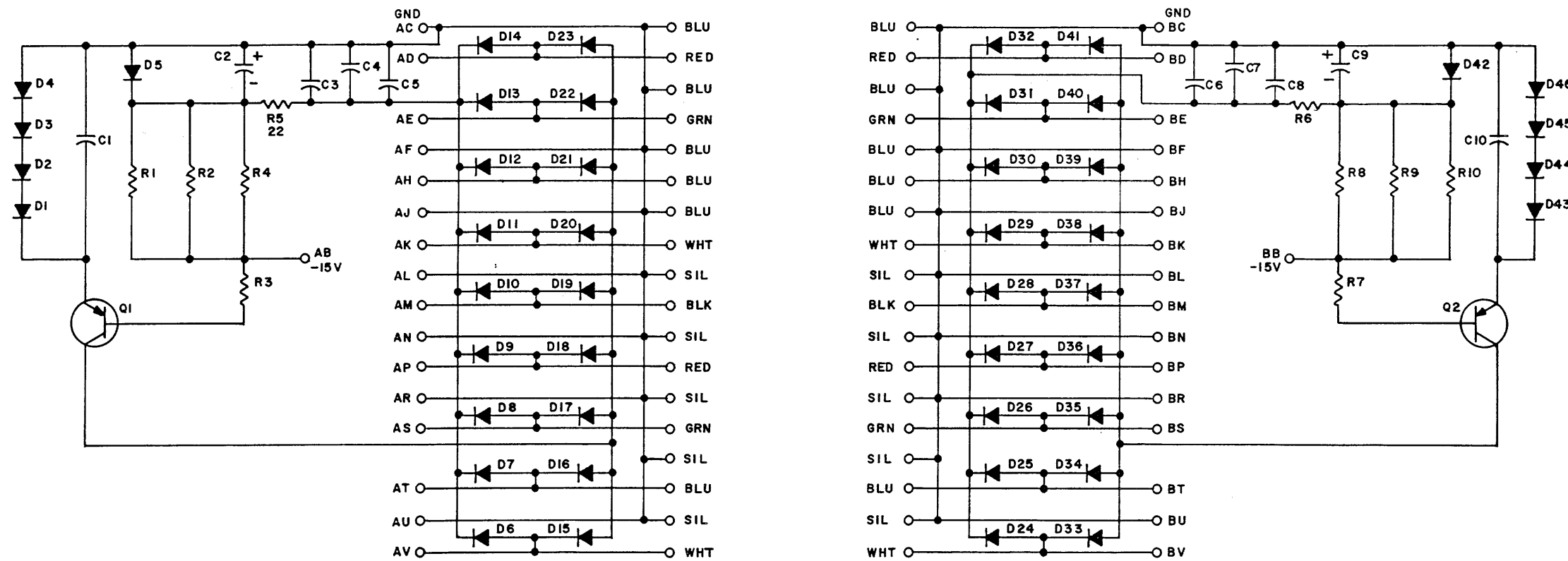


THIS SCHEMATIC IS FURNISHED ONLY FOR TEST AND MAINTENANCE PURPOSES. THE CIRCUITS ARE PROPRIETARY IN NATURE AND SHOULD BE TREATED ACCORDINGLY. COPYRIGHT 1967 BY DIGITAL EQUIPMENT CORPORATION



Q1, Q2	TRANSISTOR DEC3638B OR DEC6534D	1502979 1503409-00
R1-R4, R7-R10	RES. 1.5K 1/4W 5% CC	1300391
R5, R6	RES. 22 1/4W 5% CC	1301969
D6-D41	DIODE D664	1100114
D1-D5, D42-D46	DIODE D662	1100113
C2, C9	CAP. 3.9MFD 10V 20% S.TANT	1000064
C1, C3-C8, C10	CAP. .01MFD 100V 20% DISC	1001610
PARTS LIST		A-PL-W851-0-0
REFERENCE DESIGNATION	DESCRIPTION	PART NO.

REVISIONS	CHK	ENG	DATE
1	W. H. W.	7-25-67	
2			
3			
4			

DRN	DATE
W. H. W.	7-25-67
CHK'D	DATE
ENG.	DATE
PROD.	DATE

TRANSISTOR & DIODE CONVERSION CHART			
DEC	EIA	DEC	EIA
DEC6534D	MPS6534		
DEC3638B	2N3638		
D662	1N645		
D664	1N3606		

**digital**  
EQUIPMENT CORPORATION  
MAYNARD, MASSACHUSETTS

TITLE PDP-10 BUS CONNECTOR BOARD W851			
SIZE	CODE	NUMBER	REV.
C	CS	W851-0-1	D
PRINTED CIRCUIT REV.			DE

REV. D  
NUMBER  
W851-0-1  
SIZE CODE  
C CS