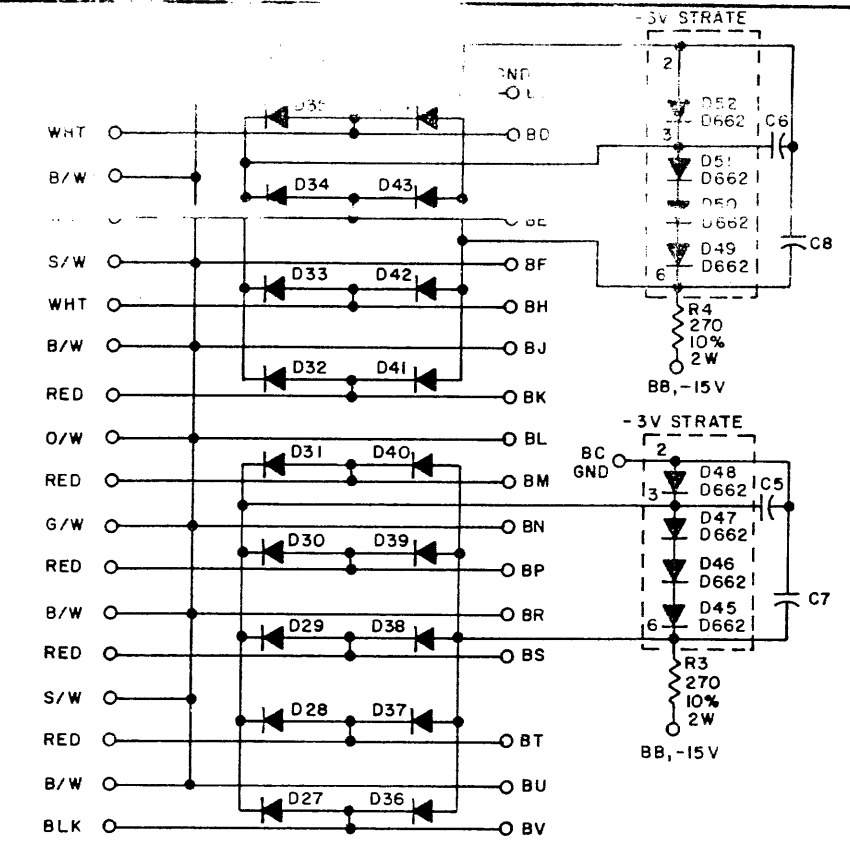
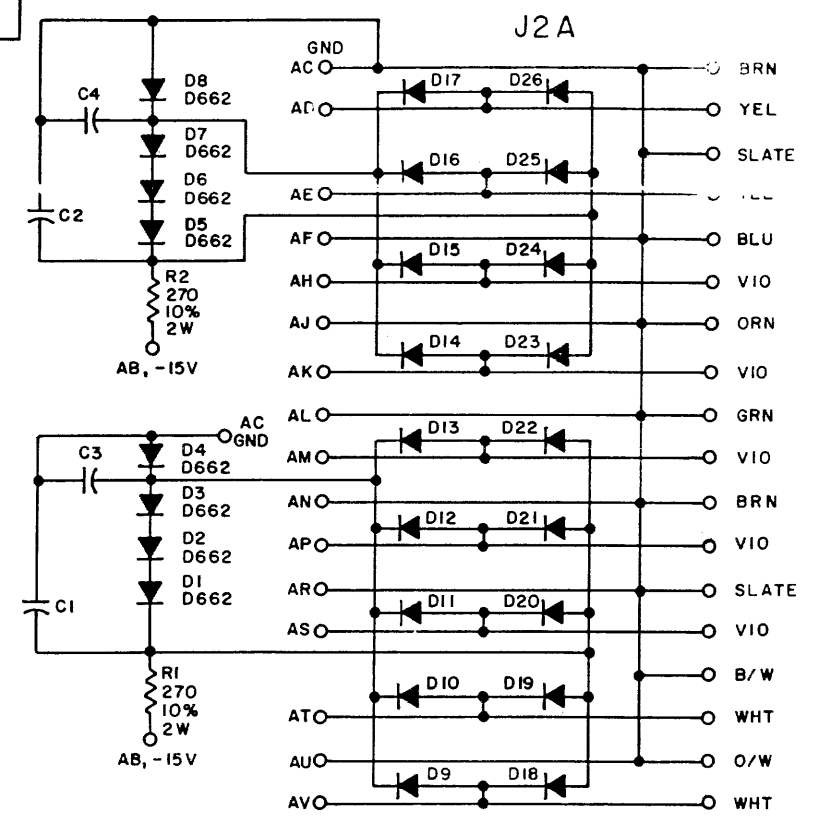
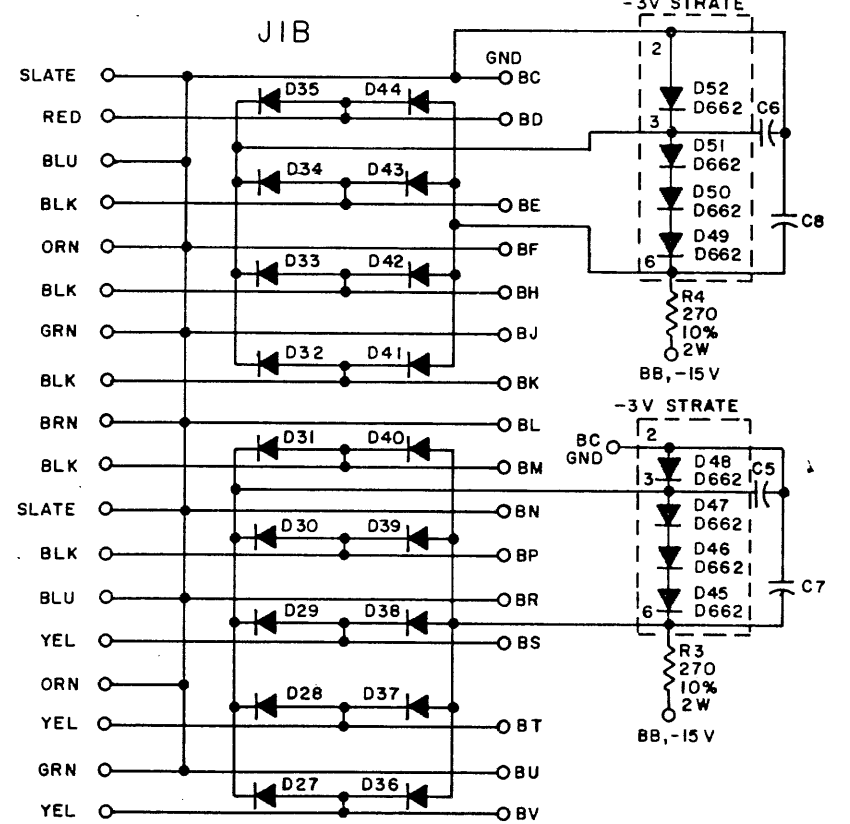
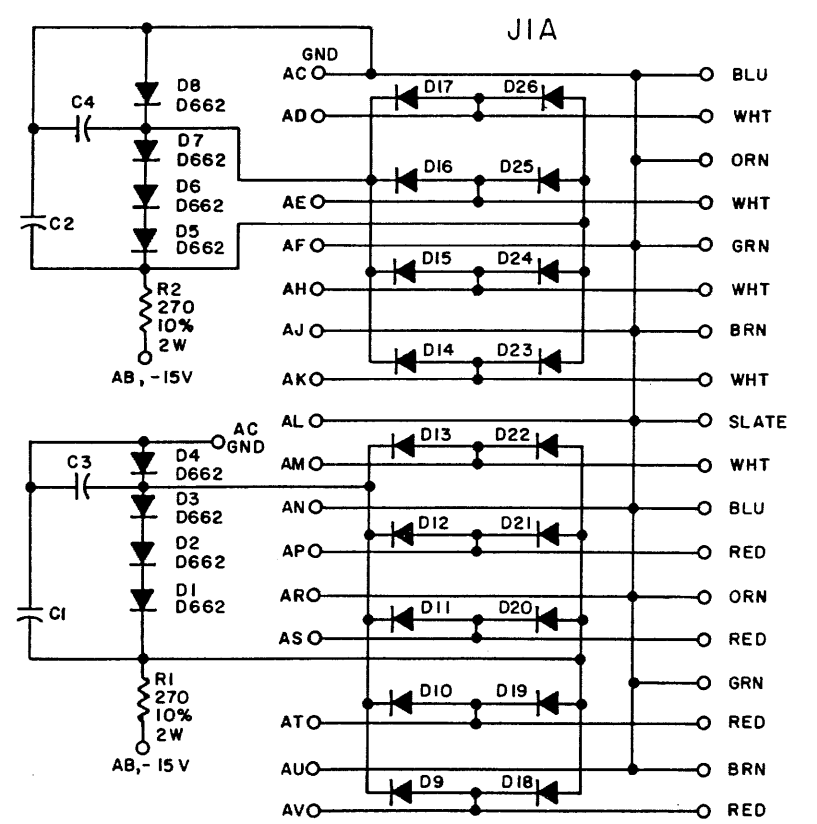


THIS SCHEMATIC IS FURNISHED ONLY FOR TEST AND MAINTENANCE PURPOSES. THE CIRCUITS ARE PROPRIETARY IN NATURE AND SHOULD BE TREATED ACCORDINGLY. COPYRIGHT 1966 BY DIGITAL EQUIPMENT CORPORATION



J2



J1

UNLESS OTHERWISE INDICATED:
DIODES ARE D664
CAPACITORS ARE .01 MFD, 100V, 20%

REV.	CHG. NO.	REV.
1	5906	A
2	00001	D

DEC FORM NO. DRC 102

ORN. <i>M. Waller</i>	DATE 11-2-66
CHK'D R. SILVERMAN	DATE 11-4-66
ENG. R. CAJOLET	DATE 11-4-66
PROD.	DATE

TRANSISTOR & DIODE CONVERSION CHART			
DEC	EIA	DEC	EIA
D662	1N645		
D664	1N3606		

digital
EQUIPMENT CORPORATION
MAYNARD, MASSACHUSETTS

TITLE I. O. CONNECTOR W850		NUMBER W850-0-1	REV. D
SIZE C	CODE CS	PRINTED CIRCUIT REV. CD	

REV. D
NUMBER W850-0-1
SIZE CODE CS