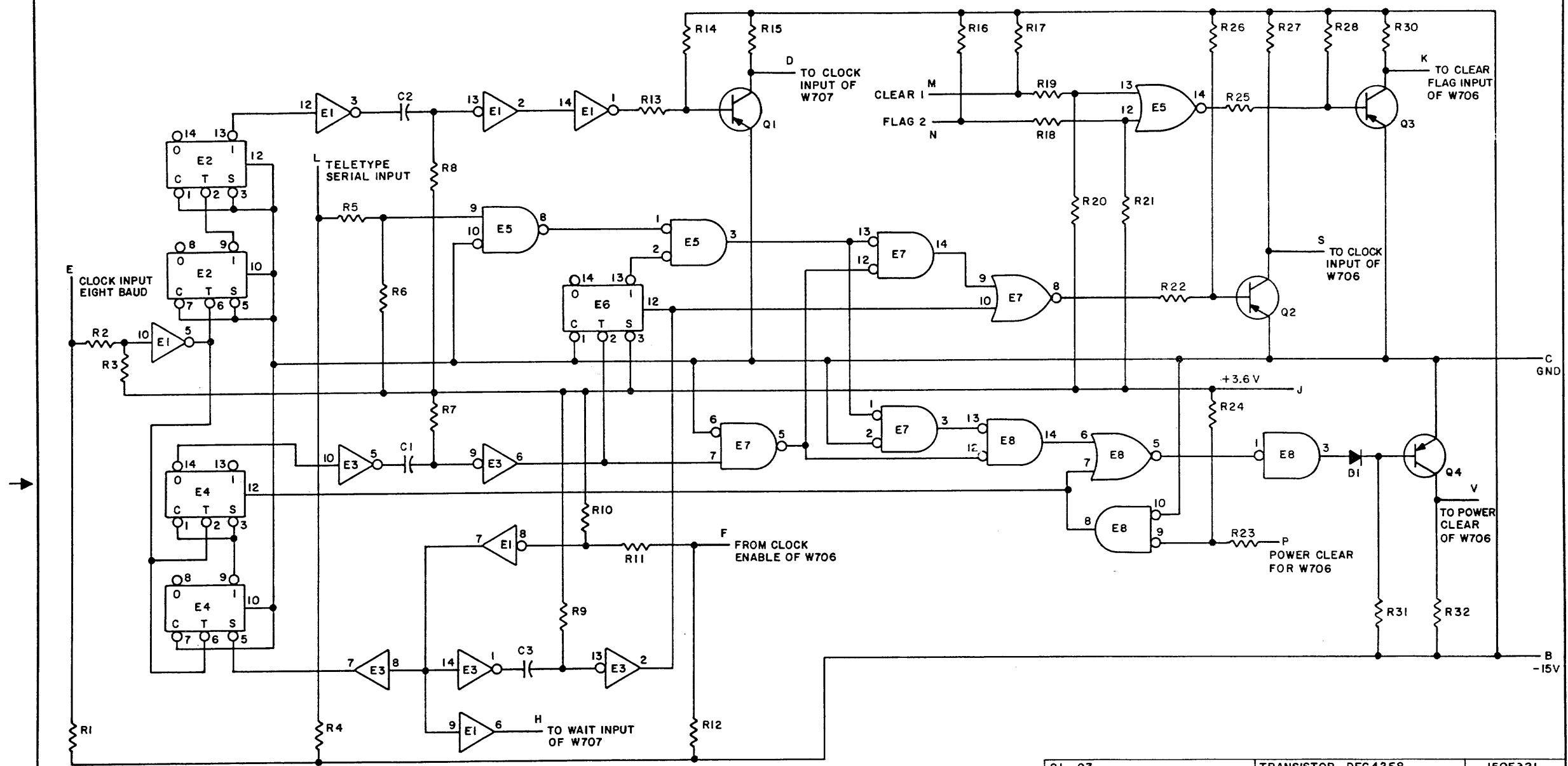


THIS SCHEMATIC IS FURNISHED ONLY FOR TEST AND MAINTENANCE PURPOSES. THE CIRCUITS ARE PROPRIETARY IN NATURE AND SHOULD BE TREATED ACCORDINGLY. COPYRIGHT 1967 BY DIGITAL EQUIPMENT CORPORATION



NOTES:
 PIN 4 ON EACH IC = GND
 PIN 11 ON EACH IC = +3.6V
 IC'S ARE MOTOROLA MC700 SERIES RTL

REFERENCE DESIGNATION	DESCRIPTION	PART NO.
Q1-Q3	TRANSISTOR DEC4258	1505321
E5, E7, E8	INTEGRATED CKT. MC724P	1904821
E2, E4, E6	INTEGRATED CKT. MC790P	1904826
E1, E3	INTEGRATED CKT. MC789P	1904822
Q4	TRANSISTOR DEC6B	1509090-01
C1 THRU C3	CAP. 150 MMF 100V 5% D.M.	1000019
R14, R26, R28, R31	RES. 15K 1/4W 5% CC	1300496
R7, R8, R9, R13, R22, R25	RES. 2.4K 1/4W 5% CC	1303177
R3, R6, R10, R15, R20, R21, R24, R27, R32	RES. 3K 1/4W 5% CC	1300432
R2, R5, R11, R18, R19, R23	RES. 2.7K 1/4W 5% CC	1300426
R1, R4, R12, R16, R17, R30	RES. 7.5K 1/4W 5% CC	1301422
D1	DIODE D668	1102161
	PARTS LIST	A-PL-W708-0-0

REVISIONS CHK CHG NO. REV. 6842 A 7088 B 00001 C	DRN. <i>M. Waller</i> DATE 3-3-67 CHKD. <i>[Signature]</i> DATE 3/10/67 ENG. <i>[Signature]</i> DATE 3/15/67 PROD. DATE	TRANSISTOR & DIODE CONVERSION CHART DEC EIA DEC6534B MPS6934 D668 D668*	digital EQUIPMENT CORPORATION MAYNARD, MASSACHUSETTS	TITLE COMMUNICATIONS INTERFACER W708 SIZE CODE NUMBER REV. C CS W708-0-1 C
	DEC FORM NO. DRC 102			PRINTED CIRCUIT REV. A

REV. C
 NUMBER W708-0-1
 SIZE CODE C CS