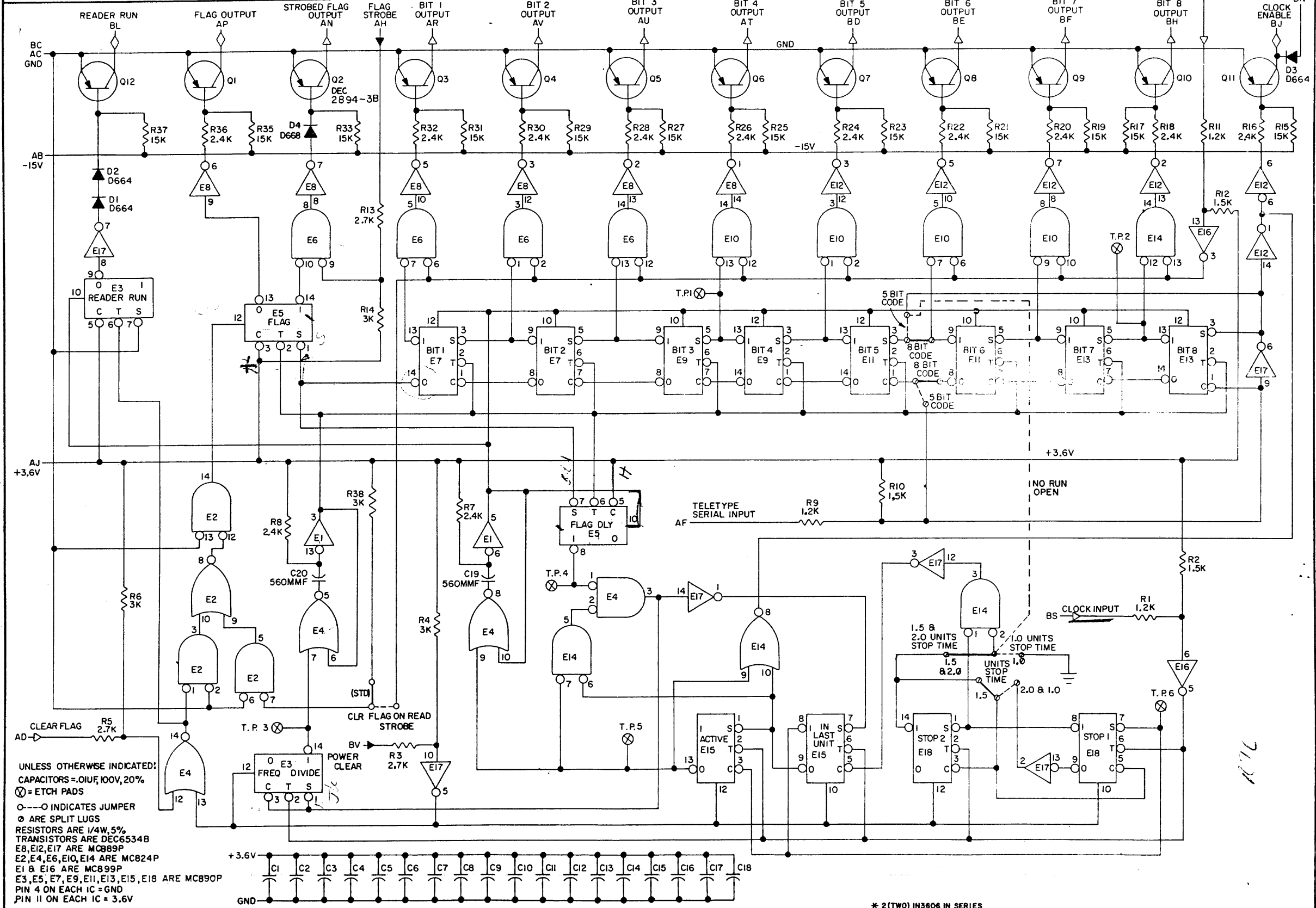


THIS SCHEMATIC IS FURNISHED ONLY FOR TEST AND MAINTENANCE PURPOSES. THE CIRCUITS ARE PROPRIETARY IN NATURE AND SHOULD BE TREATED ACCORDINGLY. COPYRIGHT 1966 BY DIGITAL EQUIPMENT CORPORATION



UNLESS OTHERWISE INDICATED:
CAPACITORS = .01UF, 100V, 20%
⊗ = ETCH PADS
○---○ INDICATES JUMPER
⊙ ARE SPLIT LUGS
RESISTORS ARE 1/4W, 5%
TRANSISTORS ARE DEC6534B
E8, E12, E17 ARE MC889P
E2, E4, E6, E10, E14 ARE MC824P
E1 & E16 ARE MC899P
E3, E5, E7, E9, E11, E13, E15, E18 ARE MC890P
PIN 4 ON EACH IC = GND
PIN 11 ON EACH IC = 3.6V

REV	NO.	CHG	BY	DATE
1	00001			
2	00002			
3	00003			
4	00004			
5	00005			
6	00006			
7	00007			
8	00008			
9	00009			
10	00010			

* 2(TWO) IN3606 IN SERIES

DRN.	DATE	DEC	EIA	DEC	EIA
HALLER	10-27-66	DEC	EIA	DEC	EIA
CHK'D	DATE	DEC6534B	MPS6534	D664	IN3606
ENG.	DATE				
PROD.	DATE				

digital		EQUIPMENT CORPORATION		MAYNARD, MASSACHUSETTS	
SIZE	CODE	NUMBER	REV		
C	CS	W706-0-1	J		
PRINTED CIRCUIT REV.					

REV. J
NUMBER W706-0-1
SIZE CODE CS