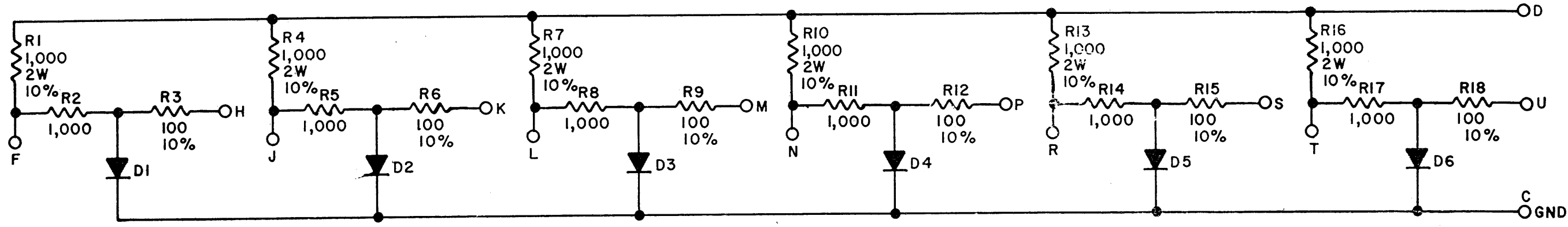


THIS SCHEMATIC IS FURNISHED ONLY FOR TEST AND MAINTENANCE PURPOSES. THE CIRCUITS ARE PROPRIETARY IN NATURE AND SHOULD BE TREATED ACCORDINGLY. COPYRIGHT 1965 BY DIGITAL EQUIPMENT CORPORATION



UNLESS OTHERWISE INDICATED:
RESISTORS ARE 1/4W; 5%
DIODES ARE D664



| | | | | | | | | |
|-----------|-----------------|-----------------|----------|-------------------------------------|--------|------------------------|-----|-----------------------------|
| REVISIONS | CHK CHG NO. REV | DRN. I. HAHN | DATE | TRANSISTOR & DIODE CONVERSION CHART | | | | TITLE INPUT NETWORK W701 |
| | REV & REDR. | | DATE | DEC | EIA | DEC | EIA | |
| | 5532 A | CHK'D | 10-20-65 | D664 | IN3606 | EQUIPMENT CORPORATION | | SIZE CODE NUMBER REV. |
| | | ENG. | 10-21-65 | | | MAYNARD, MASSACHUSETTS | | B CS W701-0-1 A |
| | | PROD. | | | | PRINTED CIRCUIT REV. | | A |