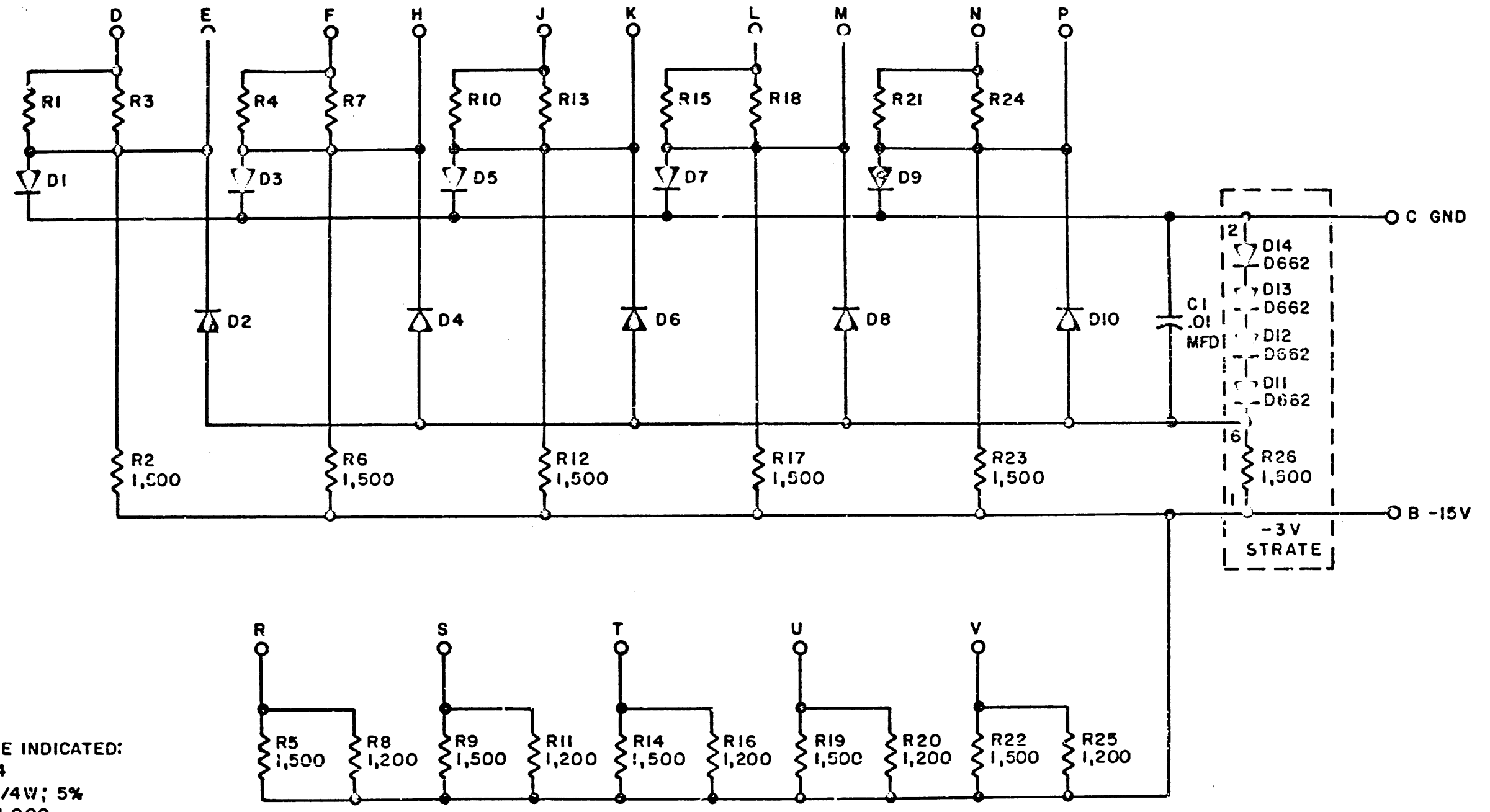
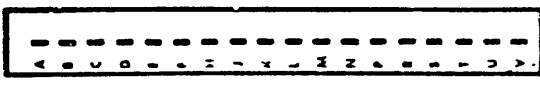


THIS DRAWING IS TO BE USED ONLY FOR TEST AND MAINTENANCE PURPOSES. THE
 INFORMATION CONTAINED HEREIN IS UNCLASSIFIED AND SHOULD BE TREATED ACCORDINGLY.
 DATE 12-13-83 BY 1045/STP/STP



UNLESS OTHERWISE INDICATED:
 DIODES ARE D364
 RESISTORS ARE 1/4W; 5%
 RESISTORS ARE 1,000



REVISIONS	DRN	DATE	TRANSISTOR & DIODE CONVERSION CHART				TELETYPE LEVEL CONVERTER W702			
	CHKD	DATE	DEC	FIA	DEC	FIA	SIZE	CODE	NUMBER	
	EST	DATE					3	CS	W702-0-1	
	PRD	DATE								
			ELECTRONIC CORPORATION MAYNARD, MASSACHUSETTS				PRINTED CIRCUIT REV. A			