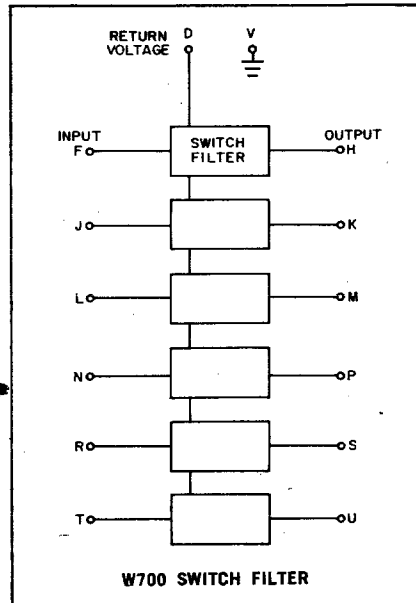


# SWITCH FILTER TYPE W700

## W SERIES



The W700 contains six switch filters for reducing contact closures to standard levels. The output drive of the switch filter is determined by the voltage to which the switch contact is returned. For maximum output drive at ground level, terminal D should be connected to  $-15\text{v}$  and the external contacts should be returned to  $+10\text{v}$ . In this case, open contacts produce a  $-3\text{v}$  output, and closed contacts produce a ground output. For maximum output drive at the  $-3\text{v}$  level, terminal D should be connected to  $+10\text{v}$  and the external contacts should be returned to  $-15\text{v}$ . In this configuration, open contacts produce a ground output and closed contacts produce

a  $-3\text{v}$  output. Typical rise and fall times are given in the table below.

**INPUT:** When terminal D is connected to  $-15\text{v}$ , 6 ma flows through a closed contact. When terminal D is connected to  $+10\text{v}$ , 7 ma flows through a closed contact.

**OUTPUT:** See table below.

**POWER:** Terminal D connected to  $-15\text{v}$ :  $+10\text{v(A)}/-0\text{ ma}$ ;  $-15\text{v(B)}/31\text{ ma}$ . Terminal D connected to  $+10\text{v}$ :  $+10\text{v(A)}/8\text{ ma}$ ;  $-15\text{v(B)}/22\text{ ma}$ .

	Typical Rise Time	Typical Fall Time	Contact Current	Output Drive	
				at gnd	at $-3\text{ v}$
D connected to $-15\text{ v}$ , switch contact returned to $+10\text{ v}$	5 msec (switch contacts closing)	20 msec (switch contacts opening)	6 ma	4 ma (switch contacts closed)	1 ma (switch contacts open)
D connected to $+10\text{ v}$ , switch contact returned to $-15\text{ v}$	25 msec (switch contacts opening)	3 msec (switch contacts closing)	7 ma	1 ma (switch contacts open)	5 ma (switch contacts closed)