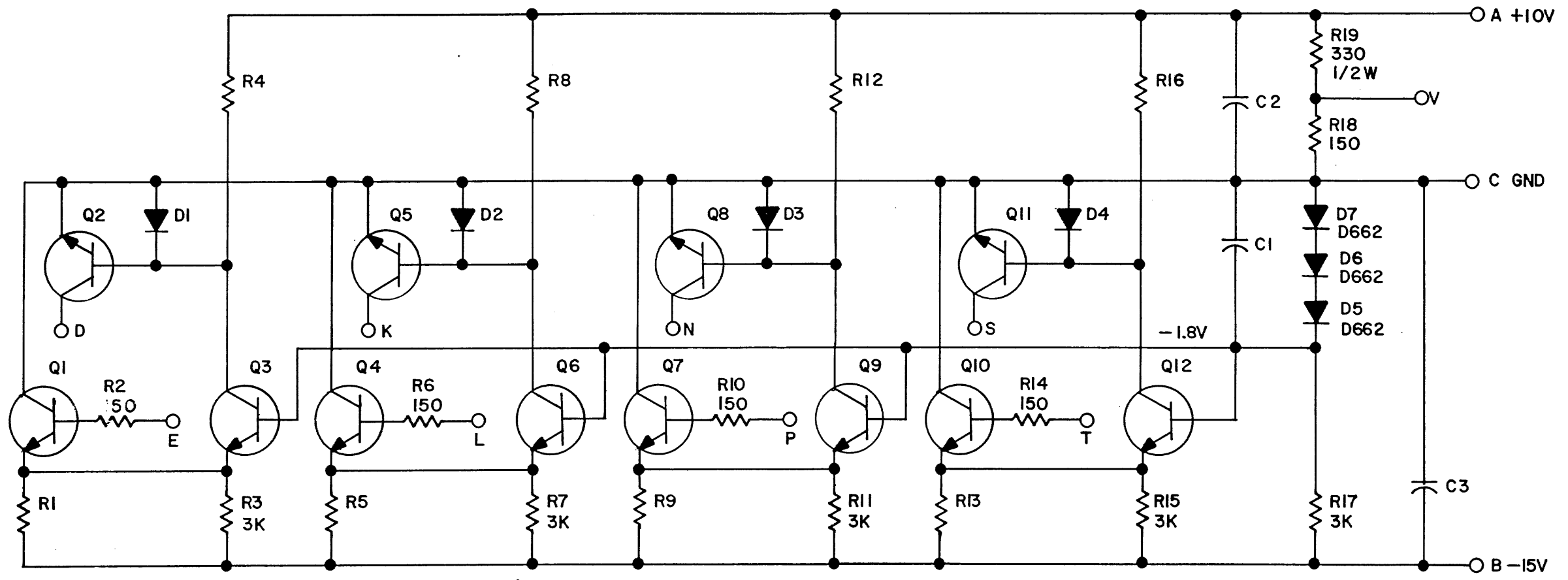


THIS SCHEMATIC IS FURNISHED ONLY FOR TEST AND MAINTENANCE PURPOSES. THE CIRCUITS ARE PROPRIETARY IN NATURE AND SHOULD BE TREATED ACCORDINGLY. COPYRIGHT 1967 BY DIGITAL EQUIPMENT CORPORATION



UNLESS OTHERWISE INDICATED:  
 TRANSISTORS ARE DEC3009B  
 RESISTORS ARE 1.5K, 1/4W, 5%  
 DIODES ARE D664  
 CAPACITORS ARE .01UF, 100V, 20%

REVISIONS	CHK CHG NO. REV.	A	DRN. M. HALLER DATE 3-23-67	TRANSISTOR & DIODE CONVERSION CHART				<b>digital</b>	TITLE DEC TO IBM 360 BUS DRIVER W692				
	FWG. 00001			CHK'D R. SILVERMAN DATE 3-24-67	DEC	EIA	DEC		EIA	SIZE B	CODE CS	NUMBER W692-0-1	REV. A
				ENG. R. SOGGE DATE 3-24-67	DEC3009B	2N3009				EQUIPMENT CORPORATION			
				PROD.	D662	IN645				MAYNARD, MASSACHUSETTS			