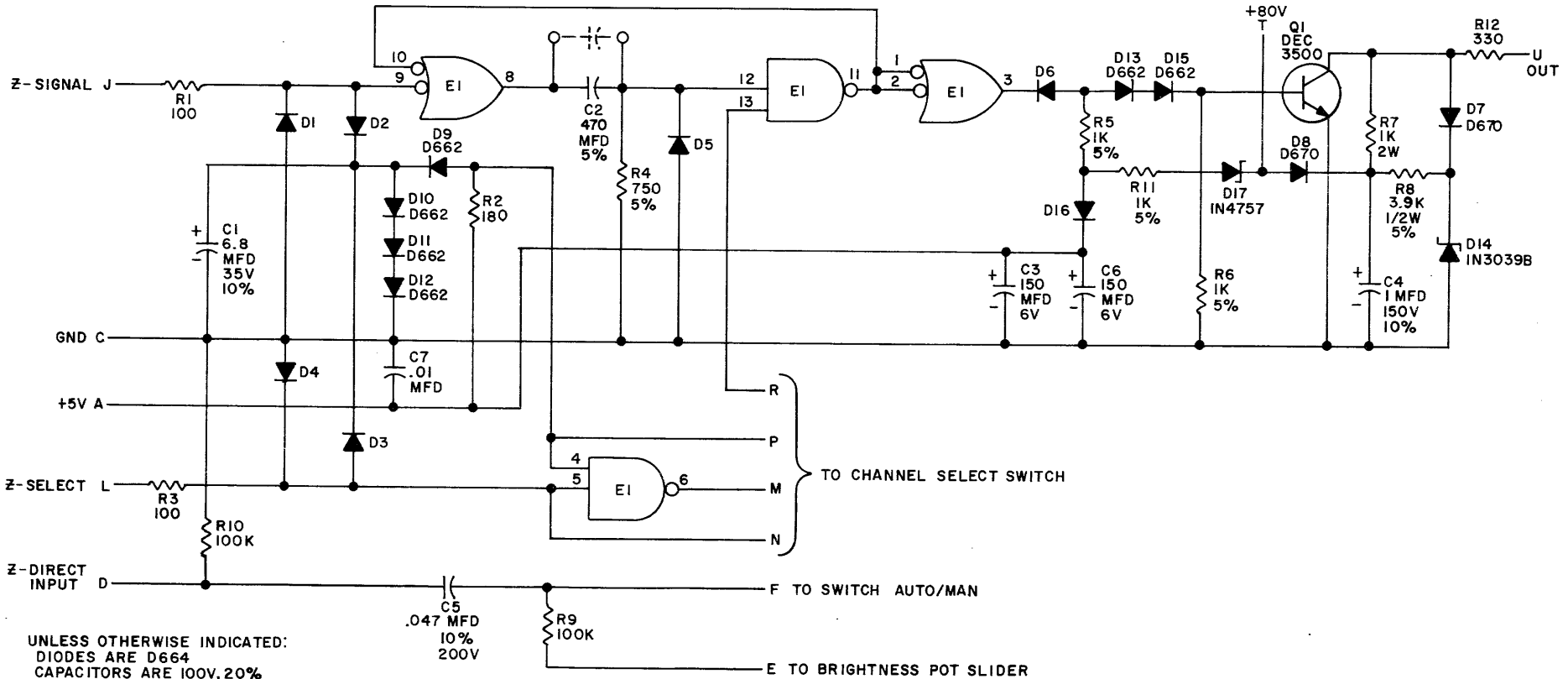


THIS SCHEMATIC IS FURNISHED ONLY FOR TEST AND MAINTENANCE PURPOSES. THE CIRCUITS ARE PROPRIETARY IN NATURE AND SHOULD BE TREATED ACCORDINGLY. COPYRIGHT 1969 BY DIGITAL EQUIPMENT CORPORATION



UNLESS OTHERWISE INDICATED:
 DIODES ARE D664
 CAPACITORS ARE 100V, 20%
 E1 IS DEC7400N
 PIN 7 ON IC = GND
 PIN 14 ON IC = +5V
 RESISTORS ARE 1/4W, 10%

REVISIONS	CHK	CHG NO.	REV.
		00001	B
		00002	C
		00003	D
		00004	E

DRN. <i>M. Keller</i>	DATE <i>5-20-69</i>
CHK'D. <i>V. d. Kalette</i>	DATE <i>6/12/69</i>
ENG. <i>W. J. Chlar</i>	DATE <i>8/7/69</i>
PROD. <i>[Signature]</i>	DATE <i>8-8-69</i>

TRANSISTOR & DIODE CONVERSION CHART			
DEC		EIA	
D662	IN645	IN4757	SAME
D664	IN3606		
D670	IN3653		
IN3039B	SAME		
DEC3500	2N3500		



TITLE			
INTENSITY AMPLIFIER W682			
SIZE B	CODE CS	NUMBER W682-0-1	REV. E
PRINTED CIRCUIT REV. A			