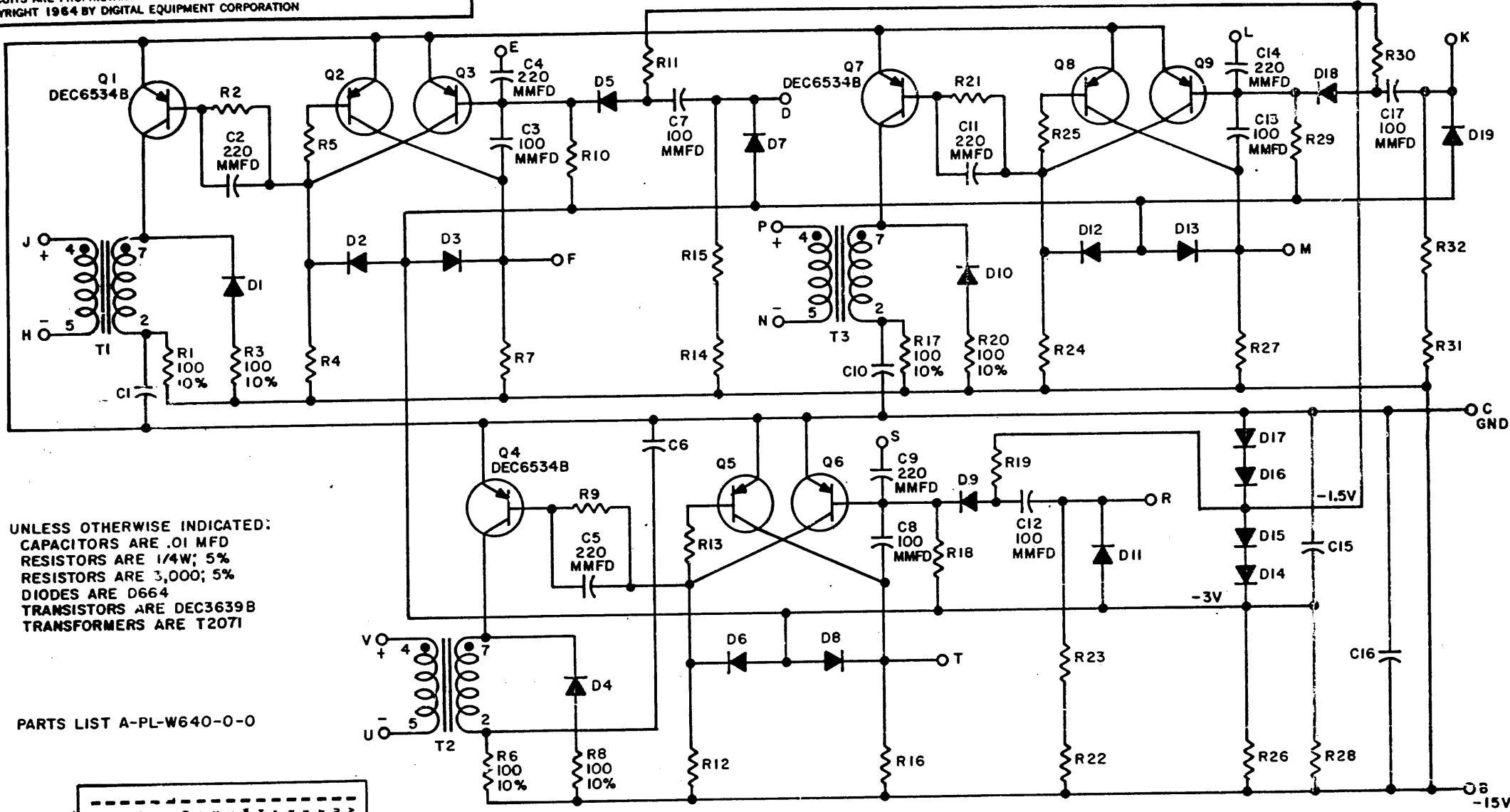


REV L W640-0-1 CS B  
 NUMBER SIZE CODE

THIS SCHEMATIC IS FURNISHED ONLY FOR TEST AND MAINTENANCE PURPOSES. THE CIRCUITS ARE PROPRIETARY IN NATURE AND SHOULD BE TREATED ACCORDINGLY. COPYRIGHT 1964 BY DIGITAL EQUIPMENT CORPORATION



UNLESS OTHERWISE INDICATED:  
 CAPACITORS ARE .01 MFD  
 RESISTORS ARE 1/4W; 5%  
 RESISTORS ARE 3,000; 5%  
 DIODES ARE D664  
 TRANSISTORS ARE DEC3639B  
 TRANSFORMERS ARE T2071

PARTS LIST A-PL-W640-0-0

REV.	CHK	NO.	DATE
H	B876		
J	B181		
K	B816		
L	B945		

DRN.	DATE
H. PORTER	9-22-64
CHK'D N. PERRYMAN	9-29-64
ENG. R. BANK	9-29-64
PROD. 2	

TRANSISTOR & DIODE CONVERSION CHART			
DEC	EIA	DEC	EIA
DEC3639B	2N3639		
DEC6534B	MPS6534		
D664	1N3606		

**digital**  
**EQUIPMENT CORPORATION**  
 MAYNARD, MASSACHUSETTS

TITLE			
PULSE AMPLIFIER W640			
SIZE	CODE	NUMBER	REV.
B	CS	W640-0-1	L
PRINTED CIRCUIT REV.			
J			

DEC FORM NO. DRB 102

PINK

DIST. 324 434 435