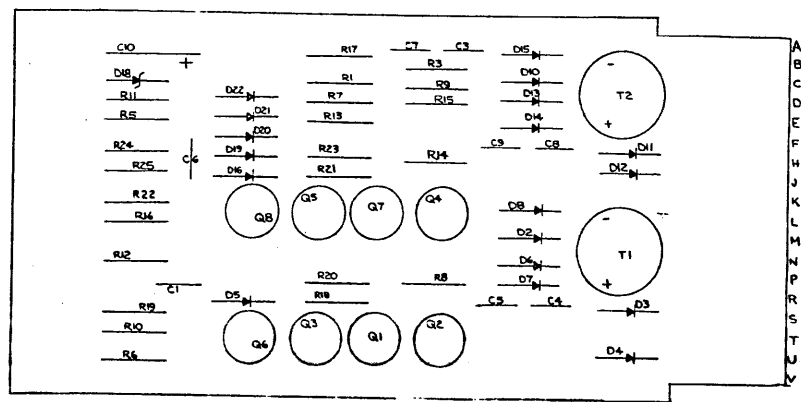
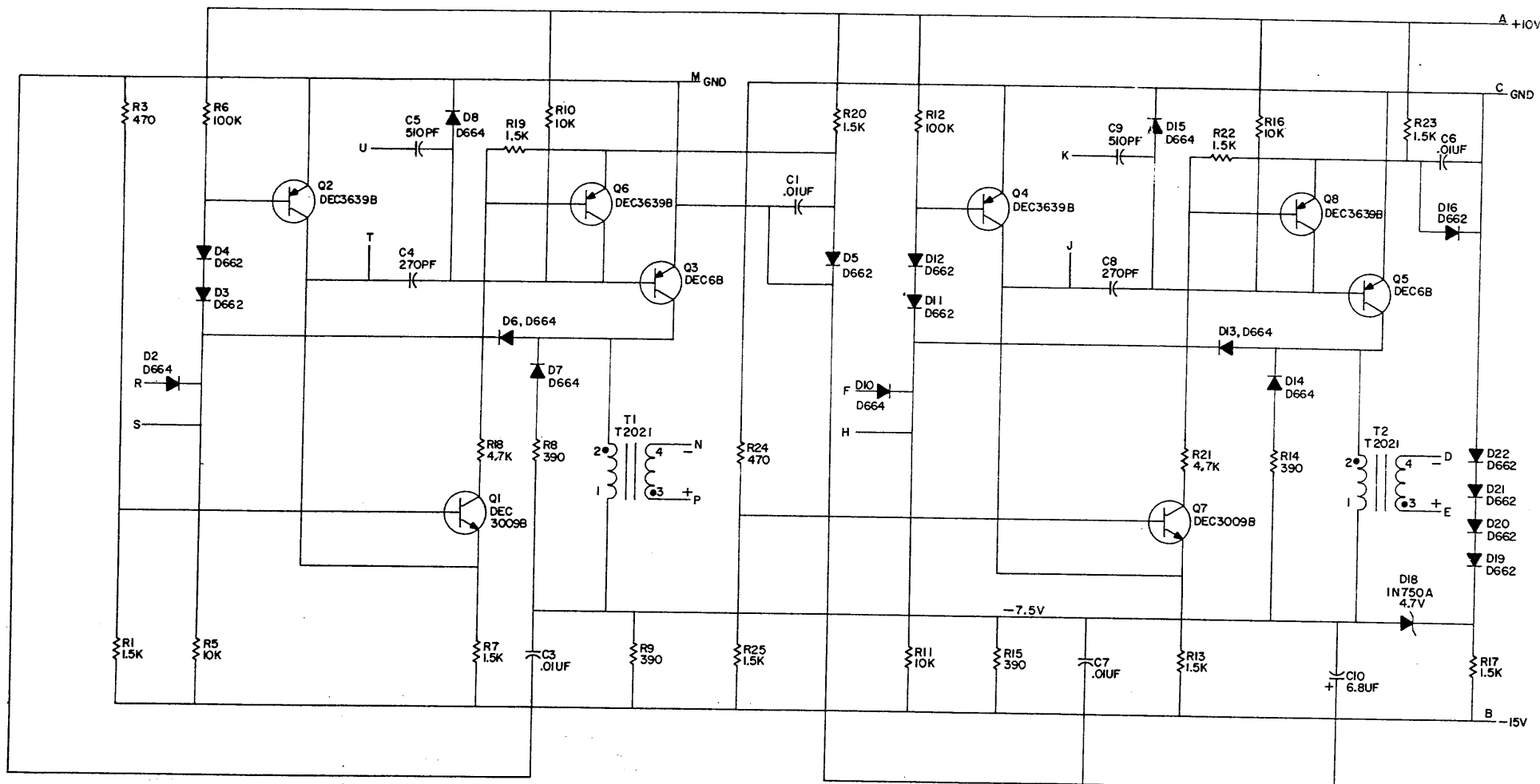


THIS SCHEMATIC IS FURNISHED ONLY FOR TEST AND MAINTENANCE PURPOSES. THE CIRCUITS ARE PROPRIETARY IN NATURE AND SHOULD BE TREATED ACCORDINGLY. COPYRIGHT 1972 BY DIGITAL EQUIPMENT CORPORATION

1-VA-219A  
REV. 10/72



QTY.	REF. DESIGNATION	DESCRIPTION	DEC PART NO.	REV.
2		RYELETS	9C06732	23
1		HANLDE, FLIP CHIP - WHITE	9008337-03	22
2	T1, T2	TRANSFORMER T2021	5200658	21
2	Q3, Q5	TRANSISTOR DEC-6B	1509090-01	20
2	Q1, Q7	TRANSISTOR DEC 3009B-S	1503100	19
4	Q8, Q4, Q6, Q2	TRANSISTOR DEC 3639B	1502762	18
2	R3, R24	RES. 470 $\frac{1}{4}$ W 5%	1300316	17
2	R6, R12	RES. 100K $\frac{1}{4}$ W 5%	1302466	16
4	R5, R10, R11, R16	RES. 10K $\frac{1}{4}$ W 10%	1300481	15
2	R18, R21	RES. 4.7K $\frac{1}{4}$ W 5%	1300447	14
9	R1, 7, 13, 17, 19, 20, 22, 23, 25	RES. 1.5K $\frac{1}{4}$ W 5%	1300391	13
4	R8, 9, 14, 15	RES. 390 $\frac{1}{4}$ W 10%	1300310	12
1	D18	DIODE 1N750A	1100124	11
8	D2, 6, 7, 8, 10, 13, 14, 15	DIODE D664	1100114	10
10	D3, 4, 5, 11, 12, 16, 19, 20, 21, 22	DIODE D662	1100111	9
2	C5, C9	CAP. 510PF 15V 5% D.M.	1002476	8
4	C1, 3, 6, 7	CAP. .01UF 100V 20% MISC	1001610	7
1	C10	CAP. 6.8UF 35V 20% S.TANT	1000067	6
2	C4, C8	CAP. 270PF 100V 5% D.M.	1000022	5
1		ETCHED CIRCUIT BOARD	5003608	4
		MODULE ECO HISTORY	B-MH-W612-YA-6	3
		ASSY/DRILLING HOLE LAYOUT	D-AH-W612-YA-5	2
		X-Y COORDINATE HOLE LOCATION	K-CO-W612-YA-4	1
		DESCRIPTION	DEC PART NO.	REV.

DEC FORM NO. 943 1/72

REVISIONS  
CHKD BY  
DATE

DATE 3/11/72  
BY J. H. Miller  
DATE 1/11/72  
BY J. H. Miller  
DATE 2/1/72  
BY J. H. Miller

DATE	DEC	EMA
3/11/72	DEC	EMA
1/11/72	DEC	EMA
2/1/72	DEC	EMA

**digital** EQUIPMENT CORPORATION  
PULSE AMPLIFIER  
NUMBER W612-YA-1  
PRINTED CIRCUIT REV. 10