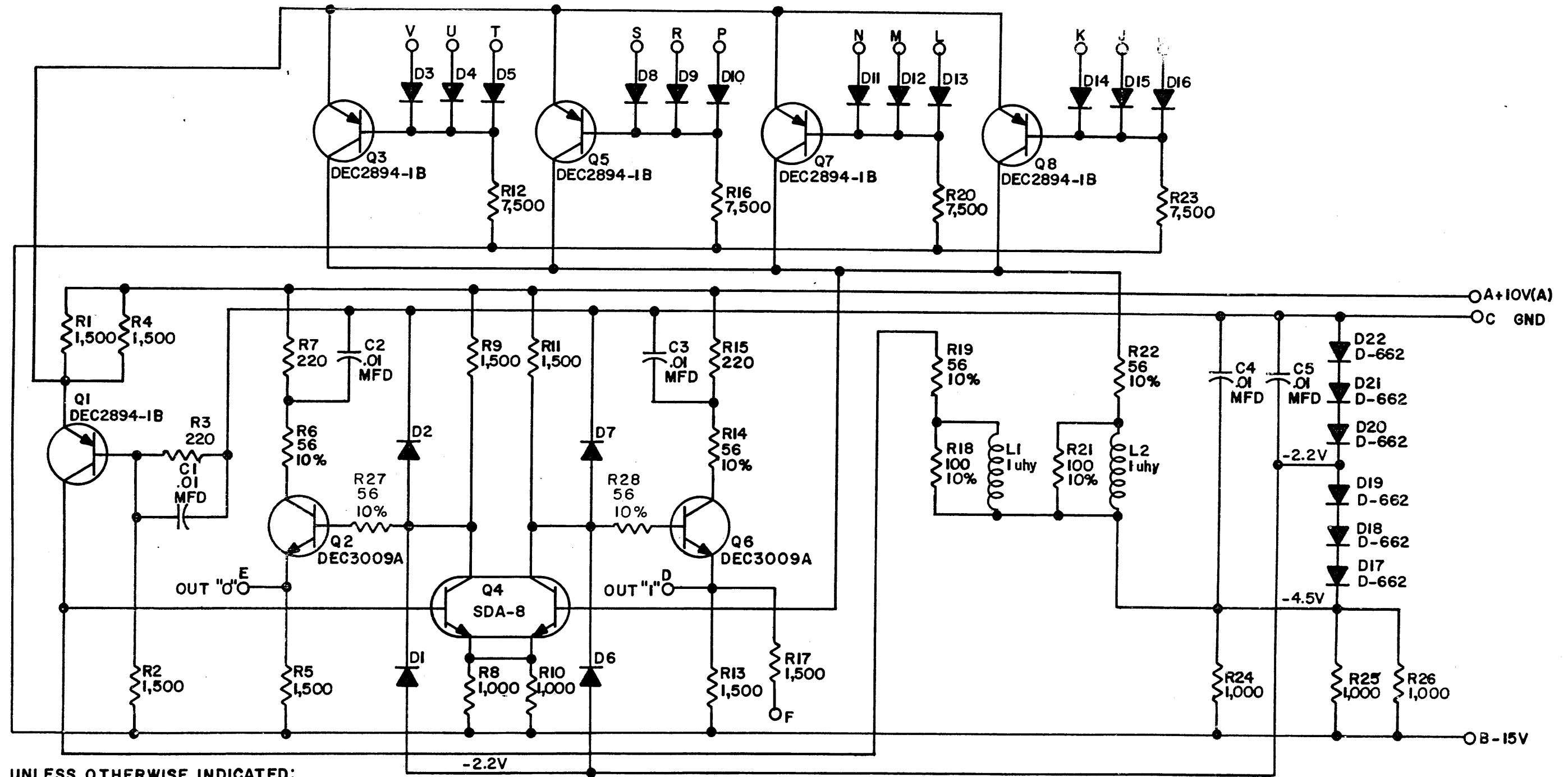


THIS SCHEMATIC IS FURNISHED ONLY FOR TEST AND MAINTENANCE PURPOSES. THE CIRCUITS ARE PROPRIETARY IN NATURE AND SHOULD BE TREATED ACCORDINGLY. COPYRIGHT 1964 BY DIGITAL EQUIPMENT CORPORATION



UNLESS OTHERWISE INDICATED:  
 RESISTORS ARE 1/4 W, 5%  
 DIODES ARE D664

PARTS LIST A-PL-B130-0-0

|   |   |  |   |           |  |                                       |                    |           |
|---|---|--|---|-----------|--|---------------------------------------|--------------------|-----------|
| REVISIONS<br>CHK CHG NO. REV.<br>REV. & REDR.<br>6486 A<br>6775 B | DRN.<br>H.W. PORTER                               | DATE<br>11-19-64                           | TRANSISTOR & DIODE CONVERSION CHART<br>DEC EIA DEC EIA                        |           |  | TITLE<br>3 BIT PARITY<br>CIRCUIT B130 |                    |           |
|   | CHK'D<br>N. PERRYMAN<br>ENG.<br>R. DOANE<br>PROD. | DATE<br>12-3-64<br>DATE<br>12-3-64<br>DATE | DEC2894-1B NONE<br>SDA-8 NONE<br>DEC3009A 2N3009<br>D662 1N645<br>D664 1N36C6 | SIZE<br>B |  | CODE<br>CS                            | NUMBER<br>B130-0-1 | REV.<br>B |