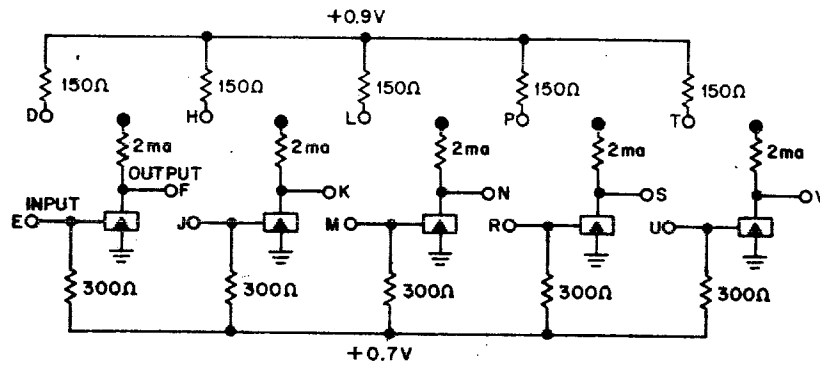


# IBM N LINE TO DEC CONVERTER TYPE W590

**W  
SERIES**



W590 IBM N LINE TO DEC CONVERTER

Each of the 5 inverting amplifiers on this module provides input characteristics compatible with three types of IBM N Lines. Input impedance is nominally 300 ohms, with 100 ohm impedance available by connecting 150 ohm shunts provided. Each circuit has a switching threshold near zero volts, with input biasing included to maintain a definite output state when the input is open-circuited.

Unshunted inputs will tolerate input excursions up to +4v and -6v, so these circuits may also be used to convert IBM T, D, or Q lines if the IBM circuits involved can safely drive the W590 input loads.

### INPUTS:

IBM Line	Floating Input	Lower Level	Input Impedance
N Transmission	+0.8v	(@ -23 ma) -1.5v	(shunted) 100 Ω
C Line	+0.7v	(@ -12 ma) -2.6v	300 Ω
N Logic	+0.7v	(@ -6 ma) -0.8v	300 Ω

Maximum input voltages: Unshunted (300 Ω) inputs: +4v, -6v; Shunted (100 Ω) inputs: ±4v.

**OUTPUTS:** 18 ma at ground. 1 ma at -3v.

**POWER:** +10v(A)/40 ma; -15v(B)/23 ma.

W590 — \$26.00