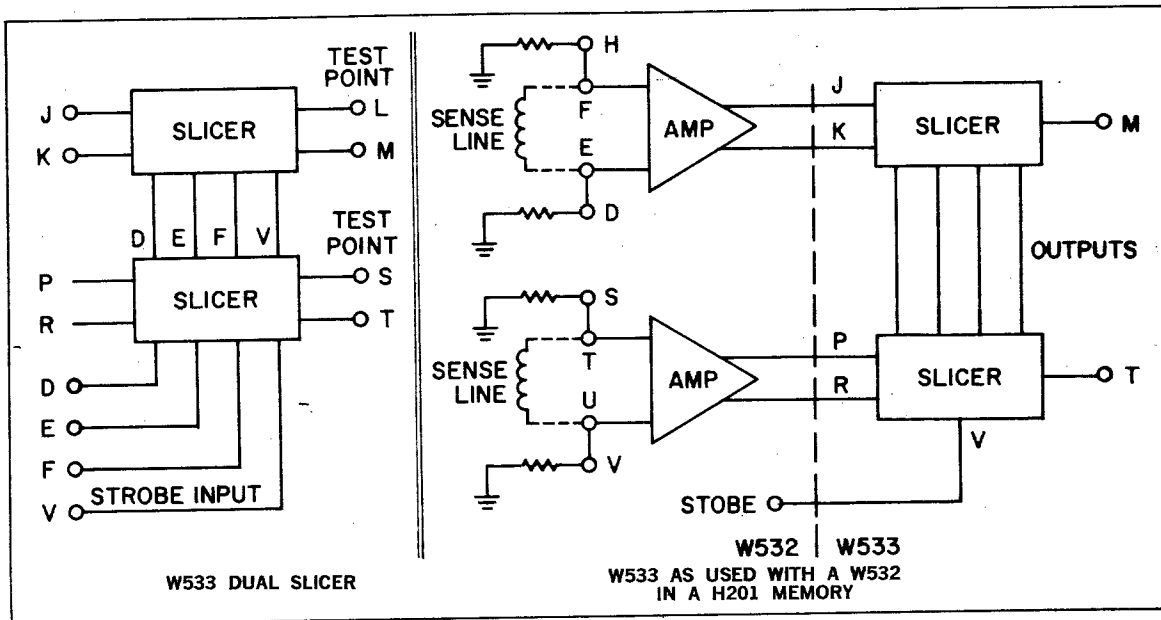


DUAL RECTIFYING SLICER

TYPE W533

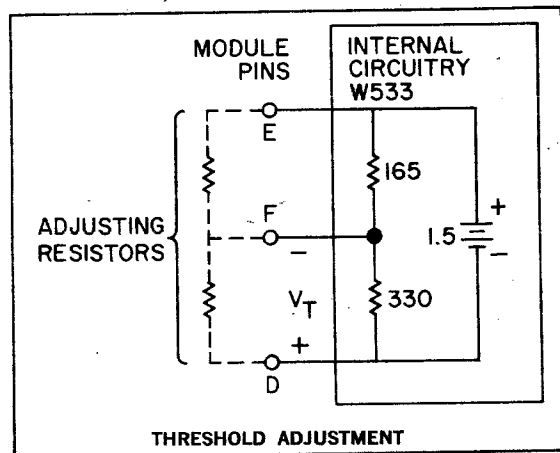
W
SERIES



This module is used to detect amplified magnetic system sense signals from a W532 (see above diagram) and convert them to positive DEC pulses. Detection of signals as narrow as 100 nsec is possible over a wide range of detection thresholds. There are two slicer circuits on each W533. Two input terminals per circuit permit rectification so that bipolar difference signals can be sliced and standardized.

INPUTS: AC-coupled inputs J, K, P, and R have an input impedance of 10k Ω and a 1 μ sec coupling network time constant. When any negative going input exceeds its threshold and a -3 volt to ground strobe pulse is applied at pin V, the output M or T corresponding to the input used will rise to ground. Provided that the strobe pulse is narrower than the time during which the detection threshold is exceeded, the output pulse will be of the same width as the strobe pulse. Input load on pin V is 1 ma to ground. The threshold level is preset at -1 volt, but can be varied by paralleling resistors as shown below. The maximum threshold is -1.5 volts. Pins L and S are test points which will go negative when the

threshold is exceeded. No connections should be made to these points.



OUTPUTS: Identical to those of a R111 or R123. Drive capability is 20 ma to ground and outputs may be paralleled. Delay from input to output is 50 nsec, from strobe to output 70 nsec.

POWER: +10(A)/4 Oma., -15(B)/28 ma.

W533 — \$30.00