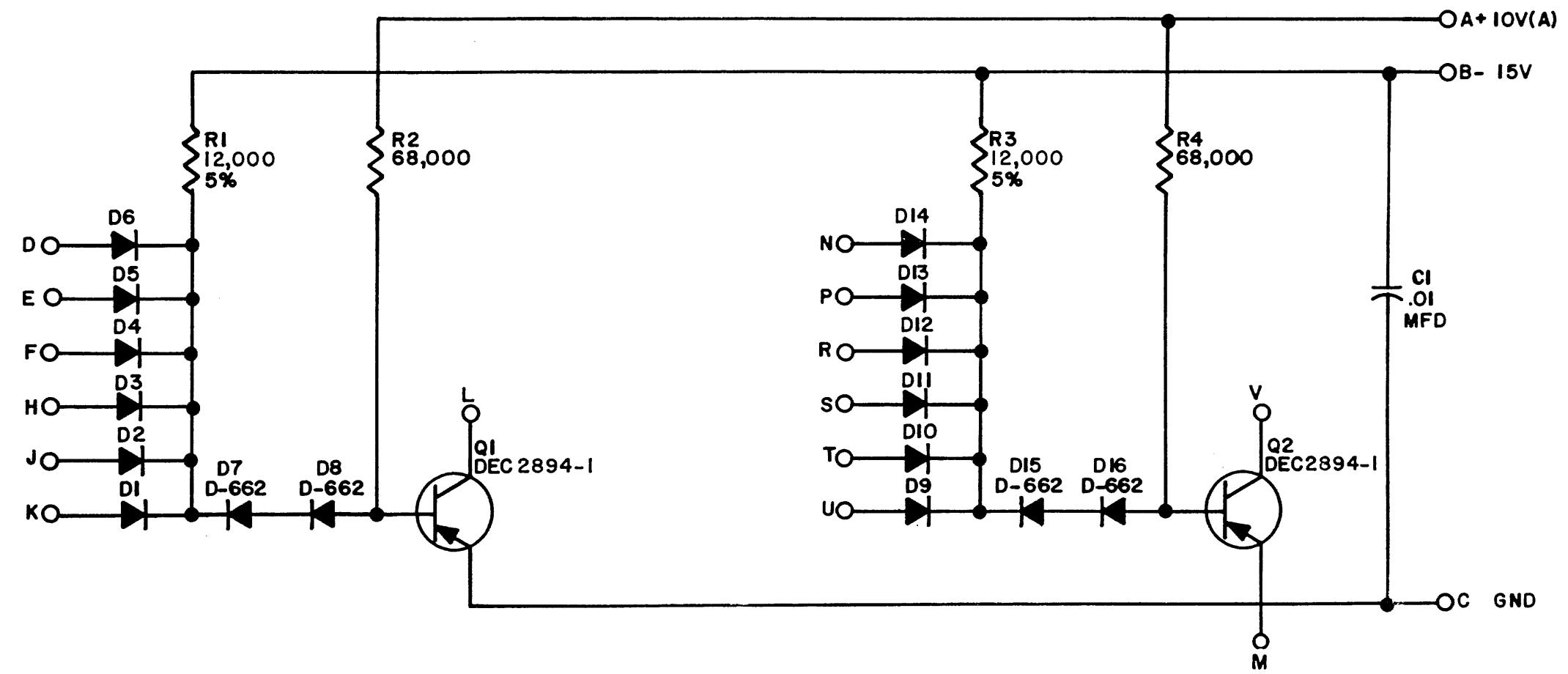


THIS SCHEMATIC IS FURNISHED ONLY FOR TEST AND MAINTENANCE PURPOSES. THE CIRCUITS ARE PROPRIETARY IN NATURE AND SHOULD BE TREATED ACCORDINGLY. COPYRIGHT 1964 BY DIGITAL EQUIPMENT CORPORATION



UNLESS OTHERWISE INDICATED:
 RESISTORS ARE 1/4W; 10%
 DIODES ARE D-664

 < U P L I X Z A B C D >

REVISIONS CHK CHG NO. REV. REV. & REDR. 5675 B	DRN. H. PORTER DATE 5-1-64	DATE 5-1-64	TRANSISTOR & DIODE CONVERSION CHART					TITLE DIODE GATE BII7								
	CHK'D N. PERRYMAN DATE 5-4-64	DATE 5-4-64	DEC EIA DEC2894-1 NONE D662 IN645 D664 IN3606	DEC EIA	digital EQUIPMENT CORPORATION MAYNARD, MASSACHUSETTS	SIZE B		CODE CS	NUMBER BII7-0-1	REV. B						
PRINTED CIRCUIT REV.										C						