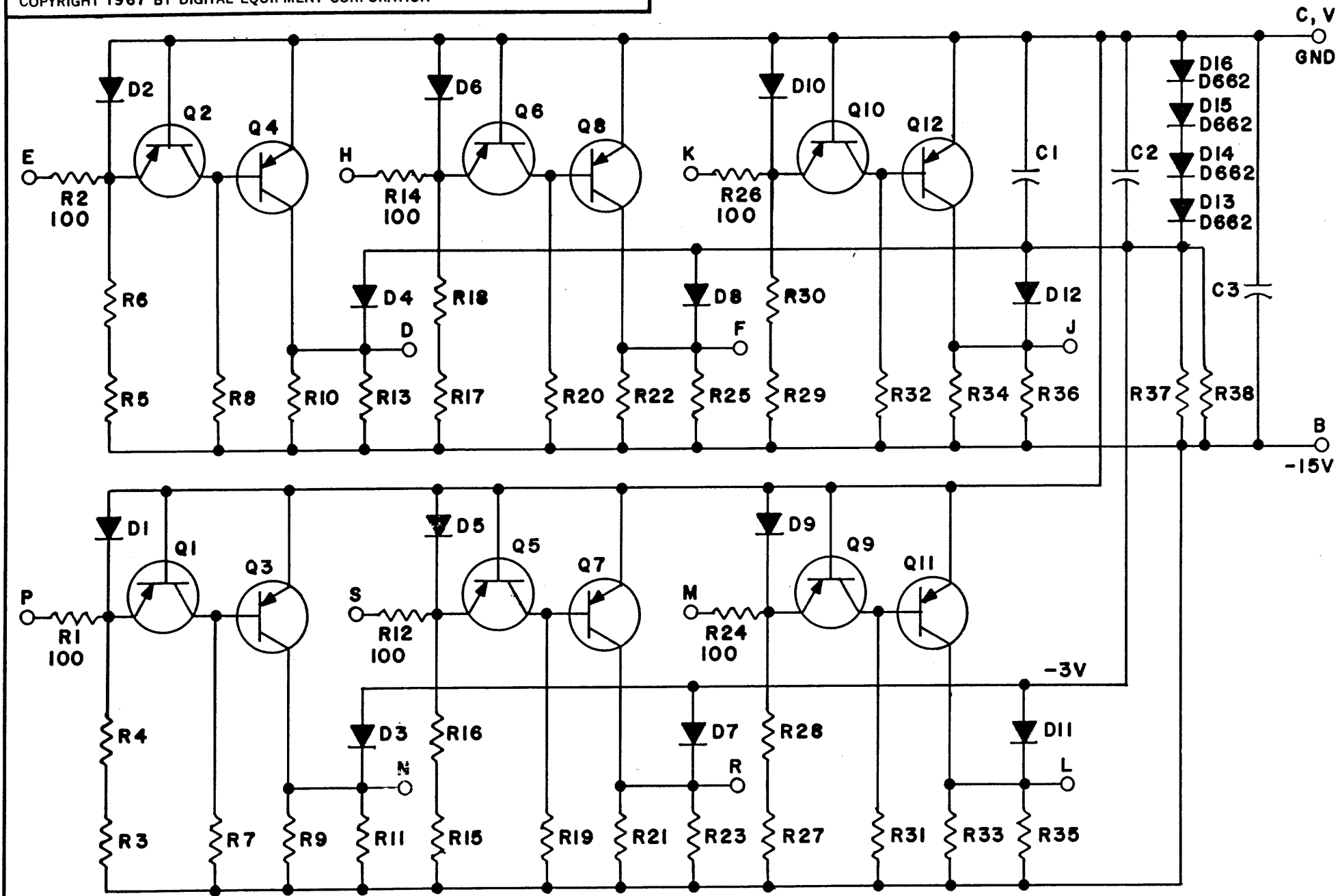


THIS SCHEMATIC IS FURNISHED ONLY FOR TEST AND MAINTENANCE PURPOSES. THE CIRCUITS ARE PROPRIETARY IN NATURE AND SHOULD BE TREATED ACCORDINGLY. COPYRIGHT 1967 BY DIGITAL EQUIPMENT CORPORATION



UNLESS OTHERWISE INDICATED:  
 TRANSISTORS ARE 2N4258  
 RESISTORS ARE 2,700; 1/4W; 5%  
 DIODES ARE D664  
 CAPACITORS ARE .01 MFD



REVISIONS	CHK	CHG	NO.	REV.

DRN. <i>M. Haller</i>	DATE 11-9-67
CHK'D <i>R. Schreiner</i>	DATE 11/10/67
ENG. <i>R. Wynn</i>	DATE 11/22/67
PROD.	DATE

TRANSISTOR & DIODE CONVERSION CHART			
DEC	EIA	DEC	EIA
2N4258	SAME		
D662	1N645		
D664	1N3606		

**digital**  
 EQUIPMENT CORPORATION  
 MAYNARD, MASSACHUSETTS

TITLE POSITIVE LEVEL CONVERTER W514			
SIZE B	CODE CS	NUMBER W514-0-1	REV. A
PRINTED CIRCUIT REV.			